

# TR3

BusPort



Project Name

Type

TR3 -



Model Finish

TR3	MB	Matte Black
	P	White
	ST	Silver Tone
	CP	Custom Finish

- Retractable power and support receptacle. Unit can be furnished with up to 6 receptacles for 120, 230 or 277 volts as required.
- Furnished with two integral wiring compartments, accessible while in the down position, eliminating the need for ceiling access.
- Capable of supporting up to 2500lbs [1130kg] with pipe, electrified bus or truss, which can be mounted in two position.
- A non-electrical model is available for support unit only.
- Equipped with ceiling flange detail for drywall or T-Bar ceiling.

SIDE VIEW [EXTENDED]

FRONT VIEW [RETRACTED]

**Power Connections**

Two 0.75" [19] flexible FMC conduits for electrical connections. Feed wires fed through conduit to wiring compartments. Add 'EX' to model number for 25mm conduit adaptor.

**Mounting**

Two 16" [406] long, 4" [101] high mounting flanges pre-drilled for up to 8 mounting points to building structure. Use grade 5 hardware.

**Ceiling Finish**

Aluminum trim with flange suitable for 0.625" [16] drywall and drop ceiling. Flange hidden behind cover plate when retracted.

**Receptacle/Wiring Compartment**

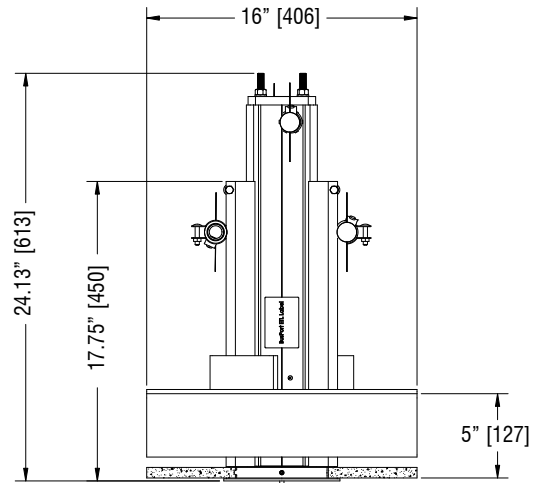
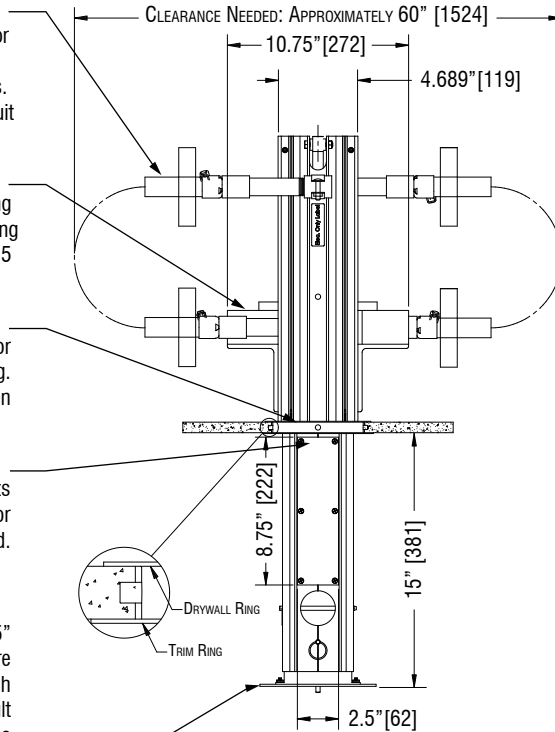
Two chambers for up to three 20A circuits each, or may be wired for audio, video or data. Two blank receptacle plates supplied. Pre-punched plates available separately.

**Support Mounts**

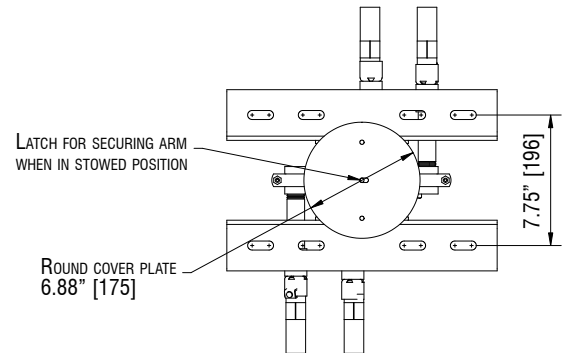
Two sets of 2" [52] holes suitable for 1.5" [33] schedule-40 [STD] steel pipe are furnished at directions 90° apart. Each position has lock pins for safety. Consult for pipe, Bus or truss mounting options suitable for your needs.

**Coverplate/Locking Lever**

6.875" [175] dia. coverplate lays flush against trim ring when unit is stowed. Spring latch secures unit in stowed position and unlocks it for use.



BOTTOM VIEW

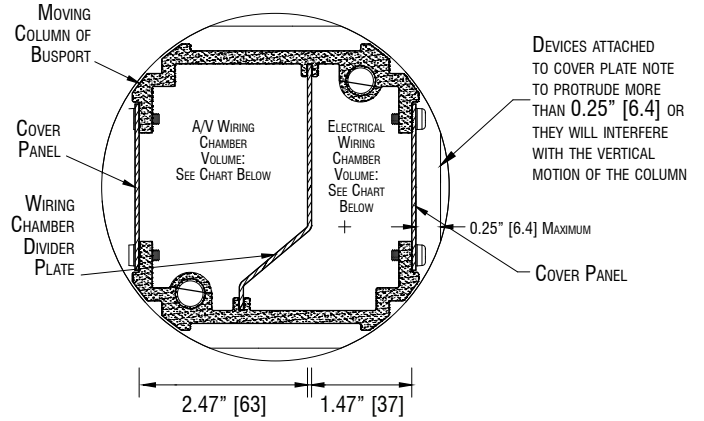


## Receptacle Plates

### Design Guidelines

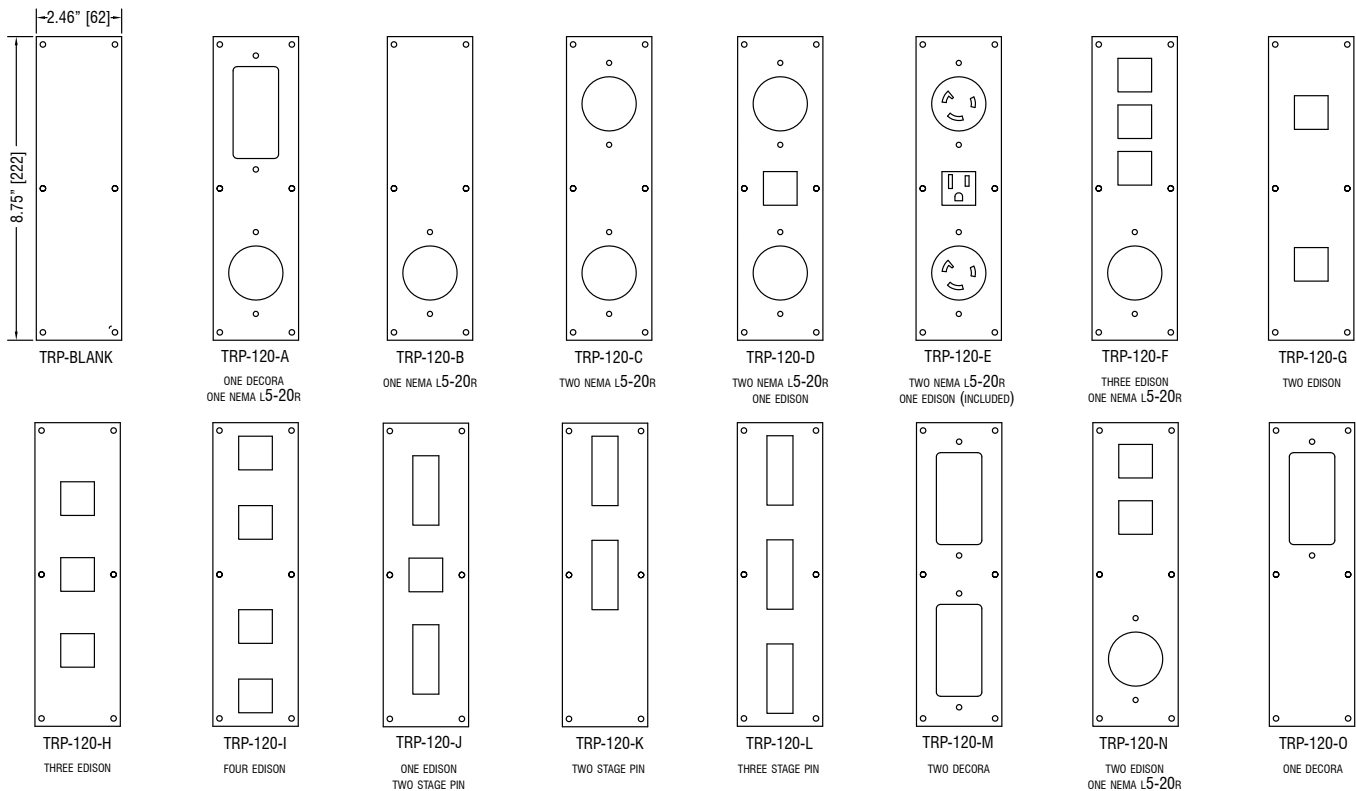
1. Either chamber may be used for line (mains) or low voltage as required by design considerations. Do not mix line (mains) and low voltage in the same chamber without the approval of the local authority having jurisdiction.
2. Installer must ensure proper ground connections at time of assembly.
3. Standard Busport is provided with two blank plates. See plate options for common cutout layouts, available separately. Custom plate layouts are available upon request.
4. Devices assembled to cover plates must not protrude from the surface of the plate more than 0.25" [6.4] or they will interfere with the vertical motion of the column. Refer to section drawing.
5. Each Busport wiring chamber is fed through a 3/4" electrical trade size flexible metallic conduit (USNECS) and associated fittings. Busports may also be ordered with standard 25mm adapters. Installer shall provide any additional conversion hardware required for proper installation.
6. The device as provided is listed for North American use by Intertek Testing Services (ETL) and worldwide use by TUV.

### Section View of Busport showing Volumes & Clearances



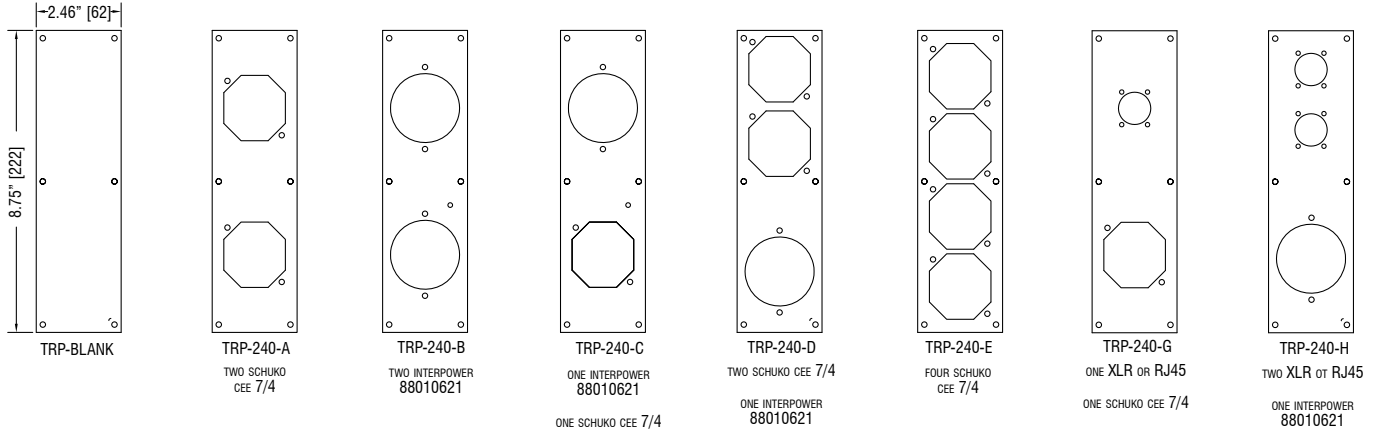
WIRING CHAMBER VOLUMES		
	CUBIC INCHES (CC)	
	A/V	ELECTRICAL
TR3	112 [1835]	78.8 [1291]

### TR3 Busport Plates - 120v

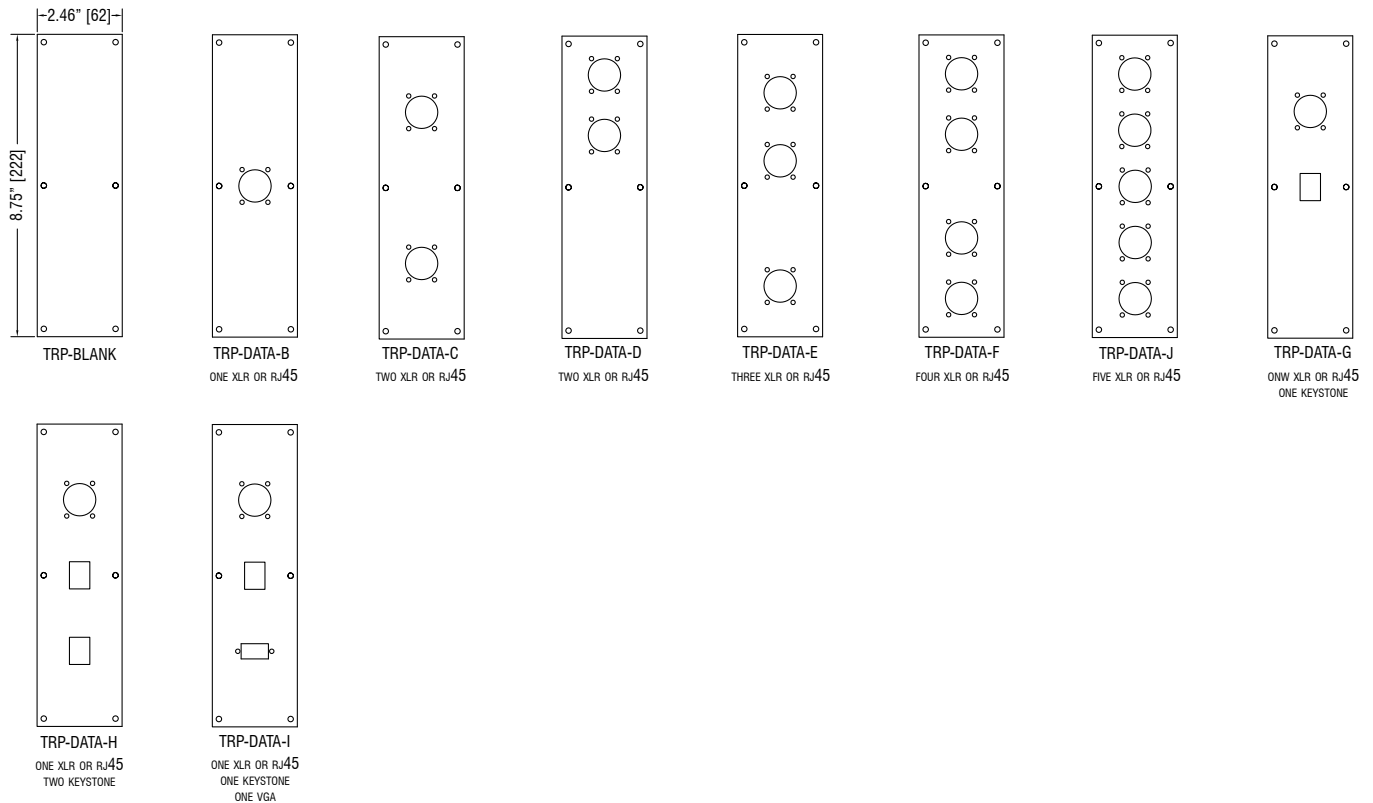


Receptacle Plates (Continued)

TR3 Busport - 240v Power Receptacle Plates



TR3 Busport - Data Receptacle Plates



# TR3

BusPort

Project Name

Type

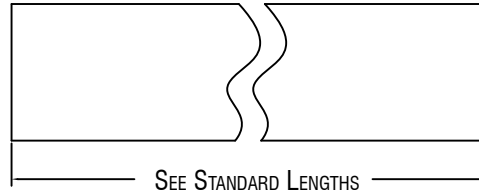
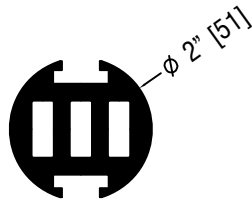


## Accessories

### TRF - Non-Electrical BusPipe



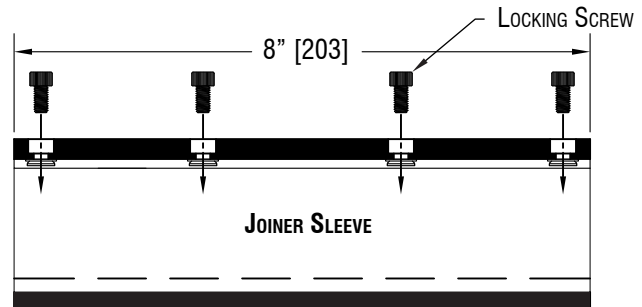
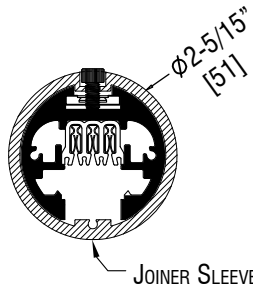
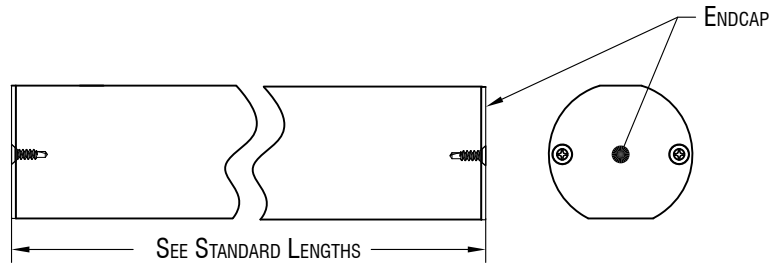
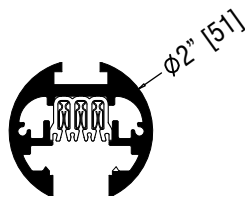
Part Number	Length
TRF-120-E:	120"
TRF-96-E	96"
TRF-72-E	72"
TRF-48-E	48"
TRF-36-E	36"



### TRF - Electrical BusPipe



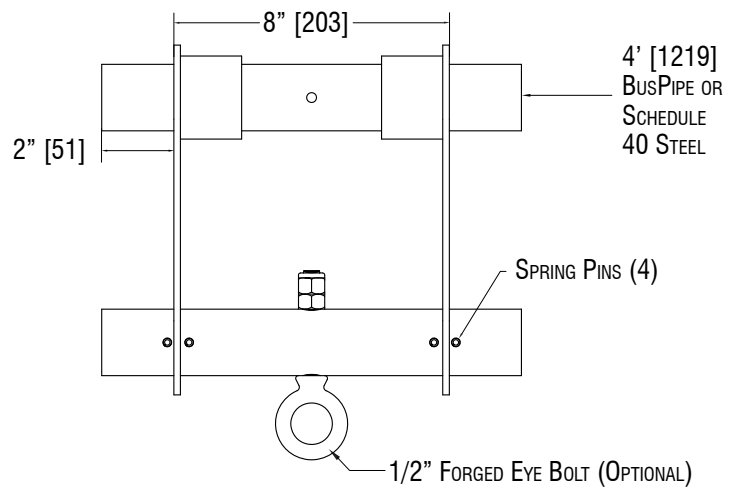
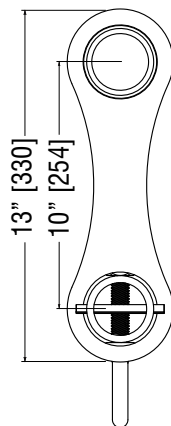
Part Number	Length
TRF-120-A	120"
TRF-96-A	96"
TRF-72-A	72"
TRF-48-A	48"
TRF-36-A	36"



### TR-HD - Sling Bracket and Pipe



Supports up to 2500 lbs (1134kg).



# TR3

BusPort

Project Name

Type

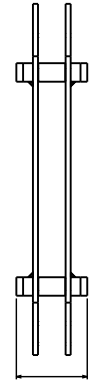
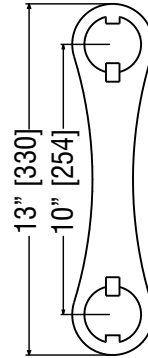


## Accessories (Continued)

### TS2 - BUS STRAP



Straps only - for use with TRF-E BusPipes  
Accommodates (2) BusPipes

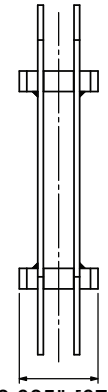
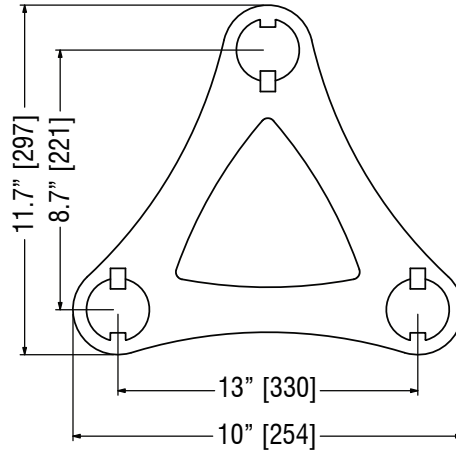


2.625" [67]

### TS3 - BUS TRUSS



Straps only - for use with TRF-E BusPipes  
Accommodates (3) BusPipes



2.625" [67]

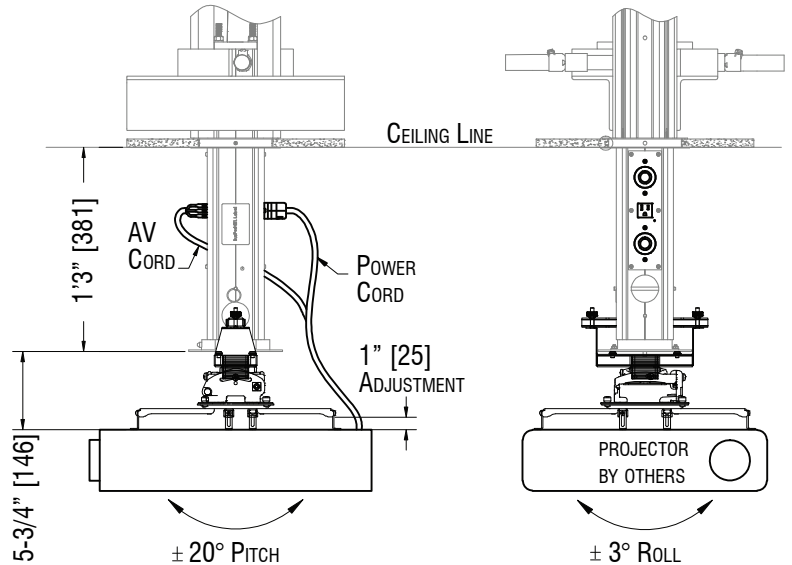
### TR3 PP - PROJECTOR PORT



#### Part Numbers

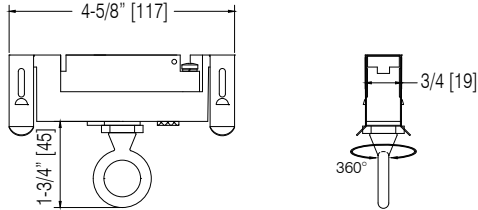
- TR3-PP-W (White)
- TR3-PP-B (Black)
- TR3-PP-S (Silver)

Supplied with 1-1/2" NPT Removable Nipple for Other Mounting Methods.



Accessories (Continued)

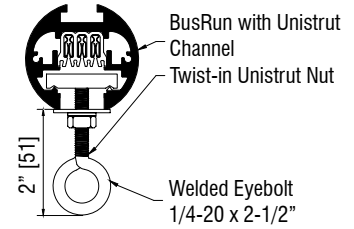
### Sign Hanger\*



Supports 40lb (18kg) Maximum Static Vertical Load

Code	Adaptor	Finish
BSH	9ED	P=White MB = Matte Black ST = Silver Tone R = Unfinished

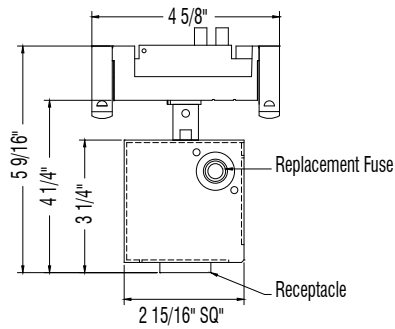
### Loadmatic Hanging



Supports up to 100lb [45kg] Maximum Static Vertical Load

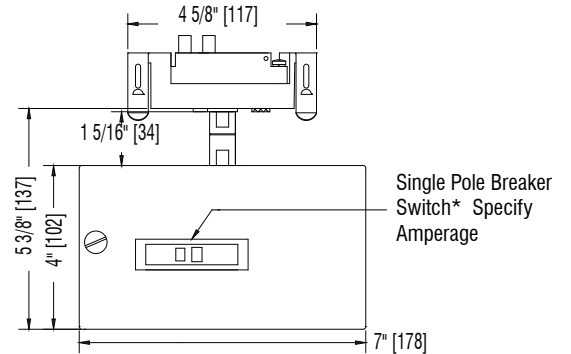
Code	Finish
BSH-UNI-R	P=White MB = Matte Black R = Unfinished

### PowerDown Box\*



Code/Amperage	Adaptor / Voltage	Finish
3-Prong Edison Plug		P=White
BPT-P15F	9AD-A (120 Volts)	MB=Matte Black
Twist Lock		ST=Silver Tone
BPT-T15F	9AD-A (120 Volts)	CP=Custom Finish
BPT-T20F	9AD-C (277 Volts)	
NEMA Guide	120 volt	277 volt
BPT-P15F	5-15R	
BPT-T15F	L5-15R	L7-15R
BPT-T20F	L5-20R	L7-20R

### PowerDown Breaker\*



Code/Amperage	Adaptor / Voltage	Finish
BPT-K15B	9AD (120 Volts)	P=White
BPT-K20B		MB=Matte Black
BPT-K30B		ST=Silver Tone
		CP=Custom Finish

Includes knockouts

\* Includes 11" Safety Cable