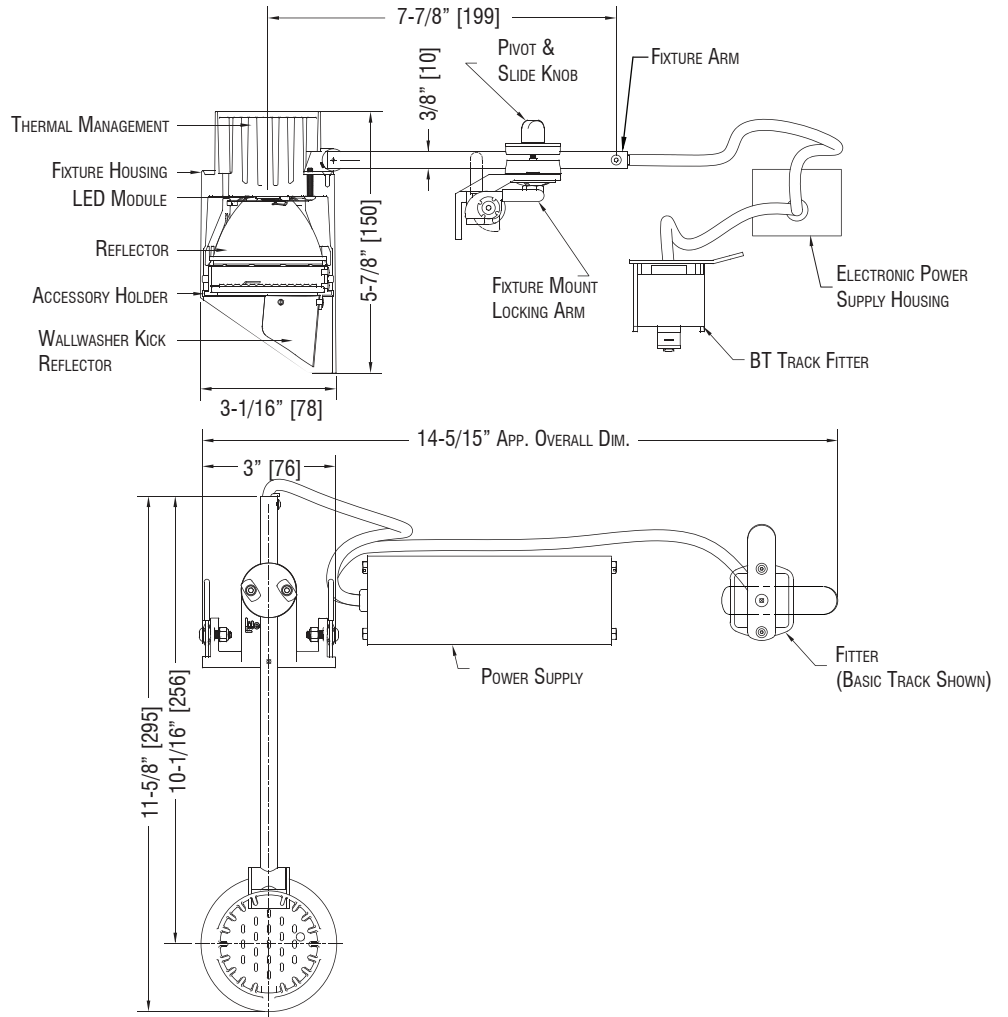


S3W Xicato Static White Wallwasher

Project Name

Type



Input Requirements

2000 Lumens	120VAC/0.3A/27W
	240VAC/0.2A/30W
	277VAC/0.1A/31W
1400 Lumens	120VAC/0.2A/18W
	240 VAC/0.1A/19W
	277 VAC/0.1A/19W

Enter Catalog Number Sequentially from Left to Right

S3W - [] - [] - []

Model	Lumens/CRI	CCT	Adaptor	Dimming	Level	Options	Voltage	Finish
S3W	L20 2000/95	27 2700	BT Basic Track	E ELV	0 10%	N/A	A 120	P White
	L14 1400/95	30 3000					D 240	MB Black
		35 3500	ST2 2-Circuit Stucchi	Z 0-10	D Dark		C 277	CP Custom
		40 4000	ST3 3-Circuit Stucchi	M DMX	D DALI			

Dimming Note

This fixture is provided with LED Drivers suitable for the dimming protocol specified. Dimming performance may vary based on dimmer model or system being used. If exact dimming performance is required, Litelab recommends testing the Litelab fixture with the specified dimmer.

Accessories: See Page 4

- OL-DF-g Beam Softening Film
- OL-TD-g Beam Softening Lens
- OL-30x60-g Universal Spread Lens (Included)

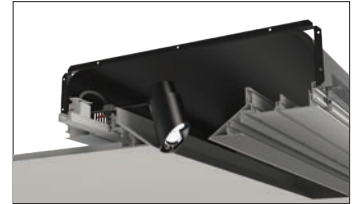
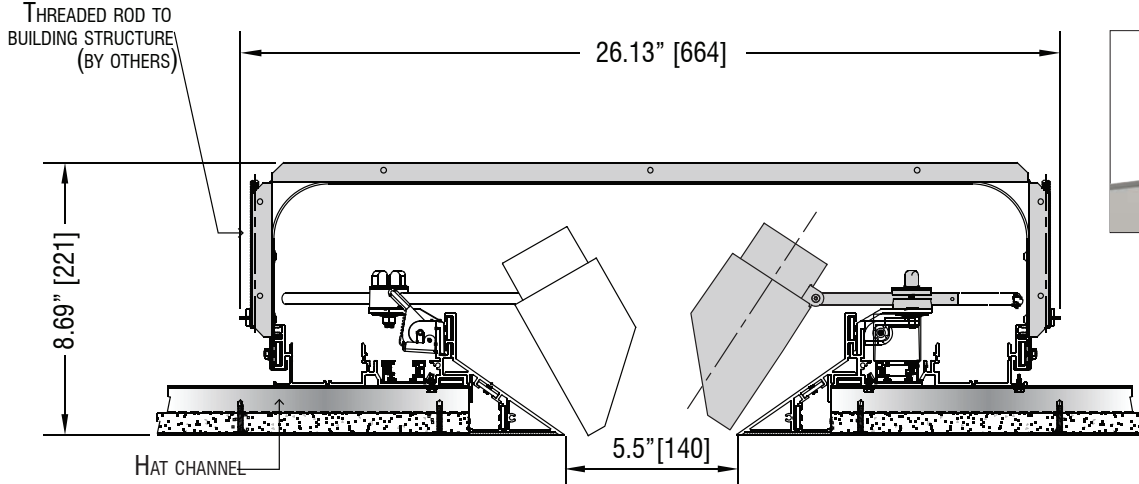


251 Elm Street, Buffalo, NY 14203 USA
800-238-4120 | www.litelab.com



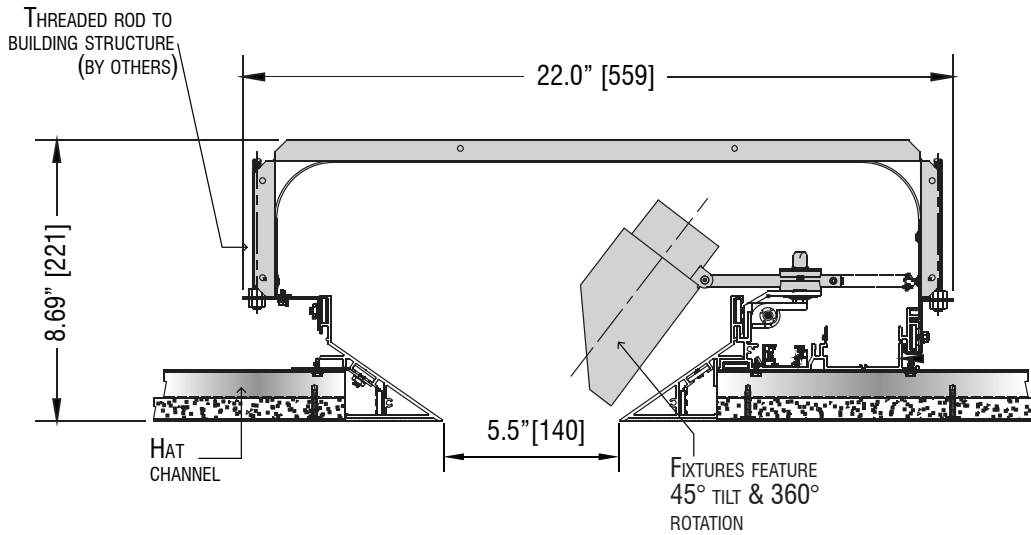
Details

S3W Fixture shown in H09 Housing



S3W FIXTURE SHOWN IN H09 HOUSING

S3W Fixture shown in H10 Housing



S3W FIXTURE SHOWN IN H10 HOUSING

S3W

Xicato
Static White
Wallwash

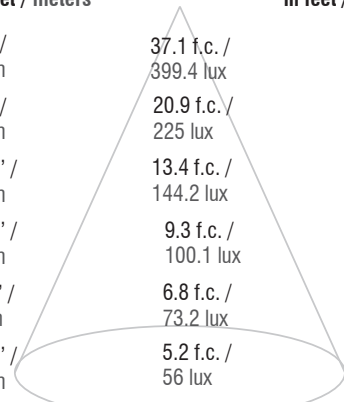
Project Name

Type

Photometrics

S3W-L20 Wallwash

Mounting Height in feet / meters	FC / Lux	Beam Diameter in feet / meters
6.0' / 1.8m	37.1 f.c. / 399.4 lux	4.3' / 1.3m
8.0' / 2.4m	20.9 f.c. / 225 lux	5.7' / 1.7m
10.0' / 3.0m	13.4 f.c. / 144.2 lux	7.2' / 2.2m
12.0' / 3.7m	9.3 f.c. / 100.1 lux	8.6' / 2.6m
14.0' / 4.3m	6.8 f.c. / 73.2 lux	10.1' / 3.1m
16.0' / 4.9m	5.2 f.c. / 56 lux	11.5' / 3.5m

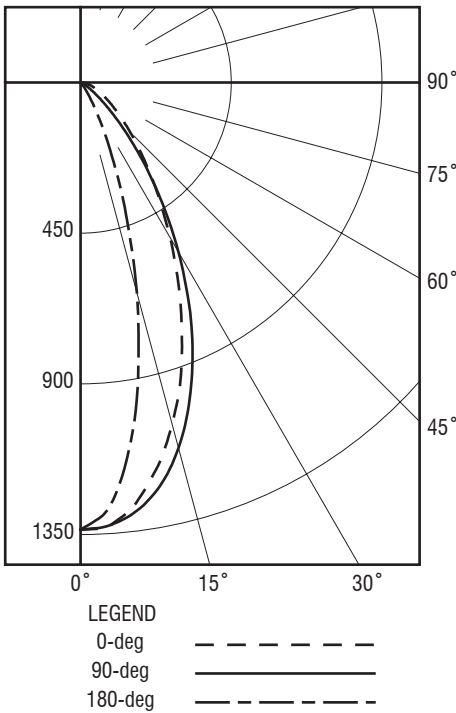


CBCP:	See Candela Distribution		
Efficacy:	46.9 lm/w		
Delivered Lumens:	1027 lm		
Plane:	0°	90°	180°
Spacing Criteria:	0.79	0.85	0.4937.1

CANDELA DISTRIBUTION

	0.0	45.0	90.0	135.0	180.0	FLUX
0	1335	1335	1335	1335	1335	
5	1309	1322	1316	1264	1229	119
15	1056	1156	1130	811	649	273
25	702	848	780	334	180	275
35	397	489	405	86	26	188
45	209	219	147	9	2	95
55	110	88	39	1	0	42
65	57	38	8	0	0	20
75	29	18	2	0	0	9
85	13	6	0	0	0	4
90	7	3	0	0	0	0
95	4	2	0	0	0	1
105	1	1	0	0	0	0
115	0	0	0	0	0	0
125	0	0	0	0	0	0
135	0	0	0	0	0	0
145	0	0	0	0	0	0
155	0	0	0	0	0	0
165	0	0	0	0	0	0
175	0	0	0	0	0	0
180	0	0	0	0	0	0

S3W-L20 Wallwash- Polar Diagram



Accessories

CUSTOM DISTRIBUTION FILMS AVAILABLE ON REQUEST.

SIZE CODE G: 2.529" [64MM]

DIFFUSION FILM: 0.25MM (0.01") FILM SOFTENS BEAM EDGES

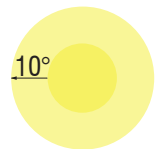
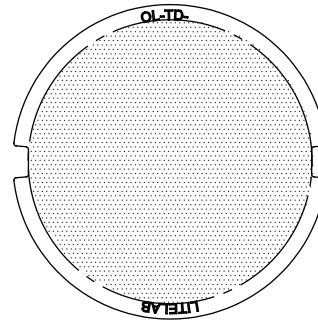
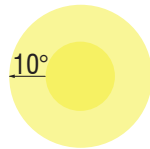
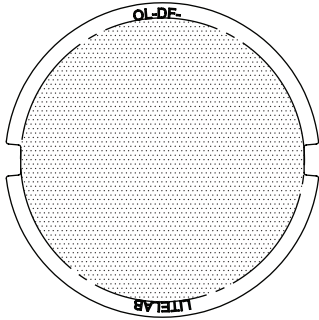
TEXTURED DIFFUSION LENS: 3MM (0.1") TEXTURED LENS SOFTENS BEAM EDGES

OL-DF-G (DIFFUSION FILM)

DISTRIBUTION DIAGRAM

OL-TD-G (POLYCARBONATE DIFFUSION LENS)

DISTRIBUTION DIAGRAM



UNIVERSAL SPREAD LENS: 3MM (0.1") LENS SPREADS LIGHT UNIVERSALLY FOR WIDER DISTRIBUTION

OL-60x30-G (UNIVERSAL SPREAD LENS - INCLUDED)

