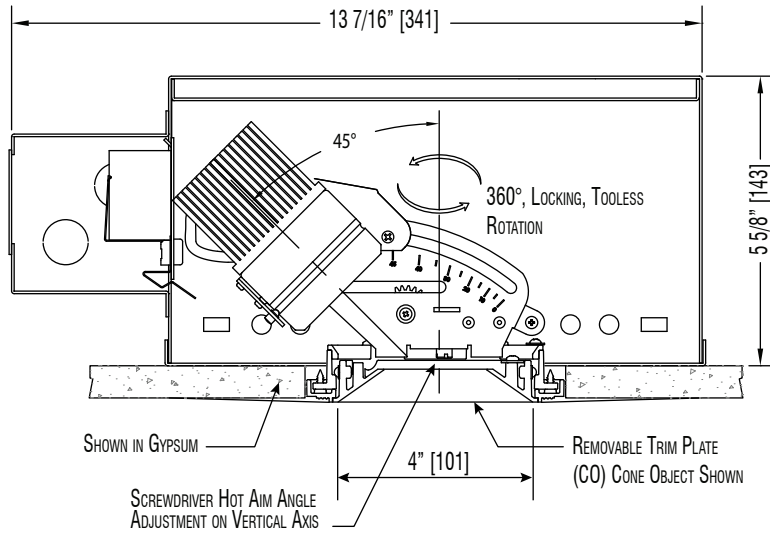
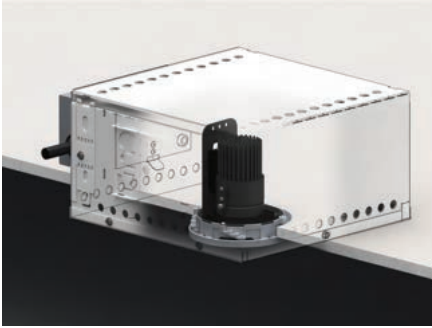


RAD

Recessed
Adjustable
Downlight

Project Name

Type



Input Requirements

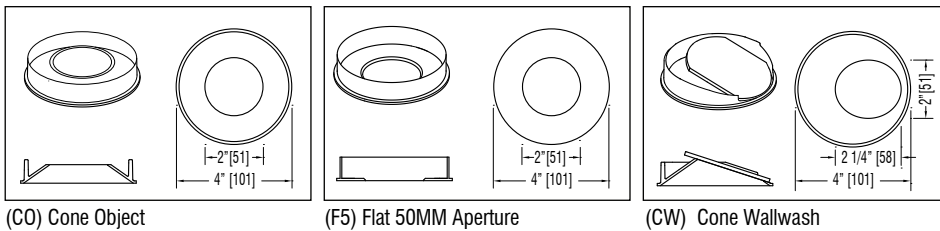
1300 Lumens	120 VAC/0.2A/22W
1100 Lumens	240 VAC/0.1A/23W

Enter Catalog Number Sequentially from Left to Right

R - [] - [] - [] - [] - []

Model	Type	Lumens/CRI	CCT	Dimming	Voltage	Ceiling	Aperture Style	Finish	Optics
R	O ADJUSTABLE OBJECT	L13 1300/92	27 2700	E ELV	A 120	G Gypsum:	CO CONE OBJECT	P White	N Narrow
	W WALLWASHER	L11 1100/98	30 3000	Z 0-10	D 240	1/2" - 3/4"	CW CONE WASH	MB Black	(15°)
	F FIXED DOWNLIGHT		35 3500	M DMX	C 277	W Wood:	F5 FLAT OBJ (50MM)	BR Brushed	M Medium
			40 4000	D DALI		0" - 1"		CP Custom	(25°)
									W Wide
									(35°)
									WW Wallwash

Trim Plates



ENTER RAL OR
OTHER FINISH
CODE

Housing

Constructed of .05" aluminum, the RAD housing is one of the industry's smallest, code compliant enclosures, providing minimum on center spacing as little as 11" (275mm).

Dimming Note

This fixture is provided with LED Drivers suitable for the dimming protocol specified. Dimming performance may vary based on dimmer model or system being used. If exact dimming performance is required, Litelab recommends testing the Litelab fixture with the specified dimmer.

Accessories: See Page 3

- OL-DF-a Beam Softening Film
- OL-TD-a Beam Softening Lens
- OL-10x40-a Linear Spread Lens
- OL-10x60-a Linear Spread Lens
- OL-30x60-a Universal Spread Lens
- LVH/a Hexell Louver

Accessories

CUSTOM DISTRIBUTION FILMS AVAILABLE ON REQUEST.

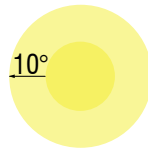
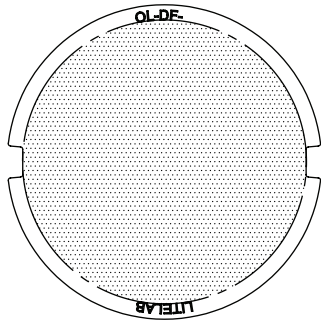
SIZE CODE A: 1.95" [50MM]

DIFFUSION FILM: 0.25MM (0.01") FILM SOFTENS BEAM EDGES

TEXTURED DIFFUSION LENS: 3MM (0.1") TEXTURED LENS SOFTENS BEAM EDGES

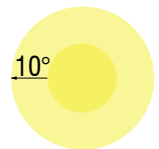
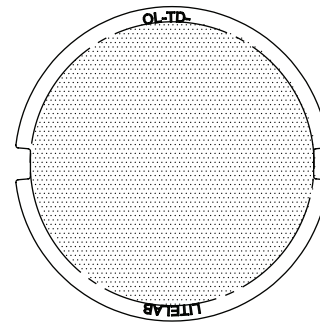
OL-DF-A (DIFFUSION FILM)

DISTRIBUTION DIAGRAM



OL-TD-A (POLYCARBONATE DIFFUSION LENS)

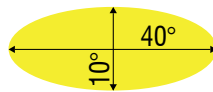
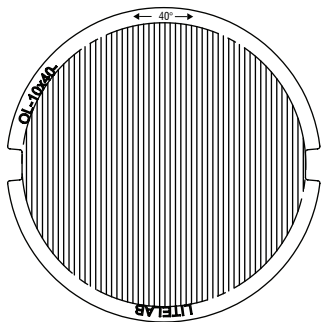
DISTRIBUTION DIAGRAM



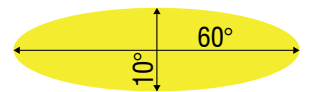
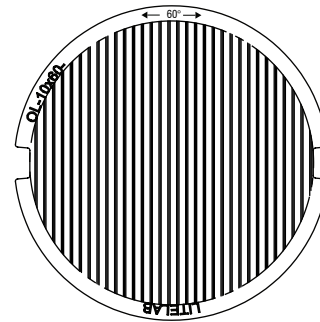
40° LINEAR SPREAD LENS: 3MM (0.1") LENS SPREADS LIGHT LINEARLY FOR LONG OBJECTS

60° LINEAR SPREAD LENS: 3MM (0.1") LENS SPREADS LIGHT LINEARLY FOR LONG OBJECTS

OL-10x40-A (LINEAR SPREAD LENS)



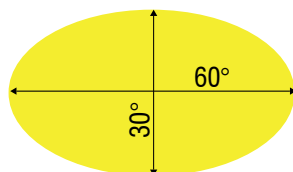
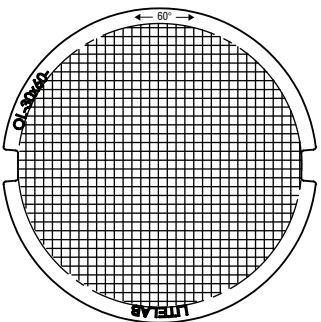
OL-10x60-A (LINEAR SPREAD LENS)



UNIVERSAL SPREAD LENS: 3MM (0.1") LENS SPREADS LIGHT UNIVERSALLY FOR WIDER DISTRIBUTION

HEXCELL LOUVER: REDUCES HIGH-ANGLE GLARE TO PROVIDE COMFORTABLE LIGHTING

OL-60x30-A (UNIVERSAL SPREAD LENS)



LVH/A (HEXCELL LOUVER)

