

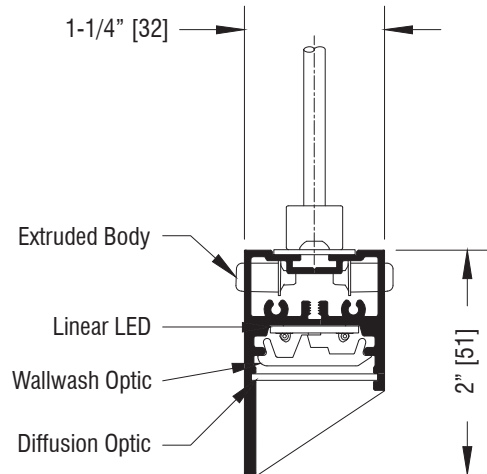
# L-WH

Static White  
Linear LED



Project Name

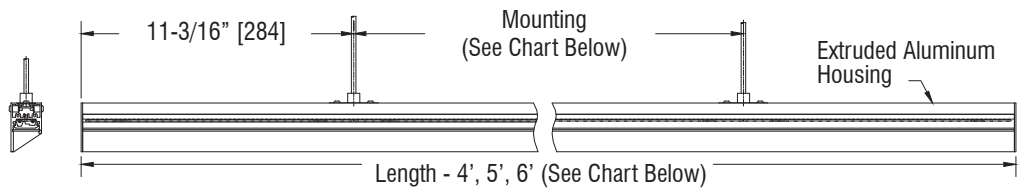
Type



Optic	
OL-ASYM-o	Assymetrical

### Input Requirements

lm/ft.	VAC	4'	5'	6'
1000	120	.5A/58W	.7A/73W	.8A/87W
	240	.3A/58W	.4A/74W	.5A/88W
	277	.3A/58W	.4A/74W	.4A/88W
700	120	.4A/37W	.5A/48W	.5A/58W
	240	.2A/38W	.3A/48W	.3A/59W
	277	.2A/38W	.3A/49W	.3A/59W



Enter Catalog Number Sequentially from Left to Right

Model	Mounting	Lumens	CRI	CCT
L4W	4' H Hanging	L10 1000	9 95	27 2700
L5W	5'	L07 700		30 3000
L6W	6'			35 3500

FIXTURE LENGTH & MOUNTING INFORMATION			
NOMINAL	LENGTH	MOUNTING	PLUG-IN
4'	44-3/8"	1'-10"	N/A
5'	66-3/8"	3'-8"	2'-1"
6'	77-3/8"	4'-7"	3'-0"

### Dimming Note

This fixture is provided with LED Drivers suitable for the dimming protocol specified. Dimming performance may vary based on dimmer model or system being used. If exact dimming performance is required, Litelab recommends testing the Litelab fixture with the specified dimmer.

### Flush Fit BusRun Adaptor

Litelab's flush fit BusRun adaptor recesses entirely inside BusRun to provide a clean aesthetic. BusRun fitters are dimmable to 1% using an ELV dimming system.

\* Voltage 'F' Fitters are for 2-Circuit 240 volt BusRun.

Adaptor	Dimming	Level
9TC BusRun Clipless	E ELV	1 1%
9TD BusRun Deep		
9TS BusRun Shallow		

9HC BusRun Clipless w/ Driverbox	E ELV	0 10%
	W Wireless	C Casambi
9HD BusRun Deep w/ Driverbox	A	Avi-On
	Z	Zigbee
9HS BusRun Shallow w/ Driverbox	T	Athena
		RF
BT Basic Track		

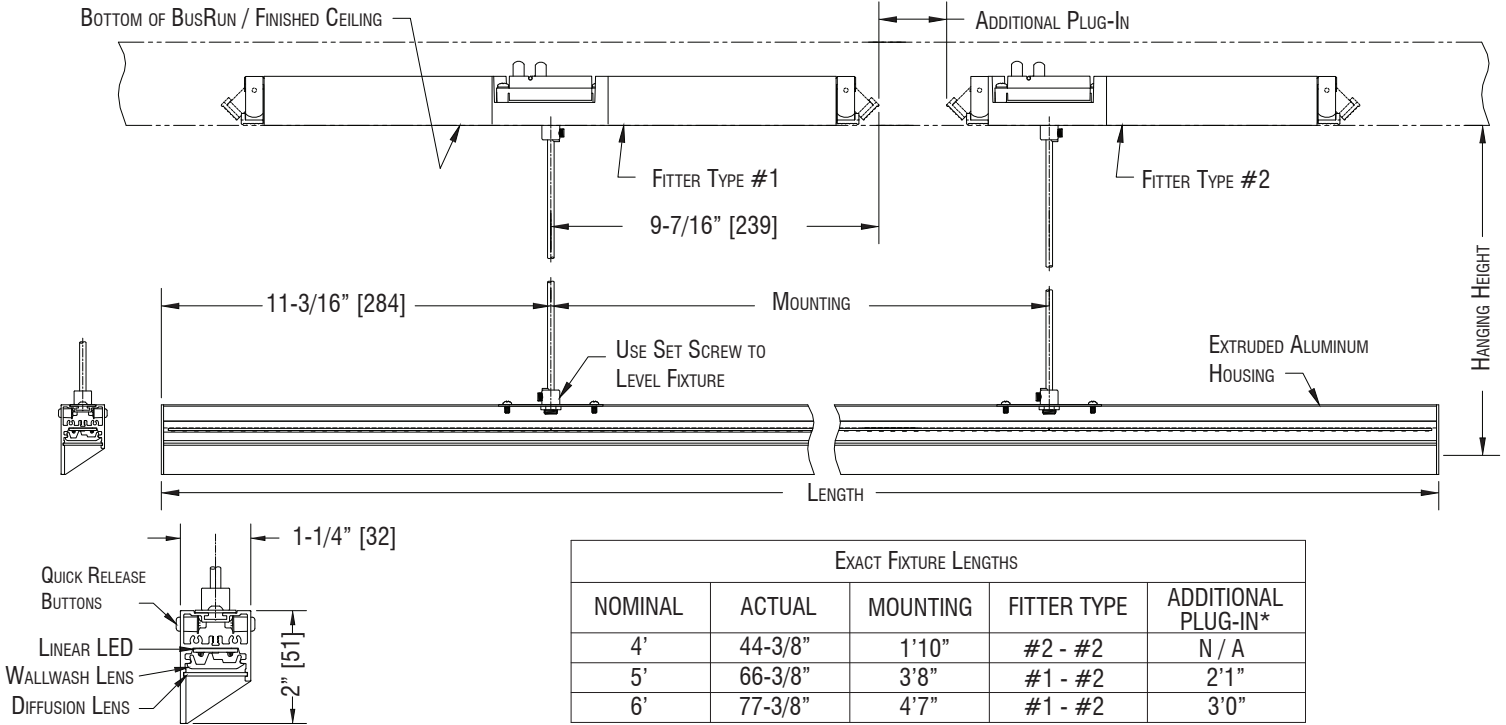
ST2 2-Circuit Stucchi	E ELV	0 10%
ST3 3-Circuit Stucchi	Z 0-10	D Dark
3L 5" Canopy	M DMX	
5L 3.5" QC Canopy	D DALI	
7L 2" QC Canopy (Remote Driver Only)		

Voltage	Finish	Cord Length
A 120	P White	ENTER CORD LENGTH
D 240	MB Black	IN INCHES
F* 240	BR Brushed	
C 277	CP Custom	

ENTER RAL OR OTHER FINISH CODE

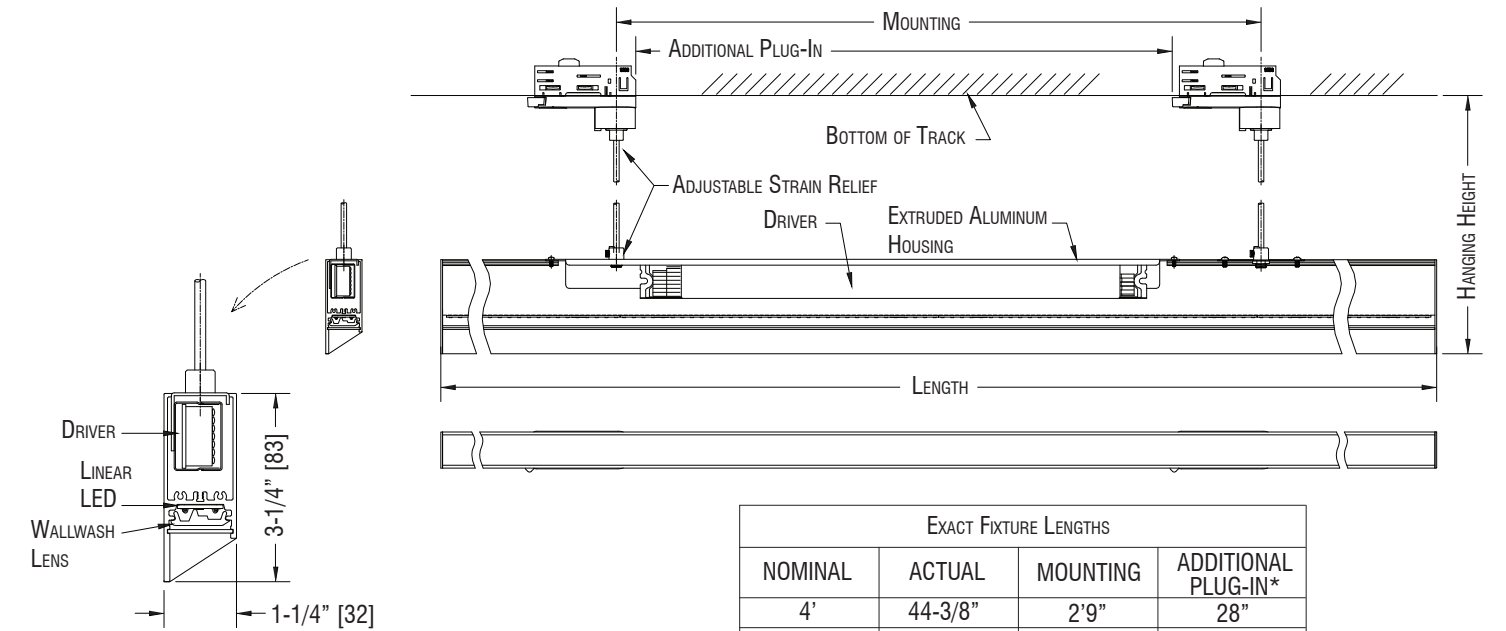
Mounting

BusRun



EXACT FIXTURE LENGTHS				
NOMINAL	ACTUAL	MOUNTING	FITTER TYPE	ADDITIONAL PLUG-IN*
4'	44-3/8"	1'10"	#2 - #2	N / A
5'	66-3/8"	3'8"	#1 - #2	2'1"
6'	77-3/8"	4'7"	#1 - #2	3'0"

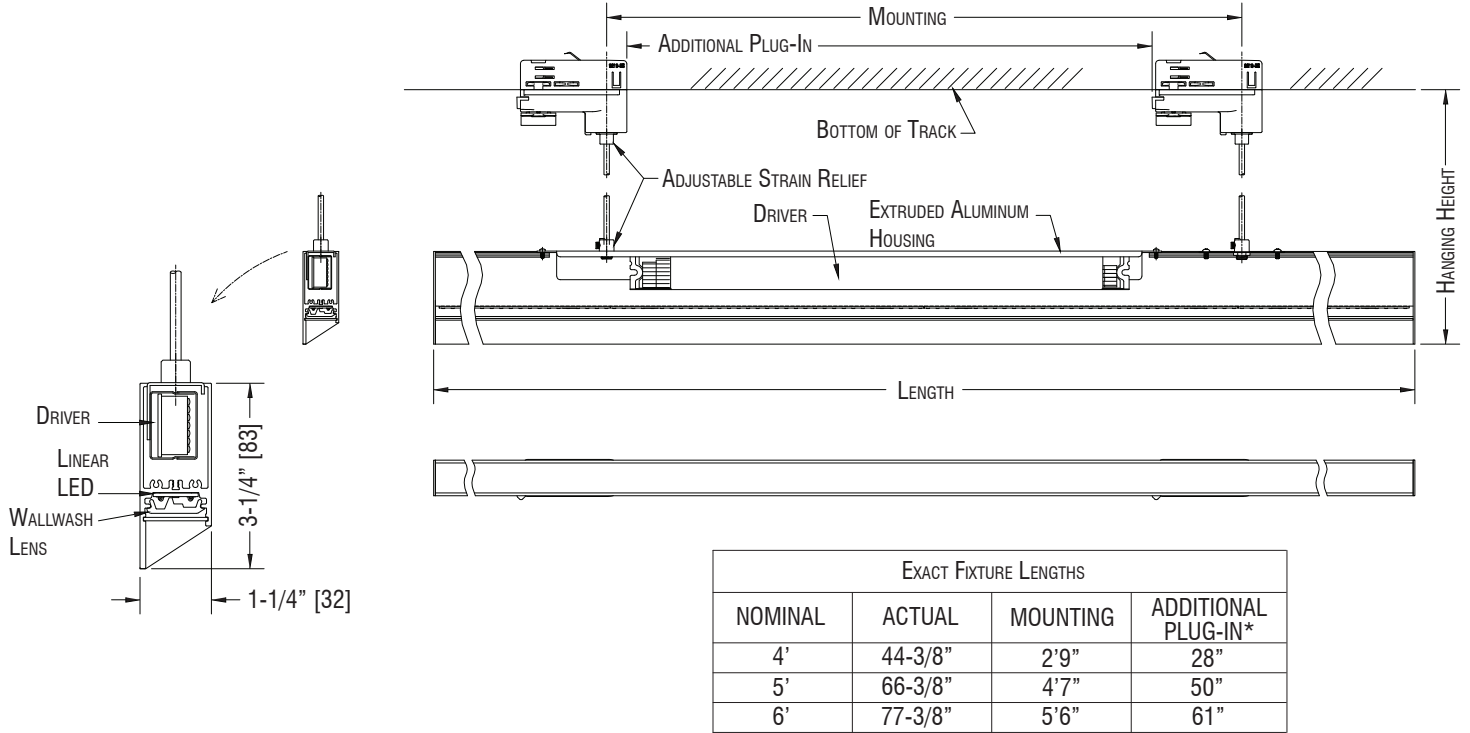
Stucchi 3-Circuit Track / Databus



EXACT FIXTURE LENGTHS			
NOMINAL	ACTUAL	MOUNTING	ADDITIONAL PLUG-IN*
4'	44-3/8"	2'9"	28"
5'	66-3/8"	4'7"	50"
6'	77-3/8"	5'6"	61"

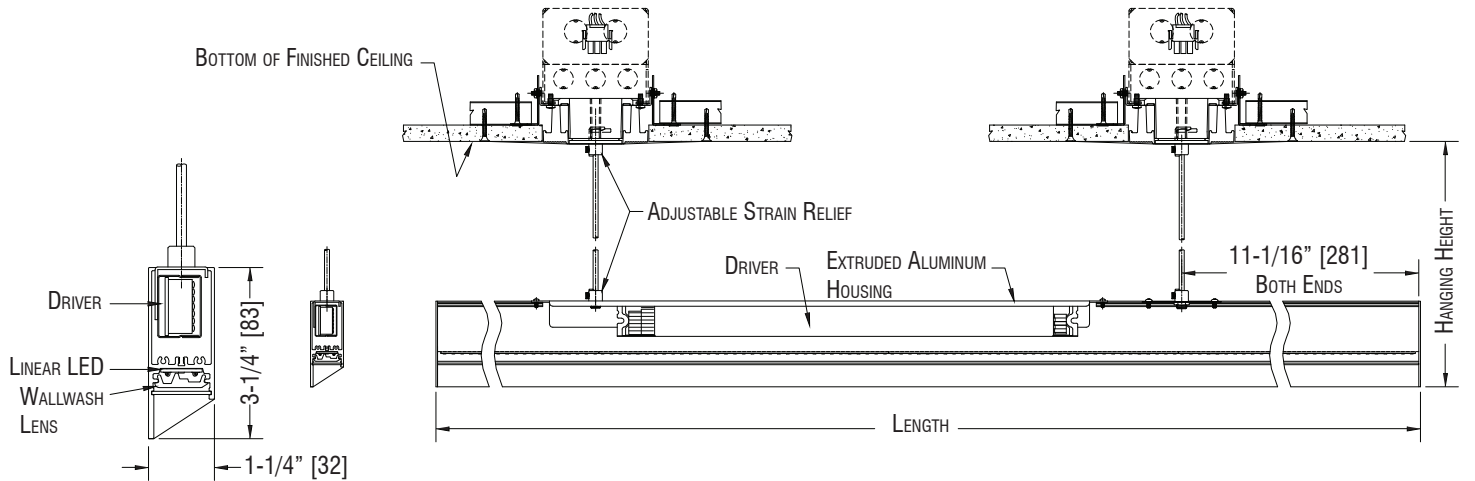
Mounting

Stucchi 2-Circuit Track / Databus



EXACT FIXTURE LENGTHS			
NOMINAL	ACTUAL	MOUNTING	ADDITIONAL PLUG-IN*
4'	44-3/8"	2'9"	28"
5'	66-3/8"	4'7"	50"
6'	77-3/8"	5'6"	61"

-7L 2" Quick Connect Canopy (Gypsum Installation)



EXACT FIXTURE LENGTHS		
NOMINAL	ACTUAL	MOUNTING
4'	44-3/8"	1'10"
5'	66-3/8"	3'8"
6'	77-3/8"	4'7"

J-Boxes Supplied by Others



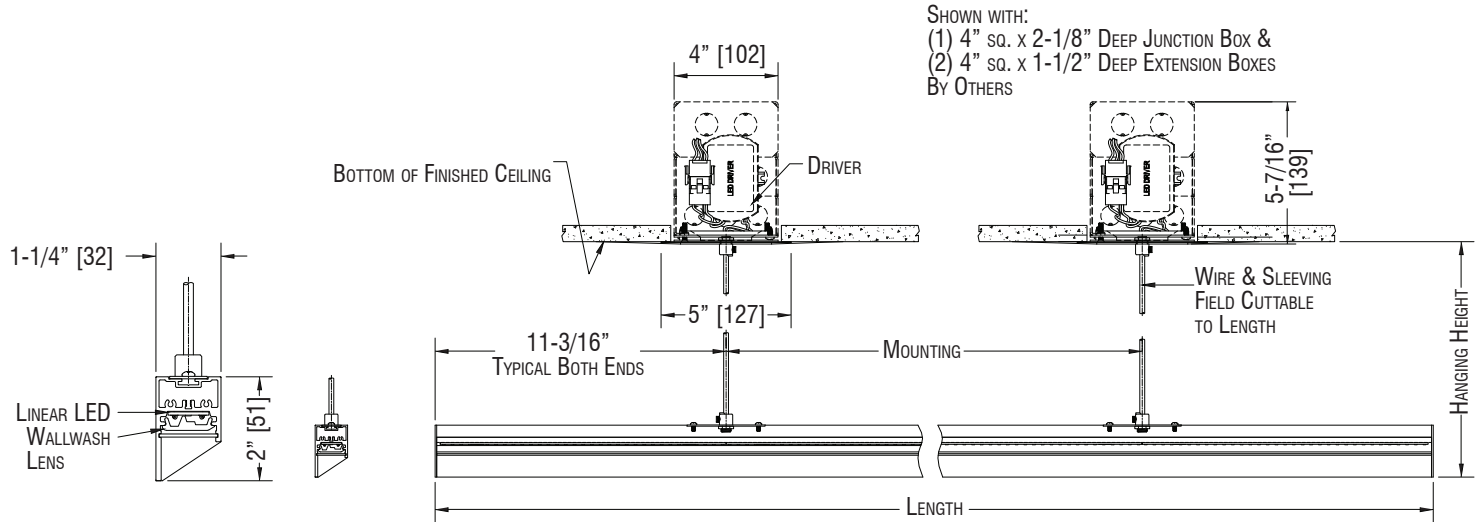
251 Elm Street, Buffalo, NY 14203 USA  
800-238-4120 | www.litelab.com

\* Covered under one or more of the following patents: US: 8,740,421 B2, D499, 698, D389,012, Republic of China: D149,379, People's Republic of China: ZL 201130358013.3, European Union: RCD #001920356-0001. Additional patents pending. \*\*See fittings and accessories page for mounting options and accessories.



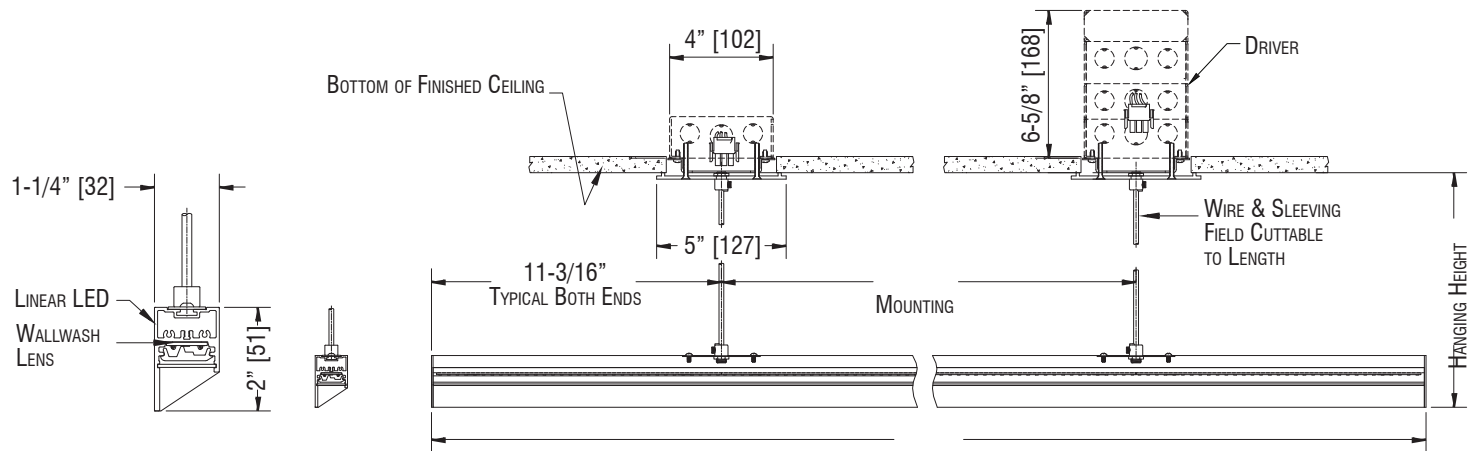
Mounting

**-5L 3.5" Quick Connect Canopy (Gypsum Installation)**



EXACT FIXTURE LENGTHS		
NOMINAL	ACTUAL	MOUNTING
4'	44-3/8"	1'10"
5'	66-3/8"	3'8"
6'	77-3/8"	4'7"

**-3L 5" Canopy (Gypsum Installation)**



EXACT FIXTURE LENGTHS		
NOMINAL	ACTUAL	MOUNTING
4'	44-3/8"	1'10"
5'	66-3/8"	3'8"
6'	77-3/8"	4'7"

J-Boxes Supplied by Others



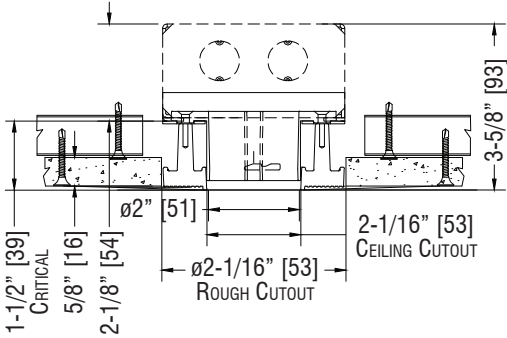
251 Elm Street, Buffalo, NY 14203 USA  
800-238-4120 | www.litelab.com

\* Covered under one or more of the following patents: US: 8,740,421 B2, D499, 698, D389,012, Republic of China: D149,379, People's Republic of China: ZL 201130358013.3, European Union: RCD #001920356-0001. Additional patents pending. \*\*See fittings and accessories page for mounting options and accessories.



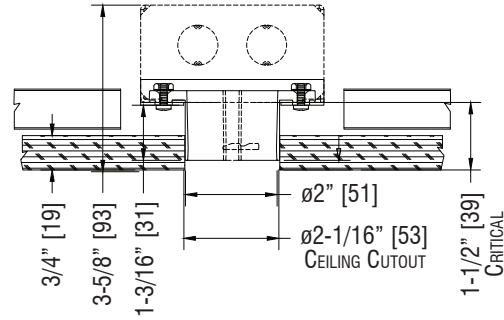
Canopy Guide

**-7L - 2" Dia. Quick Connect Canopy - Gypsum\***



\* QC-7K-GYP-P/MB  
Canopy Mount ordered  
separately.

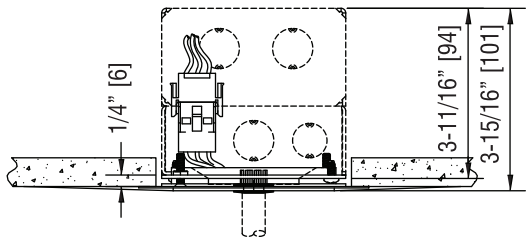
**-7L - 2" Dia. Quick Connect Canopy - Wood\*\***



\*\* QC-7K-WD-MB Canopy  
Mount ordered separately.

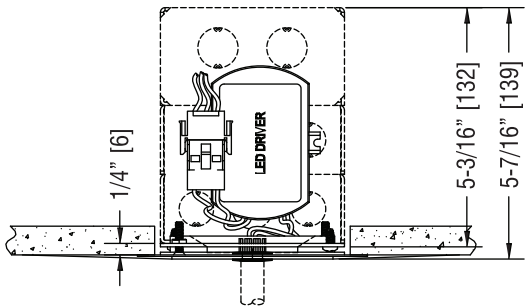
**-5L - 3-1/2" Dia. Quick Connect Canopy**

QC-5K-P/MB Canopy Mounted Ordered Separately



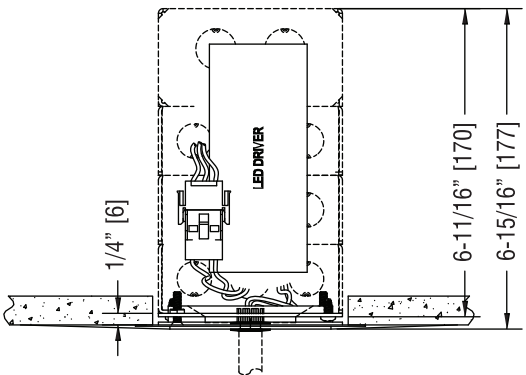
**-5 Remote Driver**

- (1) 4" sq x 2-1/8" J-Box
- (1) 4" sq x 1-1/2" Extension Box



**-5L ELV Driver**

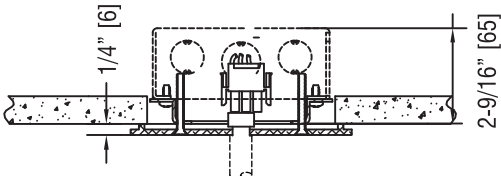
- (1) 4" sq x 2-1/8" J-Box
- (2) 4" sq x 1-1/2" Extension Box



**-5L 0-10v, DALI and DMX Driver**

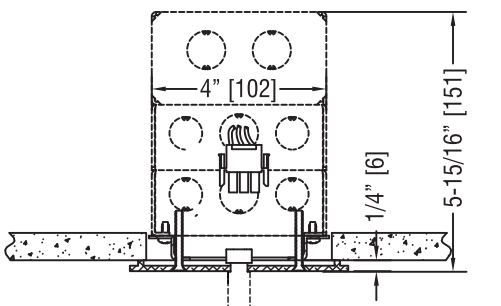
- (1) 4" sq x 2-1/8" J-Box
- (3) 4" sq x 1-1/2" Extension Box

**-3L - 5" Dia. x 1/4" H. Machined Canopy**



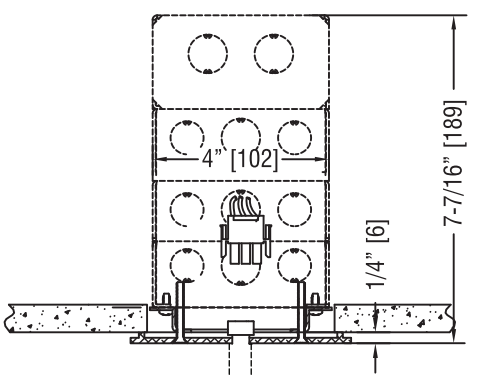
**-3 Remote Driver**

- (1) 4" sq x 1-1/2" Extension Box



**-3L ELV Driver**

- (1) 4" sq x 2-1/8" J-Box
- (2) 4" sq x 1-1/2" Extension Box



**-3L 0-10v, DALI and DMX Driver**

- (1) 4" sq x 2-1/8" J-Box
- (3) 4" sq x 1-1/2" Extension Box

J-Boxes Supplied by Others



251 Elm Street, Buffalo, NY 14203 USA  
800-238-4120 | www.litelab.com

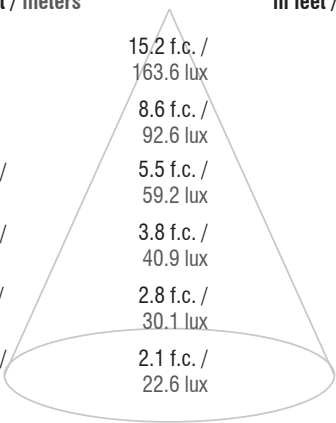
\* Covered under one or more of the following patents: US: 8,740,421 B2, D499, 698, D389,012, Republic of China: D149,379, People's Republic of China: ZL 201130358013.3, European Union: RCD #001920356-0001. Additional patents pending. \*\*See fittings and accessories page for mounting options and accessories.



Photometrics

L2WS-L10 Wallwash

Mounting Height in feet / meters	FC / Lux	Beam Diameter in feet / meters
6.0' / 1.8m	15.2 f.c. / 163.6 lux	6.5' / 2.0m
8.0' / 2.4m	8.6 f.c. / 92.6 lux	9.0' / 2.7m
10.0' / 3.0m	5.5 f.c. / 59.2 lux	11.2' / 3.4m
12.0' / 3.7m	3.8 f.c. / 40.9 lux	13.5' / 4.1m
14.0' / 4.3m	2.8 f.c. / 30.1 lux	15.7' / 4.8m
16.0' / 4.9m	2.1 f.c. / 22.6 lux	18.0' / 5.5m

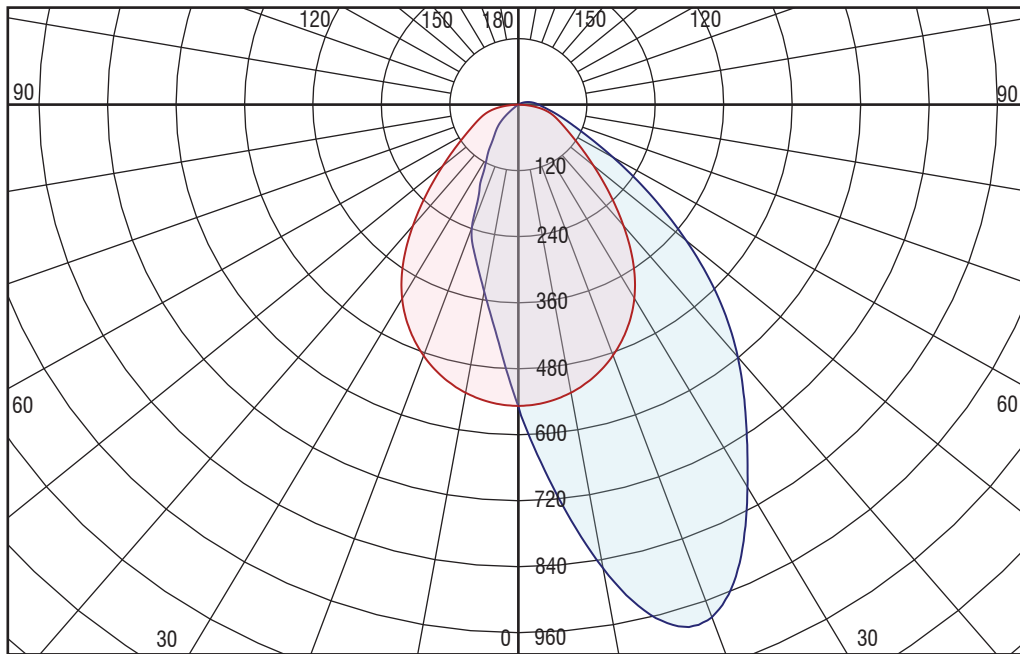


CBCP:	See Candela Distribution		
Efficacy:	47.9 lm/w		
Delivered Lumens:	1171 lm		
Plane:	0°	90°	180°
Spacing Criteria:	1.7	1.1	0.5

CANDELA DISTRIBUTION

	0.0	45.0	90.0	135.0	180.0
0	548	548	548	548	548
5	697	647	543	453	424
15	971	835	512	327	289
25	919	879	451	244	157
35	696	719	283	129	77
45	497	467	225	61	41
55	280	260	132	27	0
65	132	143	85	0	0
75	72	79	57	0	0
85	43	34	17	0	0
90	36	25	0	0	0
95	30	27	0	0	0
105	18	9	0	0	0
115	7	0	0	0	0
125	0	0	0	0	0
135	0	0	0	0	0
145	0	0	0	0	0
155	0	0	0	0	0
165	0	0	0	0	0
175	0	0	0	0	0
180	0	0	0	0	0

L2WS-L10 Wallwash - Polar Diagram



----- 270 Deg Lateral Plane    ----- 180 Deg Lateral Plane    ----- 0 Deg Lateral Plane    ----- 90 Deg Lateral Plane