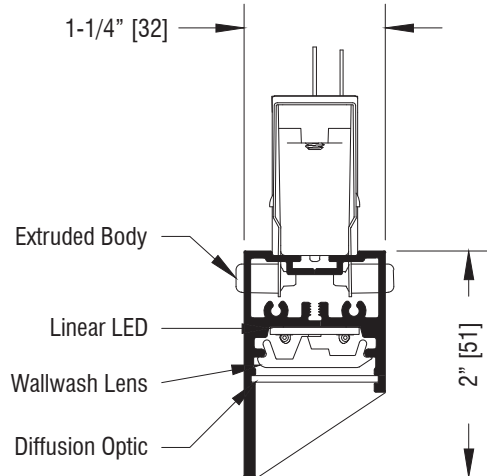


L-WS

Static White
Linear LED

Project Name

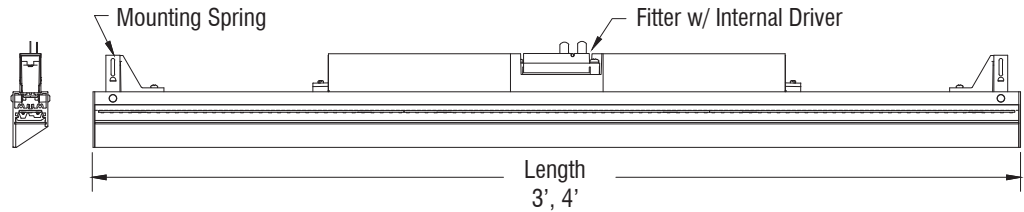
Type



Optic	
OL-ASYM-o	Assymetrical

Input Requirements

lm/ft.	VAC	3'	4'
1000	120	0.4A/44W	0.5A/58W
	240	0.3A/45W	0.3A/58W
	277	0.2A/45W	0.3A/58W
700	120	0.3A/28W	0.4A/37W
	240	0.2A/28W	0.2A/38W
	277	0.2A/28W	0.2A/38W



Enter Catalog Number Sequentially from Left to Right

- - -

Model	Mounting	Lumens	CRI	CCT	Adaptor	Dimming	Level	Voltage	Finish
L3W 3'	S Surface	L10 1000	9 95	27 2700	9TC BusRun Clipless	E ELV	1 1%	A 120	P White
L4W 4'		L07 700		30 3000	9TD BusRun Deep			D 240	MB Black
				35 3500	9TS BusRun Shallow			F* 240	BR Brushed
								C 277	CP Custom
					9HC BusRun Clipless w/ Driverbox	E ELV	0 10%		<input type="text"/>
					9HD BusRun Deep w/ Driverbox	N Local			
					9HS BusRun Shallow w/ Driverbox	W Wireless	C Casambi		
					BT Basic Track		A Avi-On		
							Z Zigbee		
							T Athena RF		ENTER RAL OR OTHER FINISH CODE
					ST2 2-Circuit Stucchi	E ELV	0 10%		
					ST3 3-Circuit Stucchi	N Local			
					CLG Ceiling	Z 0-10	D Dark		
						M DMX			
						D DALI			

Dimming Note

This fixture is provided with LED Drivers suitable for the dimming protocol specified. Dimming performance may vary based on dimmer model or system being used. If exact dimming performance is required, Litelab recommends testing the Litelab fixture with the specified dimmer.

Flush Fit BusRun Adaptor

Litelab's flush fit BusRun adaptor recesses entirely inside BusRun to provide a clean aesthetic. BusRun fitters are dimmable to 1% using an ELV dimming system.

* Voltage 'F' Fitters are for 2-Circuit 240 volt BusRun.

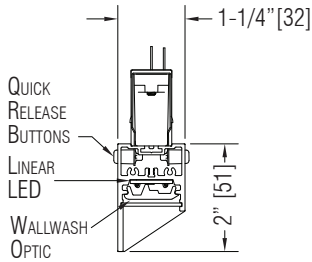


251 Elm Street, Buffalo, NY 14203 USA
800-238-4120 | www.litelab.com

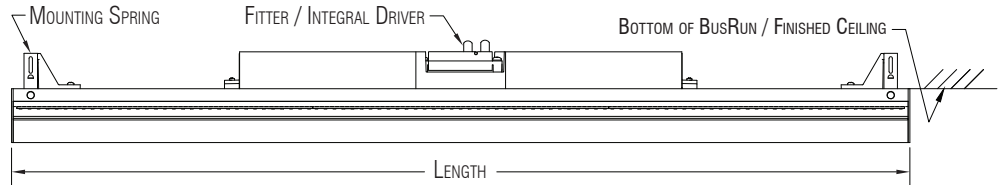


Mounting

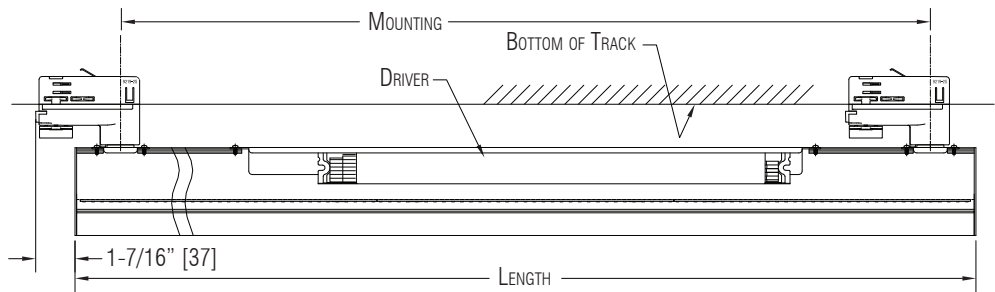
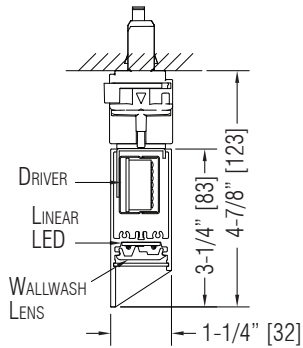
9TC - 120/240/277v Recessed BusRun Fitter - ELV Dimmable Only - 1%



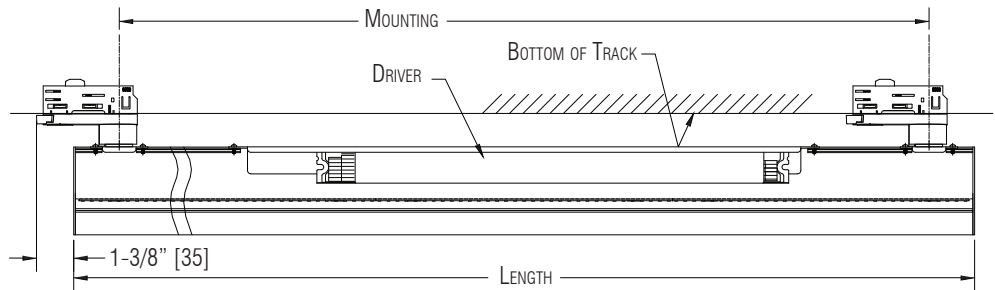
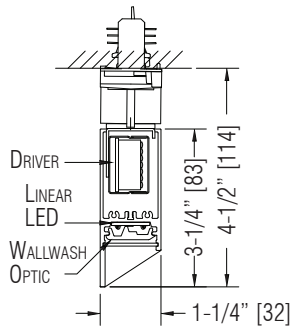
FIXTURE LENGTHS	
NOMINAL	ACTUAL
3'	33-3/8"
4'	44-3/8"



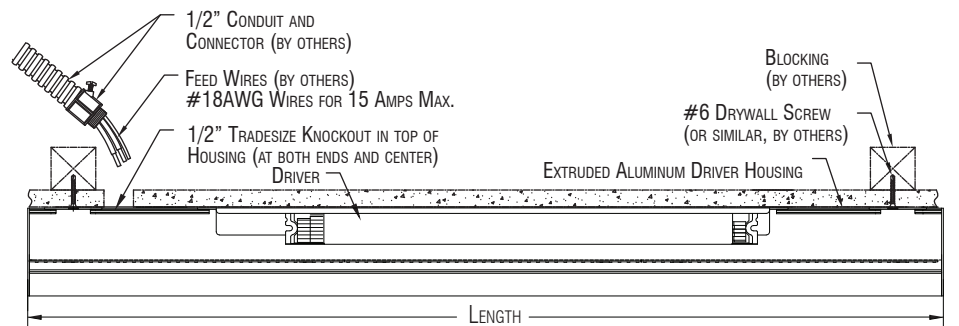
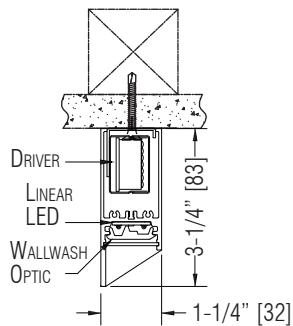
ST2 - 120/277v Stucchi Fitter - ELV, Dali, DMX and 0-10v Dimming Available



ST3 - 120/240v Stucchi Fitter - ELV, Dali, DMX and 0-10v Dimming Available



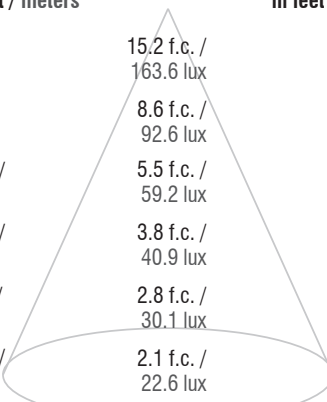
Ceiling-Mounted - ELV, Dali, DMX and 0-10v Dimming Available



Photometrics

L2WS-L10 Wallwash

Mounting Height in feet / meters	FC / Lux	Beam Diameter in feet / meters
6.0' / 1.8m	15.2 f.c. / 163.6 lux	6.5' / 2.0m
8.0' / 2.4m	8.6 f.c. / 92.6 lux	9.0' / 2.7m
10.0' / 3.0m	5.5 f.c. / 59.2 lux	11.2' / 3.4m
12.0' / 3.7m	3.8 f.c. / 40.9 lux	13.5' / 4.1m
14.0' / 4.3m	2.8 f.c. / 30.1 lux	15.7' / 4.8m
16.0' / 4.9m	2.1 f.c. / 22.6 lux	18.0' / 5.5m

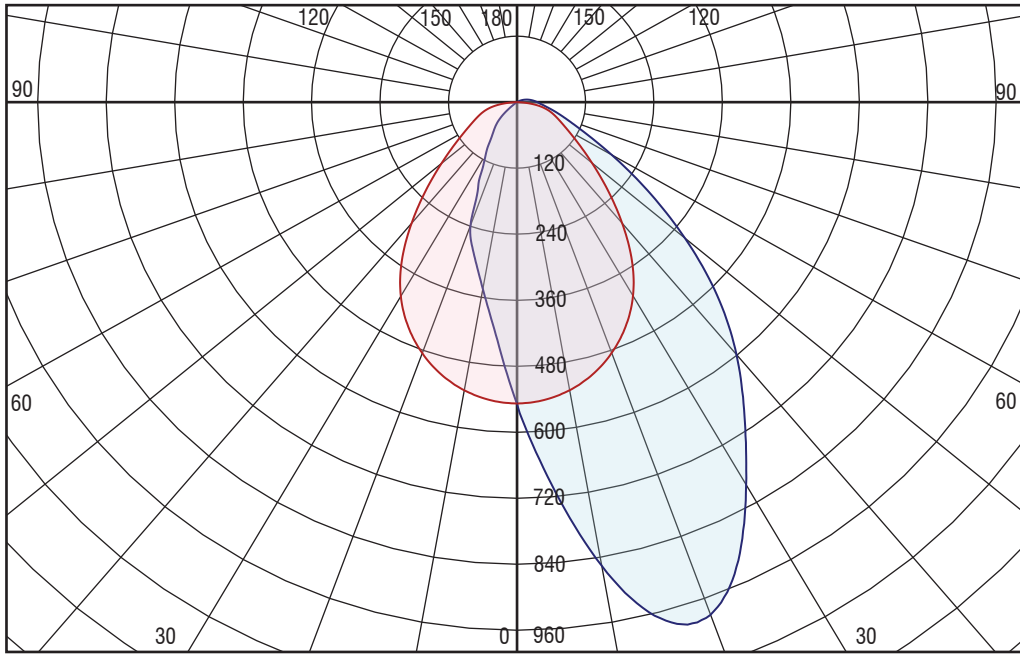


CANDELA DISTRIBUTION

	0.0	45.0	90.0	135.0	180.0
0	548	548	548	548	548
5	697	647	543	453	424
15	971	835	512	327	289
25	919	879	451	244	157
35	696	719	283	129	77
45	497	467	225	61	41
55	280	260	132	27	0
65	132	143	85	0	0
75	72	79	57	0	0
85	43	34	17	0	0
90	36	25	0	0	0
95	30	27	0	0	0
105	18	9	0	0	0
115	7	0	0	0	0
125	0	0	0	0	0
135	0	0	0	0	0
145	0	0	0	0	0
155	0	0	0	0	0
165	0	0	0	0	0
175	0	0	0	0	0
180	0	0	0	0	0

CBCP:	See Candela Distribution		
Efficacy:	47.9 lm/w		
Delivered Lumens:	1171 lm		
Plane:	0°	90°	180°
Spacing Criteria:	1.7	1.1	0.5

L2WS-L10 Wallwash - Polar Diagram



----- 270 Deg Lateral Plane ----- 180 Deg Lateral Plane ----- 0 Deg Lateral Plane ----- 90 Deg Lateral Plane