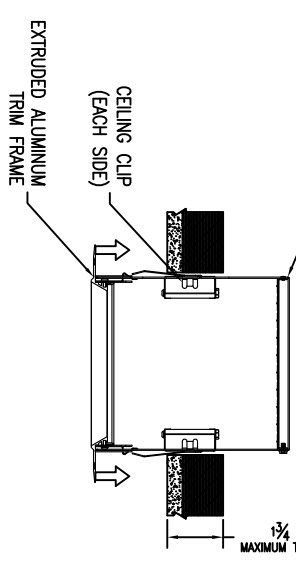
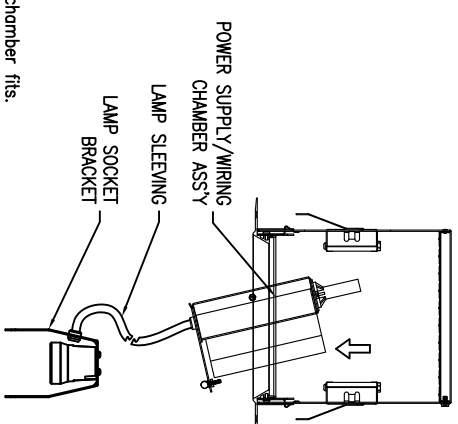
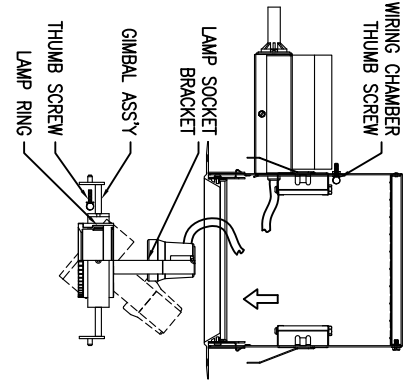
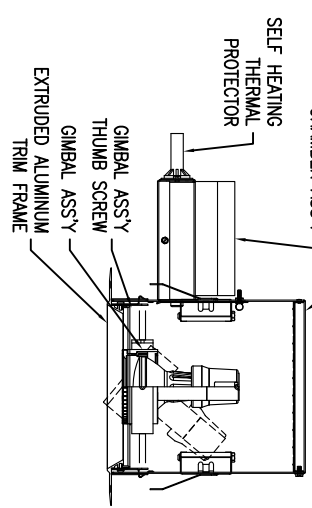


MODEL NUMBER:	FIXTURE TYPE/SCALE:	FILE NUMBER:	DATE:	NO.	REVISIONS DESCRIPTION	BY	DATE
PROJECT NAME:	N.T.S.	Prod/SlotFix/Bline/BlineInstall	10/13/08				
APPROX. WEIGHT:	DRAWN BY:	CK'D BY:	FIXTURE DESCRIPTION:				
N/A	E.J.		INSTALL FOR TRIMLESS BLINE				

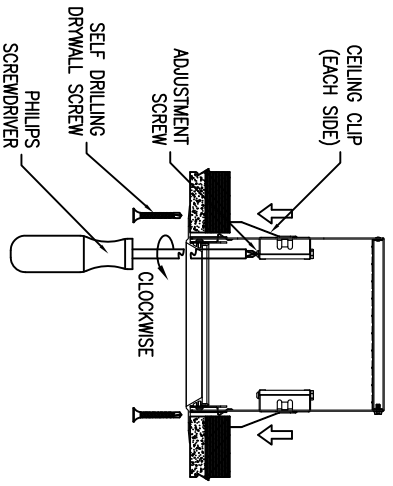
# RETROFIT INSTALLATION

Remove thumb screw in gimbal assembly.  
 Remove gimbal assembly by lifting and tilting upwards. Remove assembly from enclosure. Set aside.  
 Detach lamp socket brackets from gimbal assembly by squeezing bracket together and disengage lamp ring.  
 Remove thumb screw in power supply/wiring chamber assembly.  
 Lift power supply assembly and remove from box. Set aside for later.  
 Prepare ceiling for rough opening required to accept fixture housing. See spec sheet.  
 Insert box into ceiling cavity, ceiling clips will spring open to catch on top of support.



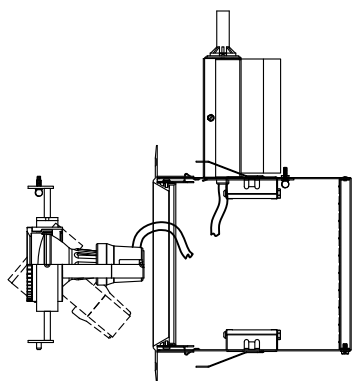
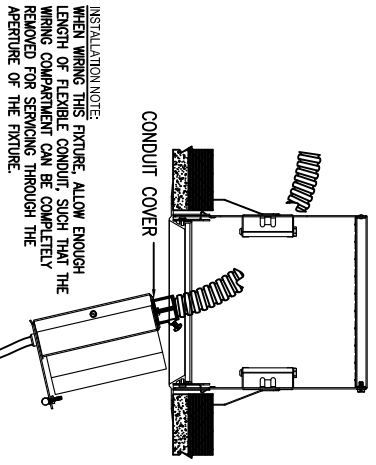
Using a philips screwdriver turn adjusting screw clockwise in each ceiling clip until fixture is snug to finished ceiling surface. (do not over tighten)

Set self drilling drywall screws through mud flange and into ceiling blocking, complete ceiling as required. (This step is optional.)



Bring flexible conduit through side of enclosure where wiring chamber fits.  
 See note below for proper length of conduit. Failure to do so will make future maintenance of ballast or wiring difficult.  
 Wire power supplies as required using approved wiring methods and hardware.  
 Remove conduit cover then wire power supply/wiring chamber assembly back into enclosure, replace thumb screw and secure unit in place.

Reattach lamp bracket to gimbal assembly for each fixture head.  
 Insert gimbal assembly in box repeating steps above. Replace thumb screw.



OPTIONAL BUTTERFLY BRACKETS SHIPPED SEPARATELY SEE SEPARATE SHEET FOR MOUNTING INSTRUCTIONS

INSTALLATION INFORMATION:  
 DO NOT INSTALL INSULATION WITHIN 3" (76mm) OF ANY PART OF THIS FIXTURE. DO NOT BLOCK VENT HOLES ON FIXTURE. MAXIMUM AMBIENT TEMPERATURE NOT TO EXCEED 35°C.

