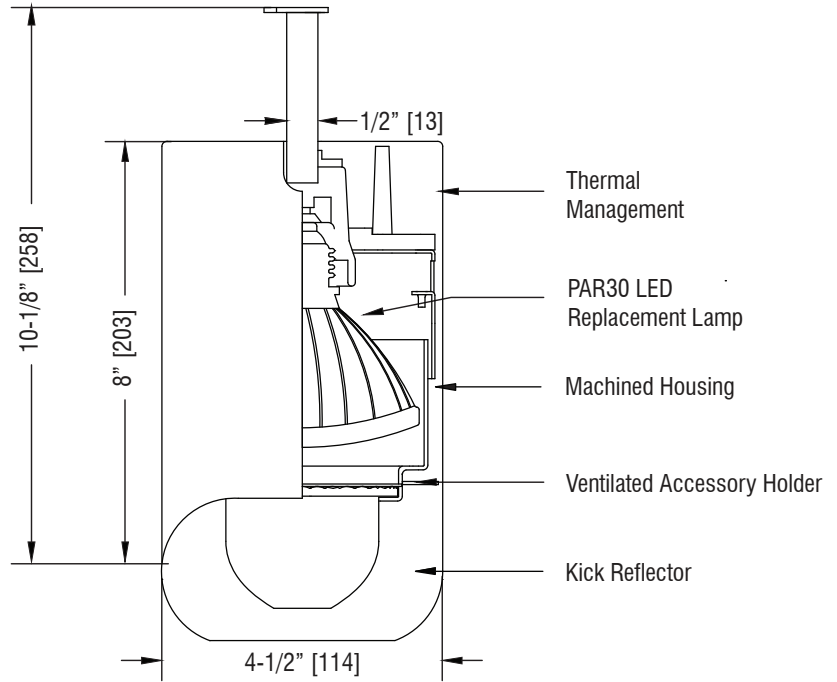


C4W

PAR30 Short Neck
Wallwasher

Project Name

Type



Input Requirements

PAR30 Short Neck
LED Replacement Lamp
30 Watt Maximum

Enter Catalog Number Sequentially from Left to Right

C4W - - -

Model	Source	Adaptor	Dimming	Level	Options	Voltage	Finish						
C4W	PAR30 Short Neck	9AC	BusRun Clipless	E	ELV 0	10%	R	Rotation Lock	A	120	P	White	
		9AD	BusRun Deep				SR	Switch w/ Rotation Lock	D	240	MB	Black	
		9AS	BusRun Shallow						F	240	BR	Brushed	
										(2 Circuit)	CP	Custom	
		ST2	2-Circuit Stucchi	E	ELV 0	10%							
		ST3	3-Circuit Stucchi										
		3L	5" Canopy										
		7L	2" QC Canopy										

ENTER RAL OR OTHER FINISH CODE

Flush Fit BusRun Adaptor

Litelab's flush fit BusRun adaptor recesses entirely inside BusRun to provide a clean aesthetic. It is available with a Switch and Rotation Lock.

Dimming Note

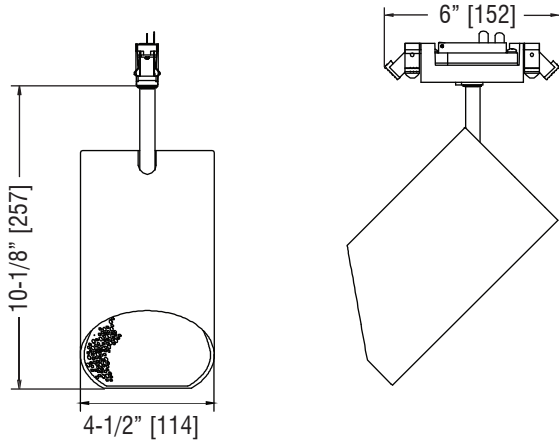
Dimming performance is contingent on the lamp and dimming system specified. To ensure dimming performance, please check with lamp and dimmer manufacturers. If a fixture is required for dimming tests, please contact your regional Sales Manager or local representative for samples.

Accessories: See Page 3

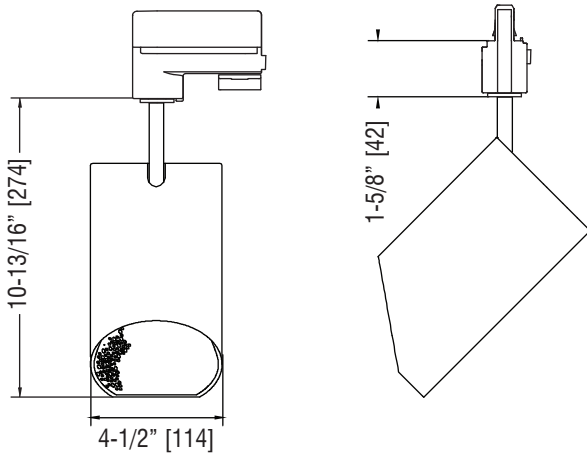
- OL-DF-e Beam Softening Film
- OL-TD-e Beam Softening Lens
- OL-30x60-e Universal Spread Lens

Fitter Guide

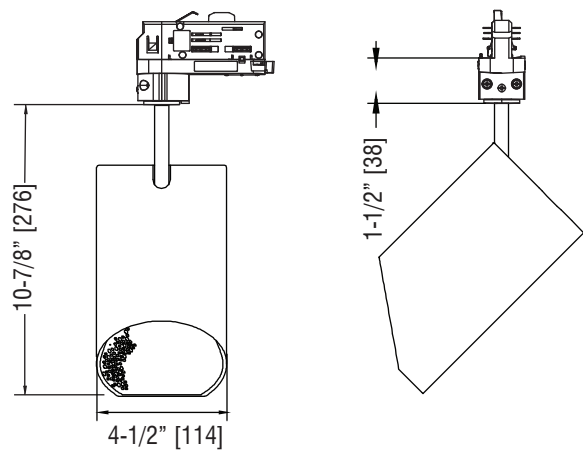
9AC - BusRun Fitter - ELV Dimmable Only



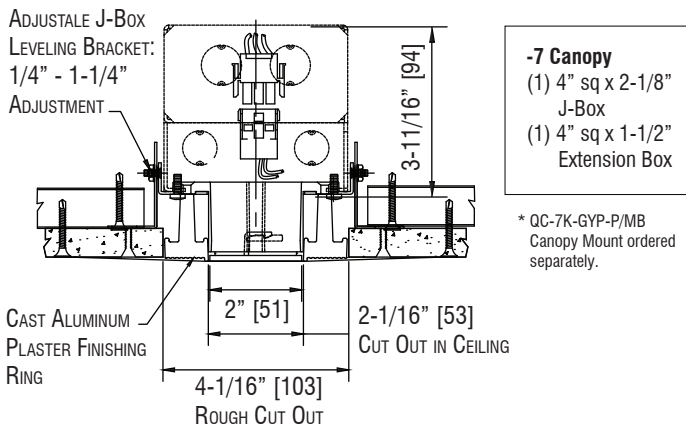
Stucchi - 2-Circuit Fitter



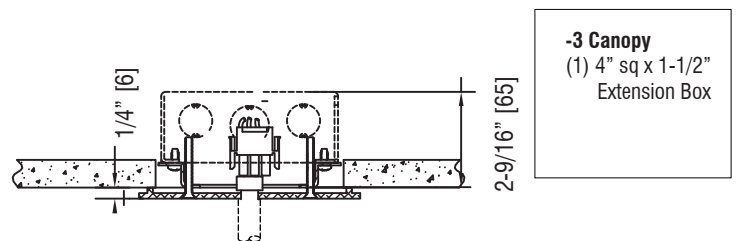
Stucchi - 3-Circuit Fitter



-7L - 2" Dia. Quick Connect Canopy



-3L - 5" Dia. x 1/4" H. Machined Canopy



J-Boxes Supplied by Others



251 Elm Street, Buffalo, NY 14203 USA
800-238-4120 | www.litelab.com

* Covered under one or more of the following patents: US: 8,740,421 B2, D499, 698, D389,012, Republic of China: D149,379, People's Republic of China: ZL 201130358013.3, European Union: RCD #001920356-0001. Additional patents pending. **See fittings and accessories page for mounting options and accessories.



Accessories

CUSTOM DISTRIBUTION FILMS AVAILABLE ON REQUEST.

SIZE CODE E: 3.05" [78MM]

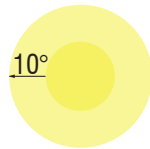
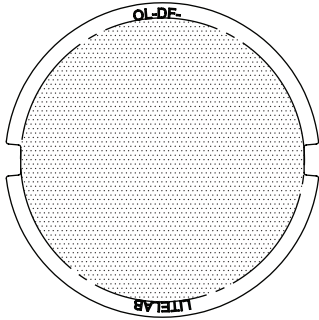
OL-DF-E (DIFFUSION FILM)

DIFFUSION FILM: 0.25MM (0.01") FILM SOFTENS BEAM EDGES (FOR USE WITH MULTIPLE MEDIA)

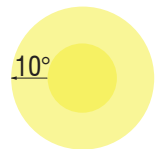
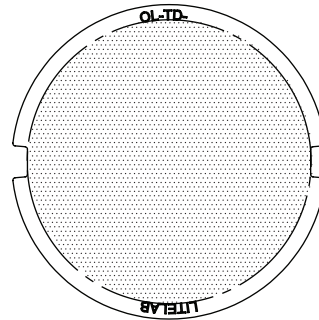
OL-TD-E (POLYCARBONATE DIFFUSION LENS)

DIFFUSION FILM: 3MM (0.1") TEXTURED LENS SOFTENS BEAM EDGES (FOR STANDALONE USE)

DISTRIBUTION DIAGRAM



DISTRIBUTION DIAGRAM



OL-30x60-E (UNIVERSAL SPREAD LENS - INCLUDED)

UNIVERSAL SPREAD LENS: 3MM (0.1") LENS SPREADS LIGHT UNIVERSALLY FOR WIDER DISTRIBUTION

DISTRIBUTION DIAGRAM

