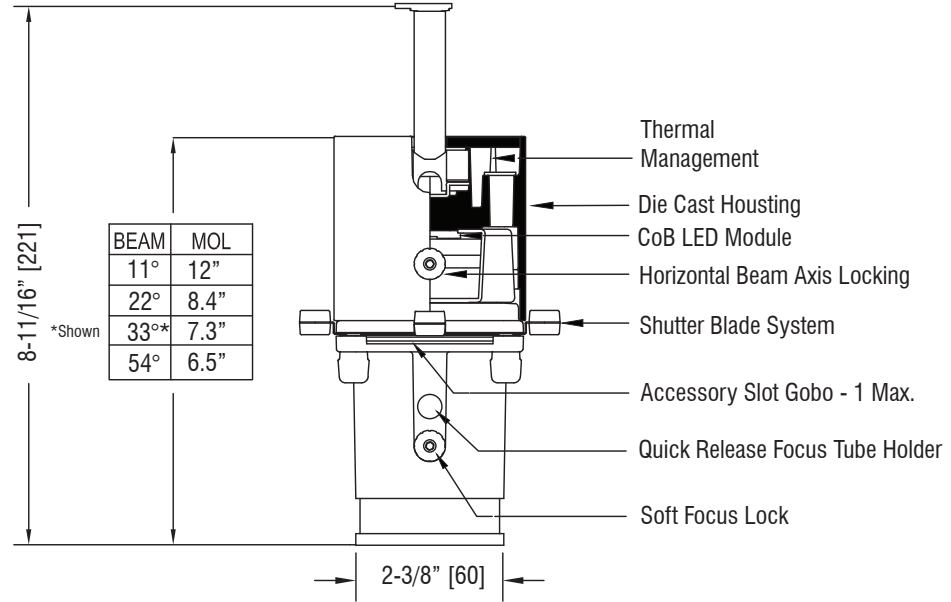


C3P

Static White Framing Projector

Project Name

Type



Input Requirements

1800/1550 Lumens	120VAC/0.19A/23W
	240VAC/0.12A/25W
	277VAC/0.10A/25W
1300/1100 Lumens	120VAC/0.15A/19W
	240 VAC/0.08A/19W
	277 VAC/0.07A/19W

Enter Catalog Number Sequentially from Left to Right

C3P - - -

Model	Lumens/CRI	CCT	Adaptor	Dimming	Level	Options	Voltage	Finish	Optics								
C3P	L18	1800/92	27	2700	9TC	BusRun Clipless	E	ELV	1	1%	P* Potentiometer	A	120	P	White	1	11°
	L15	1550/98	30	3000	9TD	BusRun Deep					R** Rotation Lock	D	240	MB	Black	2	22°
	L13	1300/92	35	3500	9TS	BusRun Shallow					SP* Switch w/ Potentiometer	F*	240	BR	Brushed	3	33°
	L11	1100/98	40	4000							SR** Switch w/ Rotation Lock	C	277	CP	Custom	5	54°
					9HC	BusRun Clipless w/ Driverbox	E	ELV	0	10%							
					9HD	BusRun Deep w/ Driverbox	W	Wireless	C	Casambi							
					9HS	BusRun Shallow w/ Driverbox			Z	Zigbee							
									T	Athena RF							
					ST2	2-Circuit Stucchi	E	ELV	0	10%							
					ST3	3-Circuit Stucchi	Z	0-10	1	1%							
					3L	5" Canopy	M	DMX	D	Dark							
					5L	3.5" QC Canopy	D	DALI									
					7L	2" QC Canopy (Remote Driver Only)											

* Potentiometers are available on ELV dimmable or non-dimming circuits only.

** Rotation Lock and type "F" voltage are exclusive to 9T fitters. Rotation Lock is not available with Potentiometer.

ENTER RAL OR OTHER FINISH CODE

Flush Fit BusRun Adaptor

Litelab's flush fit BusRun adaptor recesses entirely inside BusRun to provide a clean aesthetic. It is available with a Switch and Rotation Lock or On-Board Potentiometer for individual fixture dimming. BusRun fitters are available dimmable to 1% and can be dimmed proportionally using an ELV dimming system.

Dimming Note

This fixture is provided with LED Drivers suitable for the dimming protocol specified. Dimming performance may vary based on dimmer model or system being used. If exact dimming performance is required, Litelab recommends testing the Litelab fixture with the specified dimmer.

Accessories: See Page 5

- 64506 11° Focusing Tube
- 64506-01 22° Focusing Tube
- 64506-02 33° Focusing Tube
- 64506-03 54° Focusing Tube
- 64522-KIT Gobo Pin Spot Kit
- 64514 Gobo Carrier

Gobo Carrier accepts 0.37 - 0.5mm Gobos

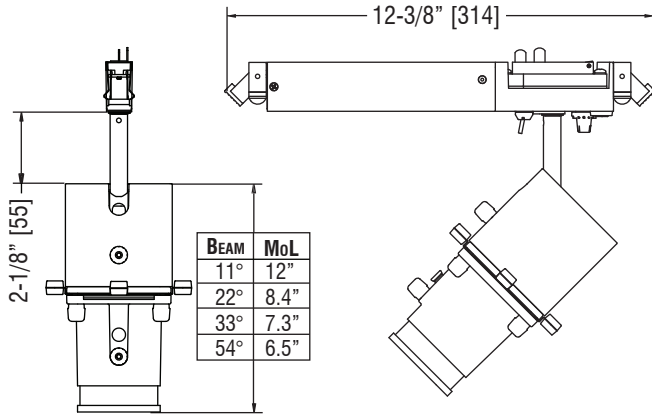


251 Elm Street, Buffalo, NY 14203 USA
800-238-4120 | www.litelab.com



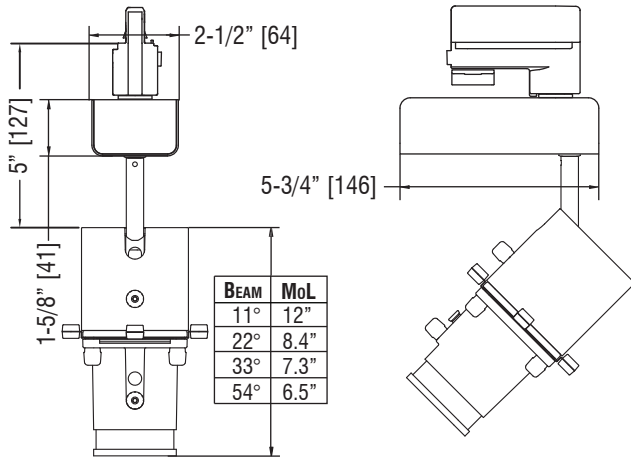
Fitter Guide - All fixtures shown with 33° Focusing Tube

9TC* - 120/240/277v Recessed BusRun Fitter - ELV Dimmable Only - 1%

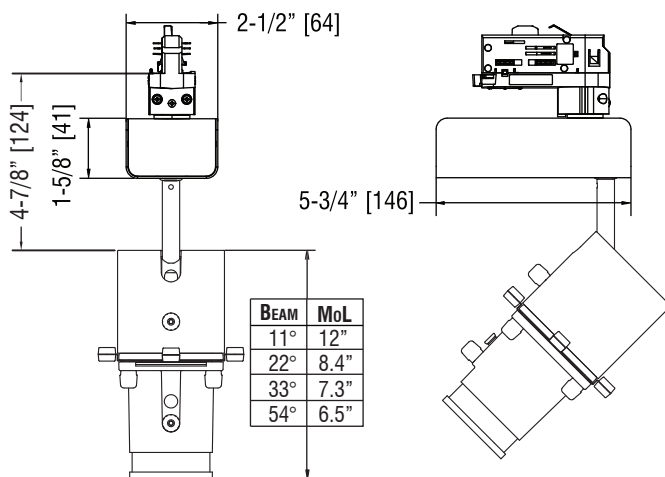


Universal Voltage Fitter, Available with an optional Switch and Rotation Lock or Potentiometer - Dimmable to 1%. Switch not available for 277 V.

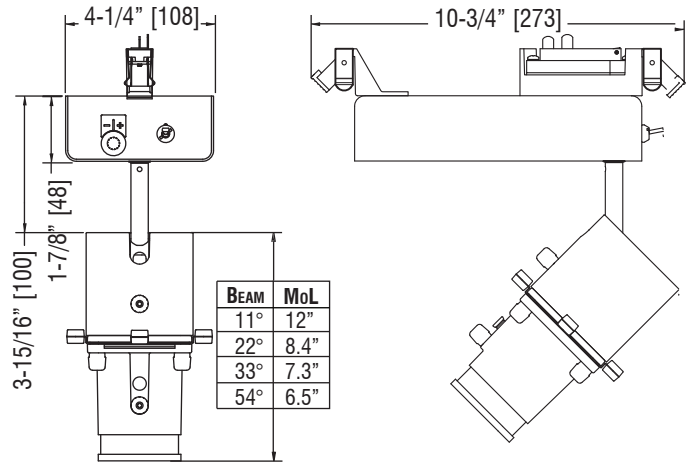
Stucchi - 2-Circuit ELV & 0-10V Dimmable Fitter



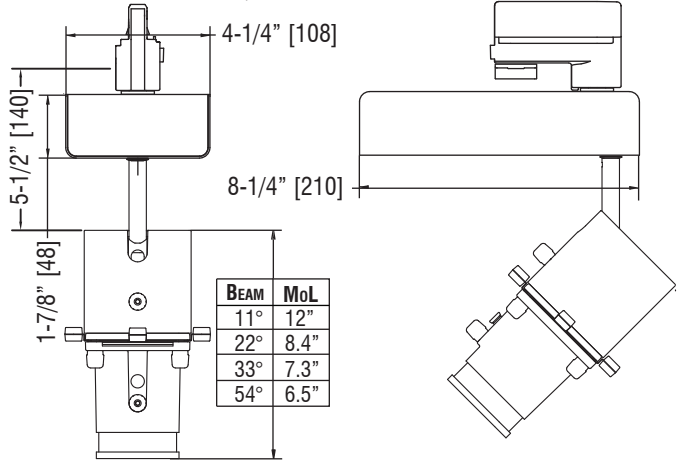
Stucchi - 3-Circuit ELV & 0-10V Dimmable Fitter



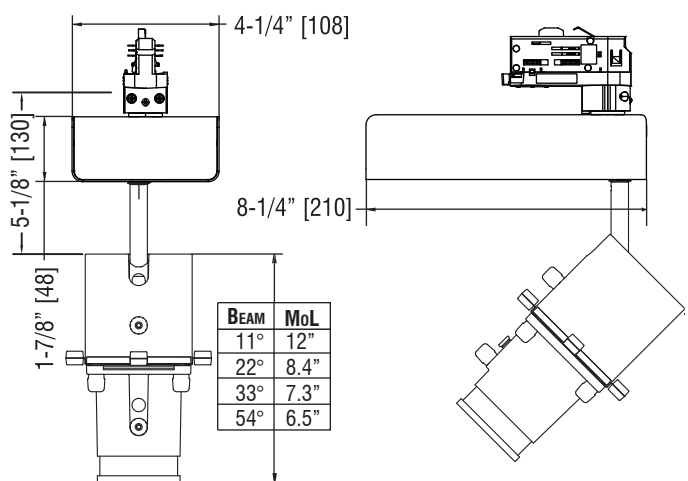
9H - Wireless Control Fitter for BusRun



Stucchi - 2-Circuit 0-10V, DMX and Dali Dimmable Fitter

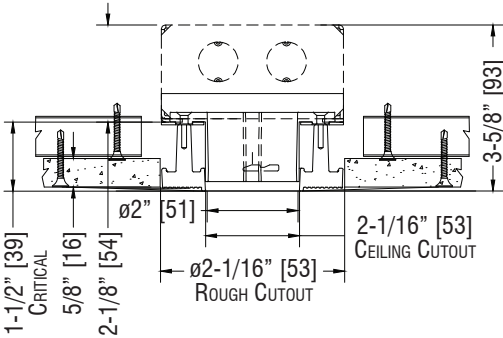


Stucchi - 3-Circuit 0-10V, DMX and Dali Dimmable Fitter



Fitter Guide

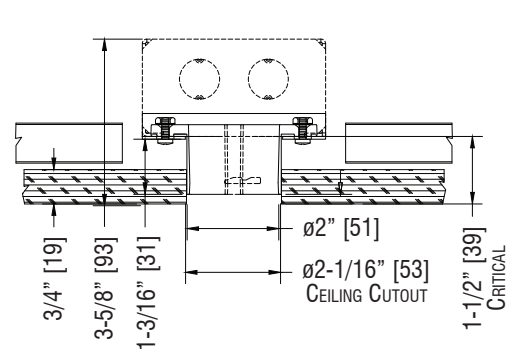
-7L - 2" Dia. Quick Connect Canopy - Gypsum*



-7 Remote Driver
(1) 4" sq x 2-1/8"
J-Box

* QC-7K-GYP-P/MB
Canopy Mount ordered
separately.

-7L - 2" Dia. Quick Connect Canopy - Wood**

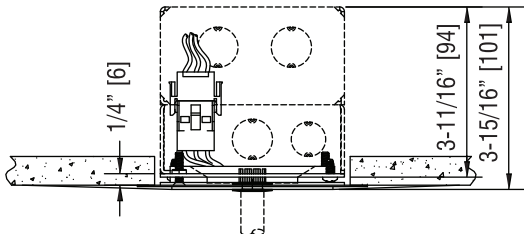


-7 Remote Driver
(1) 4" sq x 2-1/8"
J-Box

** QC-7K-WD-MB Canopy
Mount ordered separately.

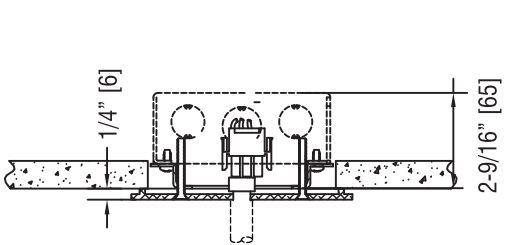
-5L - 3-1/2" Dia. Quick Connect Canopy

QC-5K-P/MB Canopy Mounted Ordered Separately

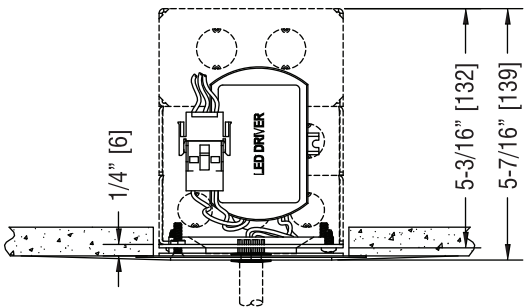


-5 Remote Driver
(1) 4" sq x 2-1/8"
J-Box
(1) 4" sq x 1-1/2"
Extension Box

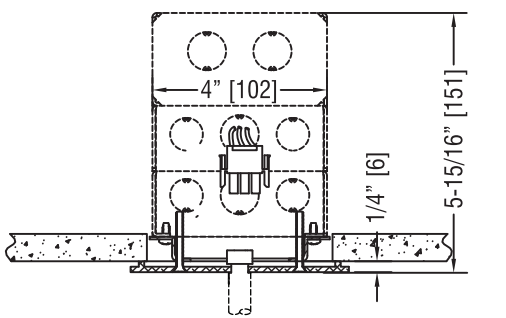
-3L - 5" Dia. x 1/4" H. Machined Canopy



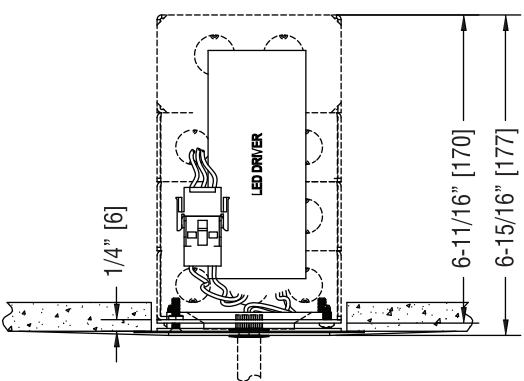
-3 Remote Driver
(1) 4" sq x 1-1/2"
Extension Box



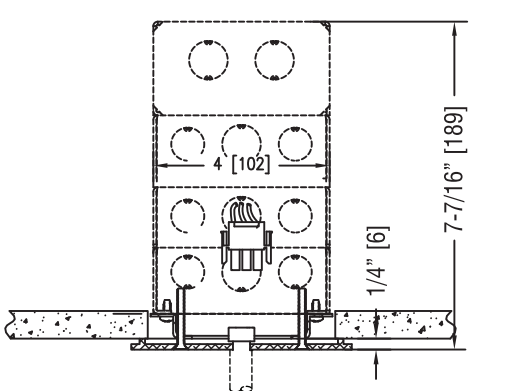
-5L ELV Driver
(1) 4" sq x 2-1/8"
J-Box
(2) 4" sq x 1-1/2"
Extension Box



-3L ELV Driver
(1) 4" sq x 2-1/8"
J-Box
(2) 4" sq x 1-1/2"
Extension Box



**-5L 0-10v, DALI
and DMX Driver**
(1) 4" sq x 2-1/8"
J-Box
(3) 4" sq x 1-1/2"
Extension Box



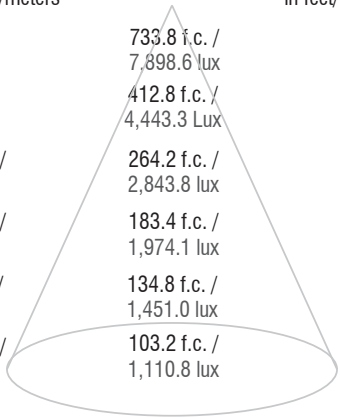
**-3L 0-10v, DALI
and DMX Driver**
(1) 4" sq x 2-1/8"
J-Box
(3) 4" sq x 1-1/2"
Extension Box

J-Boxes Supplied by Others

Photometrics

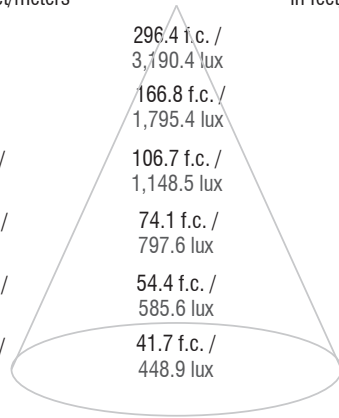
C3P-L18 11° Focusing Tube (64506)

Mounting Height in feet/meters	FC/Lux	Diameter in feet/meters
6.0' / 1.8m	733.8 f.c. / 7,898.6 lux	1.2' / 0.4m
8.0' / 2.4m	412.8 f.c. / 4,443.3 Lux	1.6' / 0.5m
10.0' / 3.0m	264.2 f.c. / 2,843.8 lux	2.0' / 0.6m
12.0' / 3.7m	183.4 f.c. / 1,974.1 lux	2.4' / 0.7m
14.0' / 4.3m	134.8 f.c. / 1,451.0 lux	2.8' / 0.9m
16.0' / 4.9m	103.2 f.c. / 1,110.8 lux	3.2' / 1.0m



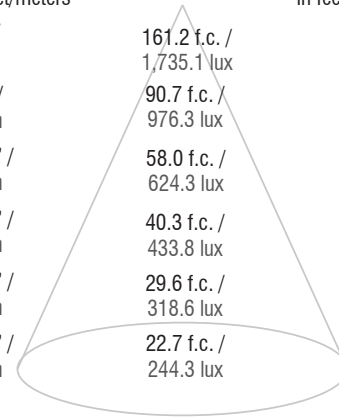
C39-L18 22° Focusing Tube (64506-01)

Mounting Height in feet/meters	FC/Lux	Diameter in feet/meters
6.0' / 1.8m	296.4 f.c. / 3,190.4 lux	2.3' / 0.7m
8.0' / 2.4m	166.8 f.c. / 1,795.4 lux	3.1' / 0.9m
10.0' / 3.0m	106.7 f.c. / 1,148.5 lux	3.9' / 1.2m
12.0' / 3.7m	74.1 f.c. / 797.6 lux	4.7' / 1.4m
14.0' / 4.3m	54.4 f.c. / 585.6 lux	5.5' / 1.7m
16.0' / 4.9m	41.7 f.c. / 448.9 lux	6.2' / 1.9m



C3P-L18 33° Focusing Tube (64506-02)

Mounting Height in feet/meters	FC/Lux	Diameter in feet/meters
6.0' / 1.8m	161.2 f.c. / 1,735.1 lux	3.2' / 1.0m
8.0' / 2.4m	90.7 f.c. / 976.3 lux	4.3' / 1.3m
10.0' / 3.0m	58.0 f.c. / 624.3 lux	5.4' / 1.6m
12.0' / 3.7m	40.3 f.c. / 433.8 lux	6.4' / 2.0m
14.0' / 4.3m	29.6 f.c. / 318.6 lux	7.5' / 2.3m
16.0' / 4.9m	22.7 f.c. / 244.3 lux	8.6' / 2.6m



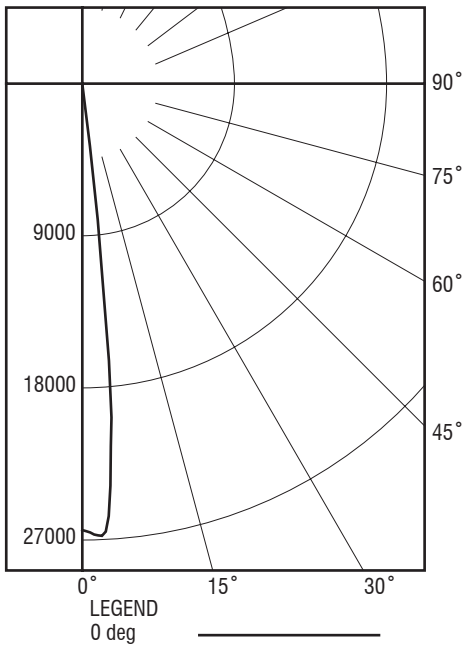
CBCP: 26,416 Cd
Efficacy: 36.1 lm/w
Delivered Lumens: 881lm

CBCP: 10,672 Cd
Efficacy: 45.5 lm/w
Delivered Lumens: 1109lm

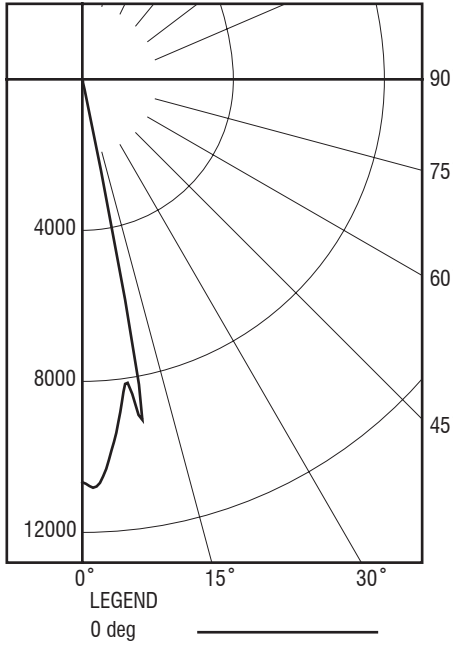
CBCP: 5,803 Cd
Efficacy: 45.7 lm/w
Delivered Lumens: 1115lm

For 1550 Lumen/98 CRI, use a derating value of 0.86

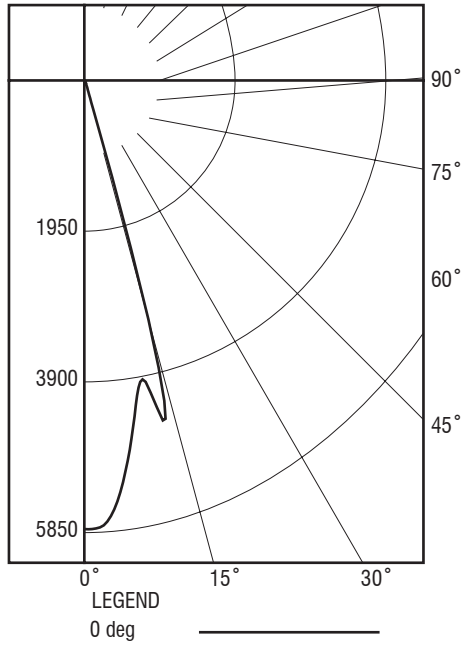
C3P-L18 11° Focusing Tube - Polar Diagram



C3P-L18 22° Focusing Tube - Polar Diagram

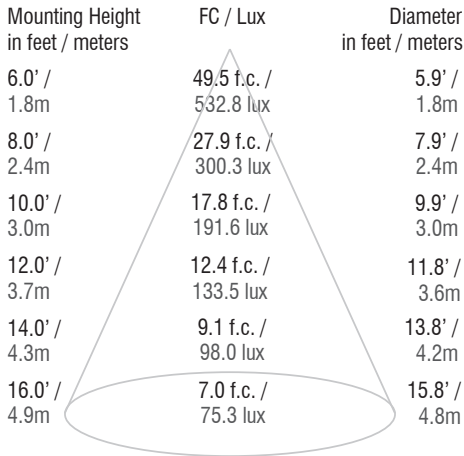


C3P-L18 33° Focusing Tube - Polar Diagram



Photometrics

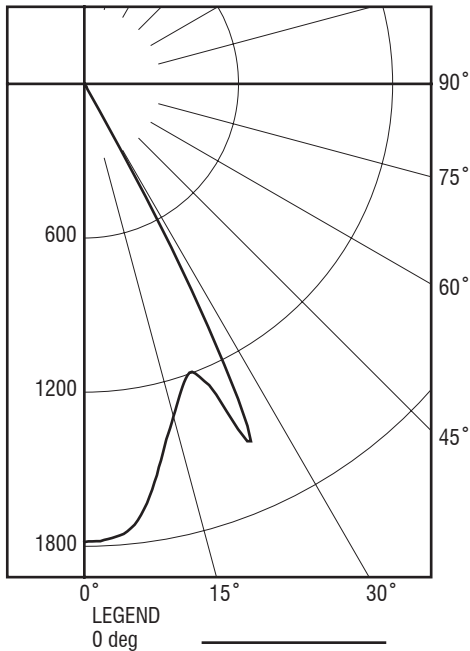
C3P-L18 54° Focusing Tube (64506-03)



CBCP: 1,783 Cd
Efficacy: 42.4 lm/w
Delivered Lumens: 1039lm

For 1550 Lumen/98 CRI, use a derating value of 0.86

C3P-L18 54° Focusing Tube - Polar Diagram



LL# 64506	LL# 64506-01	LL# 64506-02	LL# 64506-03
11° FOCUS TUBE	22° FOCUS TUBE	33° FOCUS TUBE	54° FOCUS TUBE

LL P/N	Ø APERTURE	11° FOCUS TUBE	22° FOCUS TUBE	33° FOCUS TUBE	54° FOCUS TUBE
64522-KIT	INCLUDES ALL LISTED APERTURES				
64522-12	Ø 0.125"	1°	2°	2°	5°
64522-25	Ø 0.25"	2°	3°	5°	10°
64522-37	Ø 0.375"	3°	5°	7°	14°
64522-50	Ø 0.50"	3.5°	7°	10°	19°
64522-62	Ø 0.625"	4°	9°	13°	24°
64522-75	Ø 0.75"	5°	10°	15°	28°
64522-87	Ø 0.875"	6°	12°	18°	33°
64522-10	Ø 1.0"	7°	14°	20°	37°
64522-1.12	Ø 1.125"	7.5°	15°	23°	41°
64522-1.25	Ø 1.25"	8°	17°	25°	45°
64522-1.37	Ø 1.375"	9°	19°	27°	48°
64522-1.50	Ø 1.5"	10°	21°	30°	52°

OPTICAL GOBO CARRIER (LL P/N 64514) ACCEPTS 37.5MM GOBOS, ROSCO SIZE (E)

FOOT CANDLE CHART

DISTANCE	FOCUS TUBE	FOOT CANDLES	LARGEST SQUARE (IN.)
3'	11°	4450	4.9 x 4.9
	22°	1740	9.8 x 9.8
	33°	752	15 x 15
	54°	221	17.3 x 17.3
4'	11°	2205	6.5 x 6.5
	22°	872	13 x 13
	33°	360	20 x 20
	54°	118	26 x 26
5'	11°	1360	8 x 8
	22°	530	16.4 x 16.4
	33°	239	25 x 25
	54°	73	34.5 x 34.5
6'	11°	895	9.8 x 9.8
	22°	348	19.7 x 19.7
	33°	163	30 x 30
	54°	50	43.2 x 43.2
7'	11°	631	11.4 x 11.4
	22°	248	23 x 23
	33°	110	35 x 35
	54°	37	52.2 x 52.2

DISTANCE	FOCUS TUBE	FOOT CANDLES	LARGEST SQUARE (IN.)
8'	11°	481	13 x 13
	22°	187	26.3 x 26.3
	33°	90	40.2 x 40.2
	54°	30	60.5 x 60.5
9'	11°	372	14.7 x 14.7
	22°	144	29.6 x 29.6
	33°	69	45.2 x 45.2
	54°	22	69 x 69
10'	11°	292	16.3 x 16.3
	22°	117	32.9 x 32.9
	33°	56	50.2 x 50.2
	54°	18	75.4 x 75.4
11'	11°	239	17.9 x 17.9
	22°	96	36.2 x 36.2
	33°	45	55.2 x 55.2
	54°	15	86.4 x 86.4
12'	11°	199	19.6 x 19.6
	22°	80	39.5 x 39.5
	33°	38	60.3 x 60.3
	54°	12	95 x 95