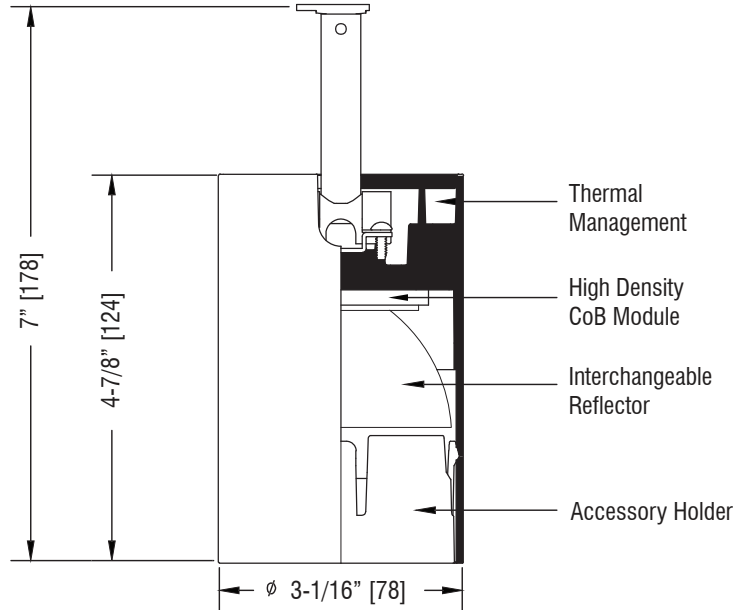


# C30

Xicato  
Static White  
Fixed Object

Project Name

Type



## Input Requirements

2000 Lumens	120VAC/0.3A/27W
	240VAC/0.2A/30W
	277VAC/0.1A/31W
1400 Lumens	120VAC/0.2A/18W
	240 VAC/0.1A/19W
	277 VAC/0.1A/19W

Enter Catalog Number Sequentially from Left to Right

C30 -  -  -

Model	Lumens/CRI	CCT	Adaptor	Dimming	Level	Options	Voltage	Finish	Optics	
C30	L20	2000/95	27	2700	9TC BusRun Clipless	E ELV 1 1%	P* Potentiometer	A 120	P White	2 20°
	L14	1400/95	30	3000	9TD BusRun Deep		R** Rotation Lock	D 240	MB Black	4 40°
			35	3500	9TS BusRun Shallow		SP* Switch w/ Potentiometer	F* 240 (2-Circuit)	BR Brushed	6 60°
			40	4000			SR** Switch w/ Rotation Lock	C 277	CP Custom	
			9HC BusRun Clipless w/ Driverbox	E ELV 0 10%						
			9HD BusRun Deep w/ Driverbox	W Wire-less	C Casambi					
			9HS BusRun Shallow w/ Driverbox	Z T	A Avi-On Zigbee Athena RF					
			ST2 2-Circuit Stucchi	E ELV 0 10%						
			ST3 3-Circuit Stucchi	Z 0-10 1 1%						
			3L 5" Canopy	M DMX D Dark						
			5L 3.5" QC Canopy	D DALI						
			7L 2" QC Canopy (Remote Driver Only)							

\* Potentiometers are available on ELV dimmable or non-dimming circuits only.  
\*\* Rotation Lock and type "F" voltage are exclusive to 9T fitters. Rotation Lock is not available with Potentiometer.



ENTER RAL OR OTHER FINISH CODE

- Optics:**
- 20° 21619-20
  - 40° 21619-40
  - 60° 21619-60

- Accessories: See Page 5**
- OL-DF-g Beam Softening Film
  - OL-TD-g Beam Softening Lens
  - OL-10x40-g Linear Spread Lens
  - OL-10x60-g Linear Spread Lens
  - OL-30x60-g Universal Spread Lens
  - LVH/g Hexell Louver
  - CHB/g-2 Crosshair Baffle

## Flush Fit BusRun Adaptor

Litelab's flush fit BusRun adaptor recesses entirely inside BusRun to provide a clean aesthetic. It is available with a Switch and Rotation Lock or On-Board Potentiometer for individual fixture dimming. BusRun fitters are available dimmable to 1% and can be dimmed proportionally using an ELV dimming system.

## Dimming Note

This fixture is provided with LED Drivers suitable for the dimming protocol specified. Dimming performance may vary based on dimmer model or system being used. If exact dimming performance is required, Litelab recommends testing the Litelab fixture with the specified dimmer.

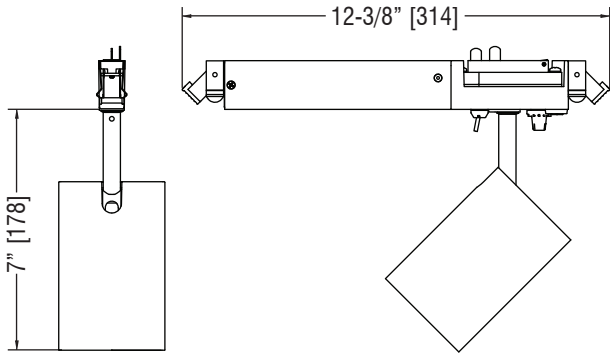


251 Elm Street, Buffalo, NY 14203 USA  
800-238-4120 | www.litelab.com



## Fitter Guide

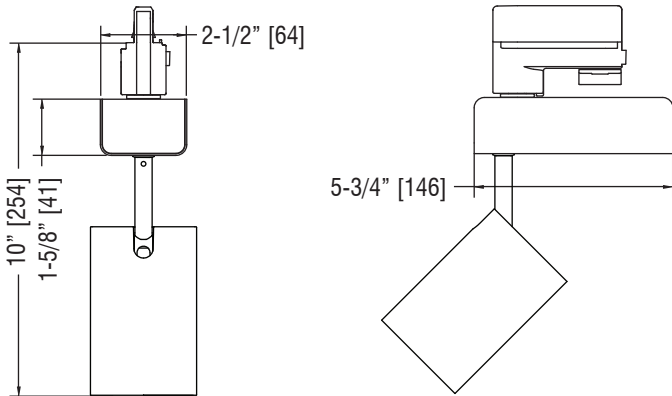
### 9TC\* - 120/240/277v Recessed BusRun Fitter - ELV Dimmable Only - 1%



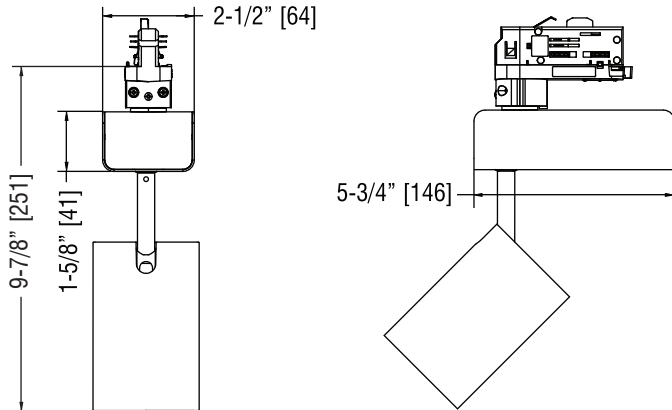
Universal Voltage Fitter, Available with an optional Switch and Rotation Lock or Potentiometer - Dimmable to 1%.

Switch not available for 277 V.

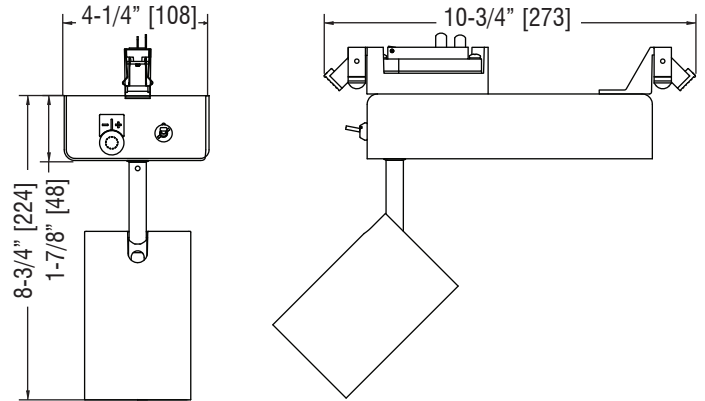
### Stucchi - 2-Circuit ELV Dimmable Fitter



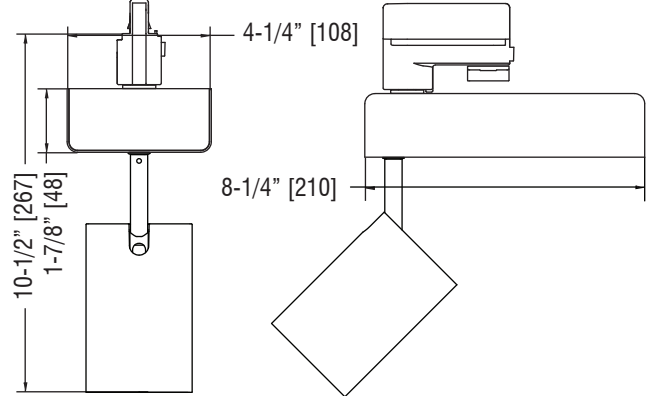
### Stucchi - 3-Circuit ELV Dimmable Fitter



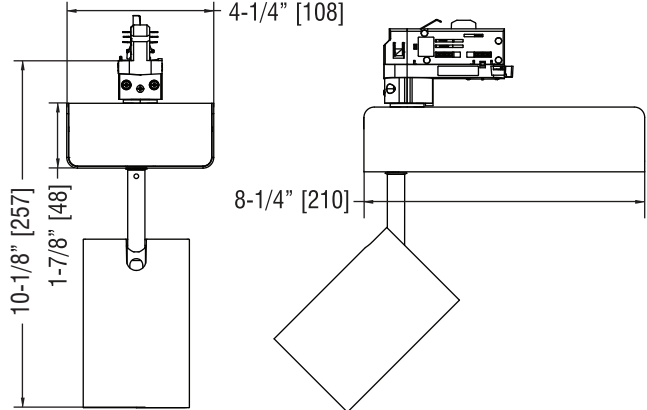
### 9H - Wireless Control Fitter for BusRun



### Stucchi - 2-Circuit 0-10V, DMX and Dali Dimmable Fitter

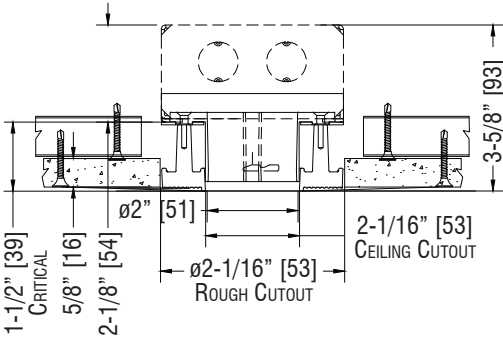


### Stucchi - 3-Circuit 0-10V, DMX and Dali Dimmable Fitter



## Fitter Guide

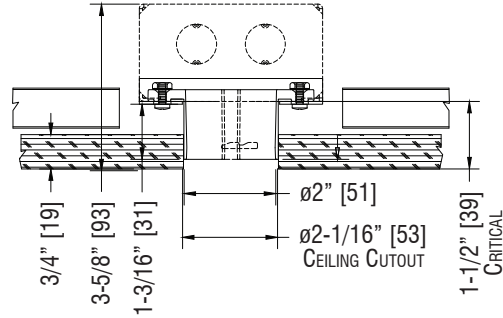
### -7L - 2" Dia. Quick Connect Canopy - Gypsum\*



**-7 Remote Driver**  
(1) 4" sq x 2-1/8"  
J-Box

\* QC-7K-GYP-P/MB  
Canopy Mount ordered  
separately.

### -7L - 2" Dia. Quick Connect Canopy - Wood\*\*

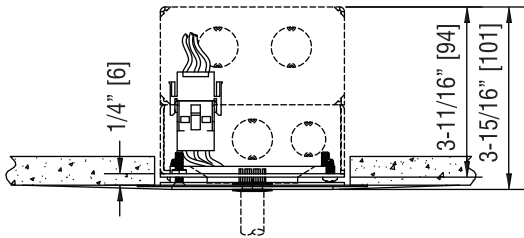


**-7 Remote Driver**  
(1) 4" sq x 2-1/8"  
J-Box

\*\* QC-7K-WD-MB Canopy  
Mount ordered separately.

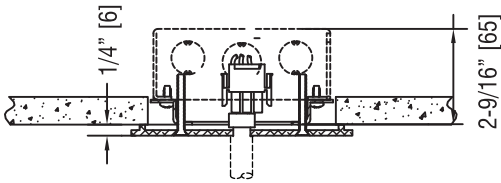
### -5L - 3-1/2" Dia. Quick Connect Canopy

QC-5K-P/MB Canopy Mounted Ordered Separately

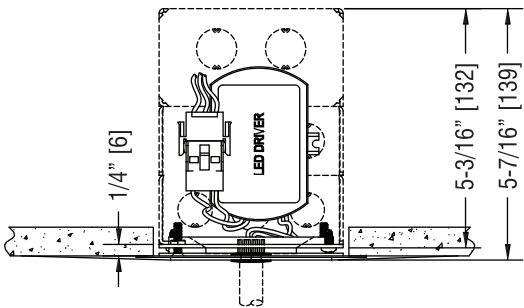


**-5 Remote Driver**  
(1) 4" sq x 2-1/8"  
J-Box  
(1) 4" sq x 1-1/2"  
Extension Box

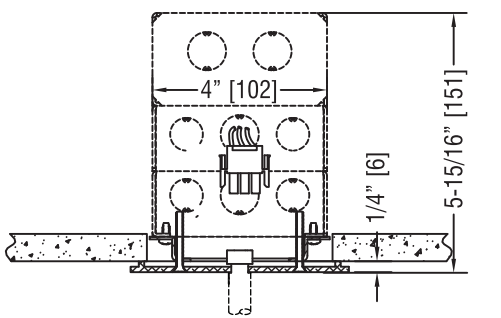
### -3L - 5" Dia. x 1/4" H. Machined Canopy



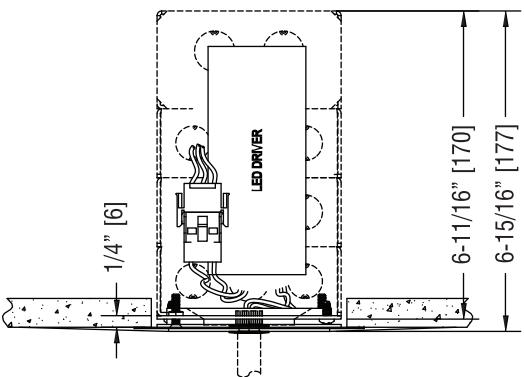
**-3 Remote Driver**  
(1) 4" sq x 1-1/2"  
Extension Box



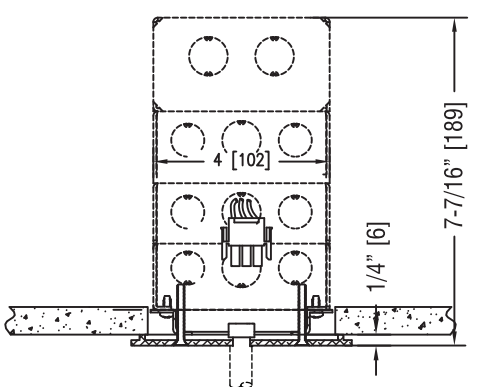
**-5L ELV Driver**  
(1) 4" sq x 2-1/8"  
J-Box  
(2) 4" sq x 1-1/2"  
Extension Box



**-3L ELV Driver**  
(1) 4" sq x 2-1/8"  
J-Box  
(2) 4" sq x 1-1/2"  
Extension Box



**-5L 0-10v, DALI  
and DMX Driver**  
(1) 4" sq x 2-1/8"  
J-Box  
(3) 4" sq x 1-1/2"  
Extension Box



**-3L 0-10v, DALI  
and DMX Driver**  
(1) 4" sq x 2-1/8"  
J-Box  
(3) 4" sq x 1-1/2"  
Extension Box

J-Boxes Supplied by Others

# C30

Xicato  
Static White  
Fixed Object

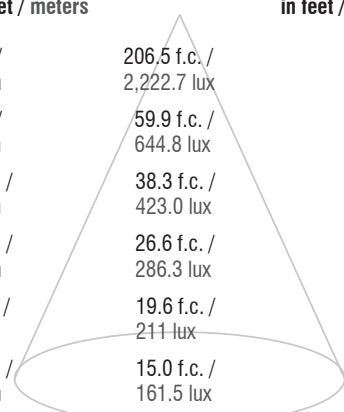
Project Name

Type

## Photometrics

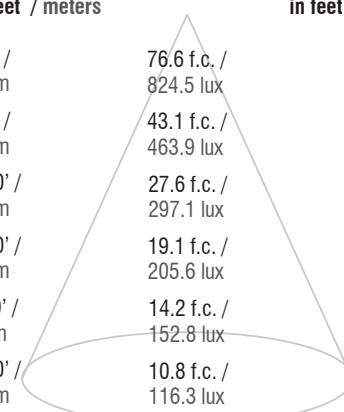
### C30-L20 20° Optic (OL-NB-70MM)

Mounting Height in feet / meters	FC / Lux	Beam Diameter in feet / meters
6.0' / 1.8m	206.5 f.c. / 2,222.7 lux	2.4' / 0.73m
8.0' / 2.4m	59.9 f.c. / 644.8 lux	3.2' / 0.98m
10.0' / 3.0m	38.3 f.c. / 423.0 lux	4.0' / 1.22m
12.0' / 3.7m	26.6 f.c. / 286.3 lux	4.9' / 1.49m
14.0' / 4.3m	19.6 f.c. / 211 lux	5.7' / 1.74m
16.0' / 4.9m	15.0 f.c. / 161.5 lux	6.5' / 1.98m



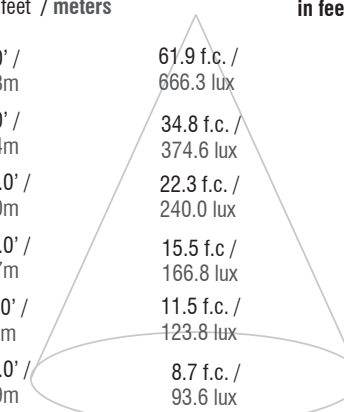
### C30-L20 40° Optic (OL-MB-70MM)

Mounting Height in feet / meters	FC / Lux	Beam Diameter in feet / meters
6.0' / 1.8m	76.6 f.c. / 824.5 lux	3.8' / 1.16m
8.0' / 2.4m	43.1 f.c. / 463.9 lux	5.1' / 1.55m
10.0' / 3.0m	27.6 f.c. / 297.1 lux	6.4' / 1.95m
12.0' / 3.7m	19.1 f.c. / 205.6 lux	7.7' / 2.35m
14.0' / 4.3m	14.2 f.c. / 152.8 lux	9.0' / 2.74m
16.0' / 4.9m	10.8 f.c. / 116.3 lux	10.3' / 3.14m



### C30-L20 60° Optic (OL-WB-70MM)

Mounting Height in feet / meters	FC / Lux	Beam Diameter in feet / meters
6.0' / 1.8m	61.9 f.c. / 666.3 lux	4.0' / 1.22m
8.0' / 2.4m	34.8 f.c. / 374.6 lux	5.3' / 1.62m
10.0' / 3.0m	22.3 f.c. / 240.0 lux	6.6' / 2.01m
12.0' / 3.7m	15.5 f.c. / 166.8 lux	8.0' / 2.44m
14.0' / 4.3m	11.5 f.c. / 123.8 lux	9.3' / 2.83m
16.0' / 4.9m	8.7 f.c. / 93.6 lux	10.6' / 3.23m



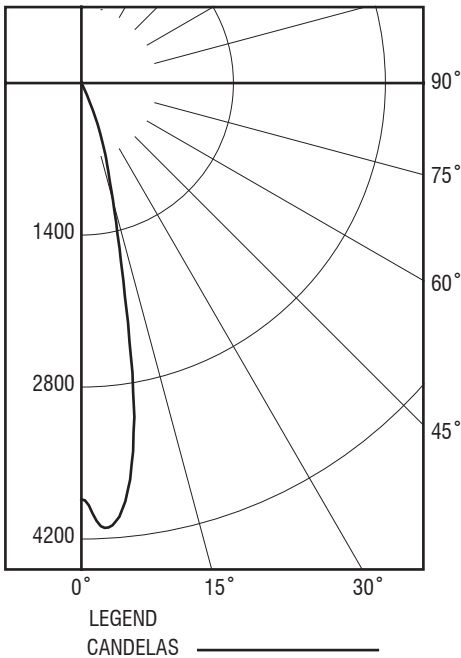
CBCP: 3,834 Cd  
Efficacy: 30.5 lm/w  
Delivered Lumens: 772 lm

CBCP: 2,757 Cd  
Efficacy: 43.9 lm/w  
Delivered Lumens: 1132 lm

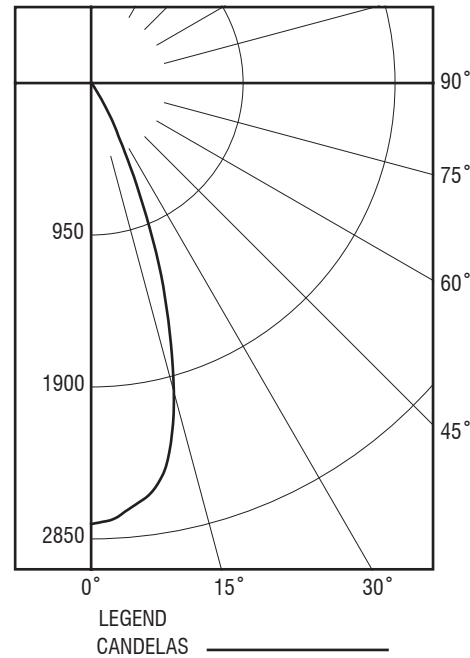
CBCP: 2,229 Cd  
Efficacy: 37.3 lm/w  
Delivered Lumens: 935 lm

For 1400 Lumens, use a derating value of 0.70

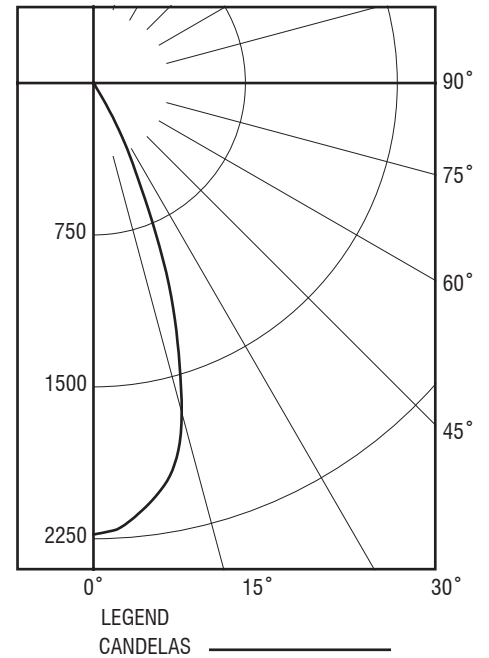
### C30-L20 20° Optic - Polar Diagram



### C30-L20 40° Optic - Polar Diagram



### C30-L20 60° Optic - Polar Diagram



## Accessories

**FIXTURE SIZE CODE (G): Ø2.529" [64mm]**

CUSTOM DISTRIBUTION FILMS AVAILABLE ON REQUEST.

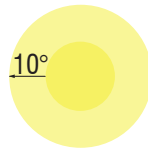
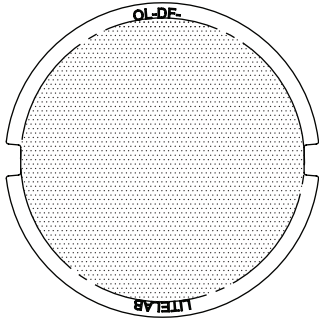
### OL-DF-G (DIFFUSION FILM)

*DIFFUSION FILM: 0.25MM (0.01") FILM SOFTENS BEAM EDGES (FOR USE WITH MULTIPLE MEDIA)*

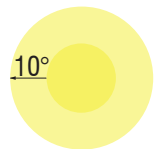
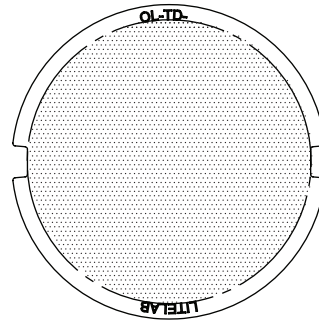
### OL-TD-G (POLYCARBONATE DIFFUSION LENS)

*DIFFUSION FILM: 3MM (0.1") TEXTURED LENS SOFTENS BEAM EDGES (FOR STANDALONE USE)*

DISTRIBUTION DIAGRAM



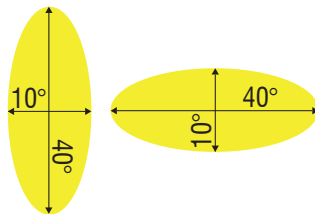
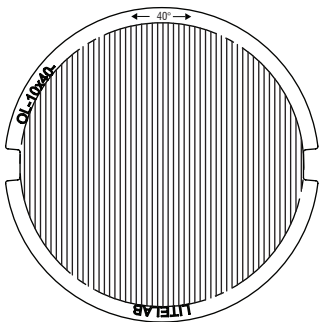
DISTRIBUTION DIAGRAM



### OL-10x40-G (LINEAR SPREAD LENS)

*40° LINEAR SPREAD LENS: 3MM (0.1") ELLIPTICAL SPREAD FOR LONG / LINEAR OBJECTS*

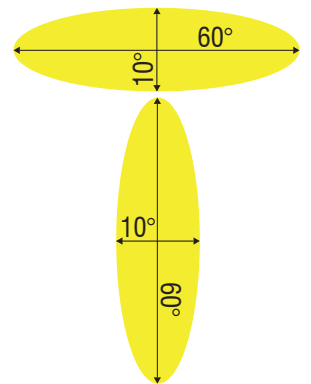
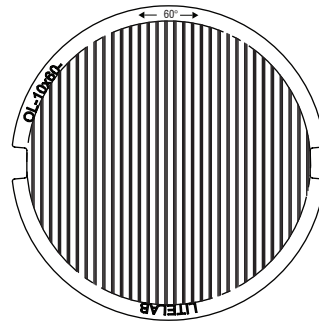
DISTRIBUTION DIAGRAM



### OL-10x60-G (LINEAR SPREAD LENS)

*60° LINEAR SPREAD LENS: 3MM (0.1") ELLIPTICAL SPREAD FOR LONG / LINEAR OBJECTS*

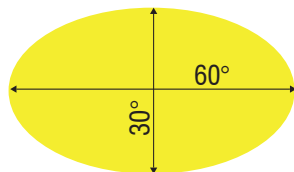
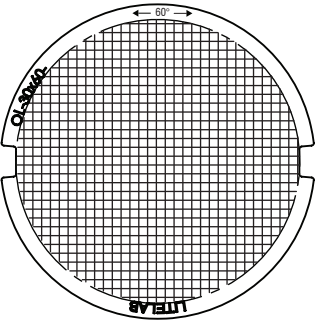
DISTRIBUTION DIAGRAM



### OL-30x60-G (UNIVERSAL SPREAD LENS - INCLUDED)

*UNIVERSAL SPREAD LENS: 3MM (0.1") LENS SPREADS LIGHT UNIVERSALLY FOR WIDER DISTRIBUTION*

DISTRIBUTION DIAGRAM



### LVH/G (HEXCELL LOUVER)

*HEXCELL LOUVER: 3MM (0.1") MATTE BACK FINISH, 45° GLARE CUTOFF FOR VISUAL COMFORT*

