

C30

Tunable White
Fixed Object

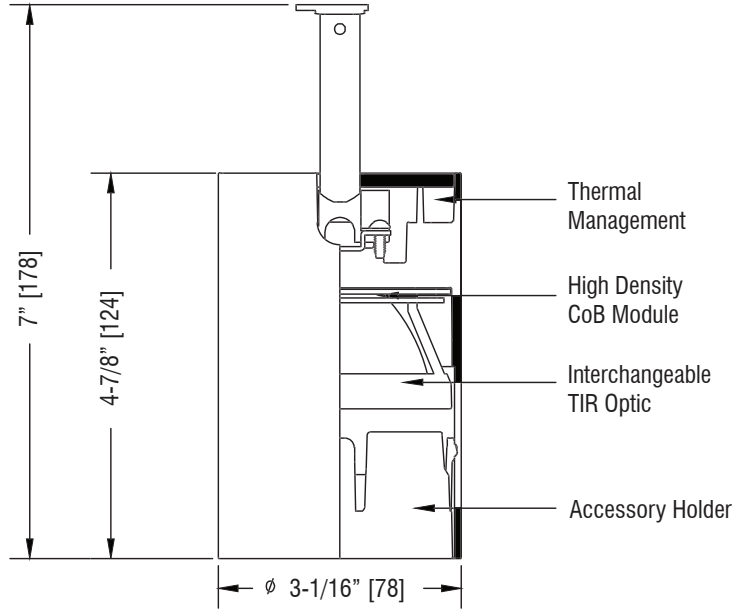
Project Name

Type



Input Requirements

1060 Lumens 120VAC/0.2A/17W
 240VAC/0.1A/18W
 277VAC/0.1A/19W



Enter Catalog Number Sequentially from Left to Right

C30 - - -

Model	Lumens/CRI	CCT	Adaptor	Dimming	Level	Options	Voltage	Finish	Optics
C30	L10 1060/90	TL 18-40	9HC BusRun Clipless w/ Driverbox	W Wireless	C Casambi	S	Switch A 120	P White	1 15°
		TH 27-60	9HD BusRun Deep w/ Driverbox		A Avi-On	N	None D 240	MB Black	2 25°
			9HS BusRun Shallow w/ Driverbox	Z Zigbee		F* 240 (2-Circuit)	C 277	BR Brushed	3 35°
			ST2 2-Circuit Stucchi	M DMX	D Dark				
			ST3 3-Circuit Stucchi	D DALI					
			3L 5" Canopy	Z 0-10					
			5L 3.5" QC Canopy	L Lutron	T T-Series				
			7L 2" QC Canopy (Remote Driver Only)						

ENTER RAL OR OTHER FINISH CODE

- Optics:**
- 15° OL-RS2-ILONA-50-KIT
 - 25° OL-M-ILONA-50-KIT
 - 35° OL-W-ILONA-50-KIT

Flush Fit BusRun Adaptor

Litelab's flush fit BusRun adaptor recesses entirely inside BusRun to provide a clean aesthetic. It is available with a Switch and Rotation Lock or On-Board Potentiometer for individual fixture dimming. BusRun fitters are available dimmable to 1% and can be dimmed proportionally using an ELV dimming system.

Dimming Note

This fixture is provided with LED Drivers suitable for the dimming protocol specified. Dimming performance may vary based on dimmer model or system being used. If exact dimming performance is required, Litelab recommends testing the Litelab fixture with the specified dimmer.

- Accessories: See Page 6**
- OL-DF-g Beam Softening Film
 - OL-TD-g Beam Softening Lens
 - OL-10x40-g Linear Spread Lens
 - OL-10x60-g Linear Spread Lens
 - OL-30x60-g Universal Spread Lens
 - LVH/g Hexell Louver
 - CHB/g-2 Crosshair Baffle

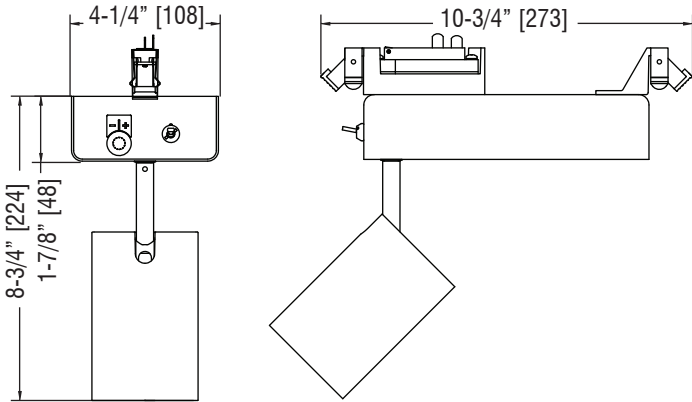


251 Elm Street, Buffalo, NY 14203 USA
 800-238-4120 | www.litelab.com

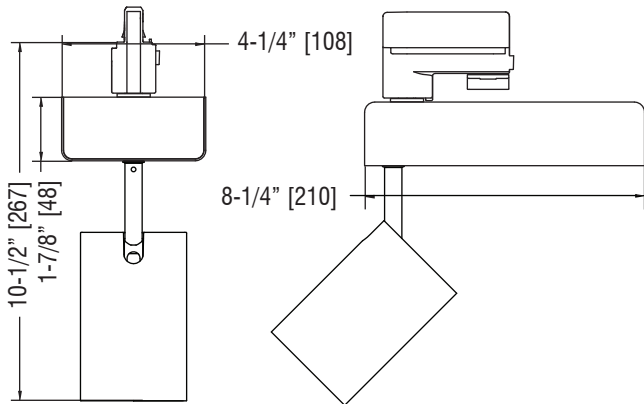


Fitter Guide

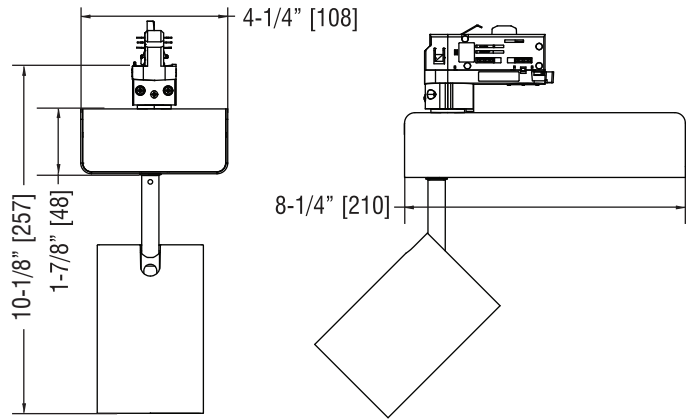
9H - Wireless Control Fitter for BusRun



Stucchi - 2-Circuit DMX and Dali Dimmable Fitter

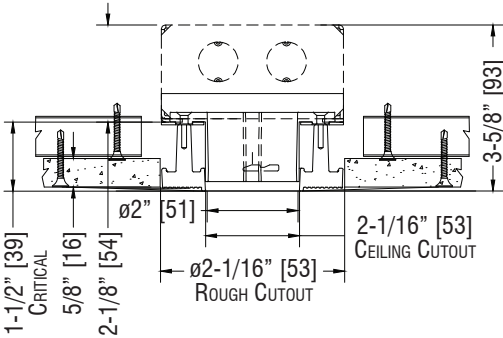


Stucchi - 3-Circuit 0-10V, DMX and Dali Dimmable Fitter



Fitter Guide

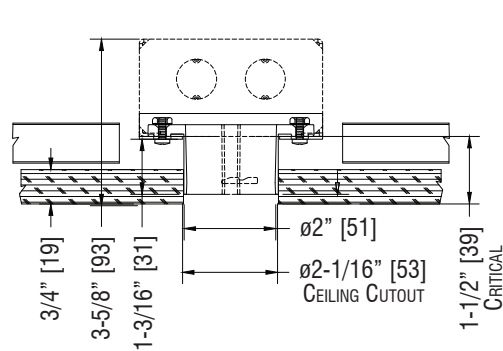
-7L - 2" Dia. Quick Connect Canopy - Gypsum*



-7 Remote Driver
(1) 4" sq x 2-1/8"
J-Box

* QC-7K-GYP-P/MB
Canopy Mount ordered
separately.

-7L - 2" Dia. Quick Connect Canopy - Wood**

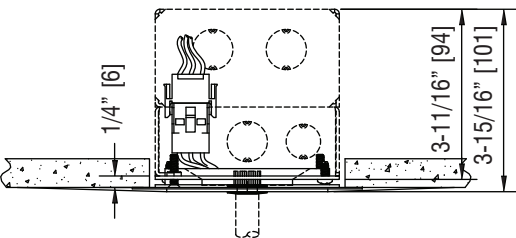


-7 Remote Driver
(1) 4" sq x 2-1/8"
J-Box

** QC-7K-WD-MB Canopy
Mount ordered separately.

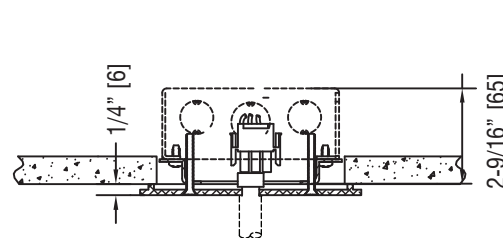
-5L - 3-1/2" Dia. Quick Connect Canopy - Remote Driver

QC-5K-P/MB Canopy Mounted Ordered Separately



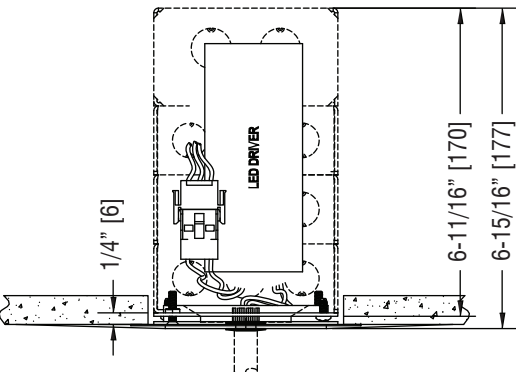
-5 Remote Driver
(1) 4" sq x 2-1/8"
J-Box
(1) 4" sq x 1-1/2"
Extension Box

-3L - 5" Dia. x 1/4" H. Machined Canopy - Remote Driver



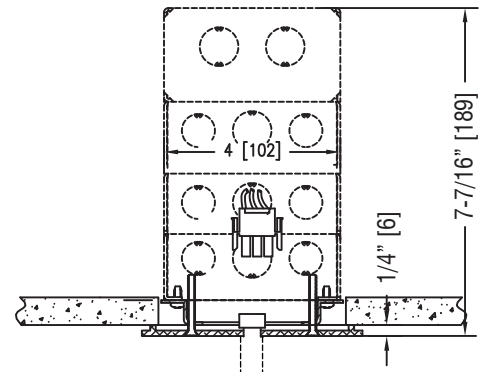
-3 Remote Driver
(1) 4" sq x 1-1/2"
Extension Box

-5L - 3-1/2" Dia. Quick Connect Canopy - Integral Driver



**-5L 0-10v, DALI
and DMX Driver**
(1) 4" sq x 2-1/8"
J-Box
(3) 4" sq x 1-1/2"
Extension Box

-3L - 5" Dia. x 1/4" H. Machined Canopy - Integral Driver



**-3L 0-10v, DALI
and DMX Driver**
(1) 4" sq x 2-1/8"
J-Box
(3) 4" sq x 1-1/2"
Extension Box

Note: In all instances, Junction Box is by others.

C30

Tunable White
Fixed Object

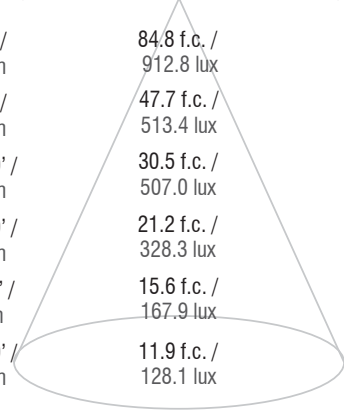
Project Name

Type

Photometrics

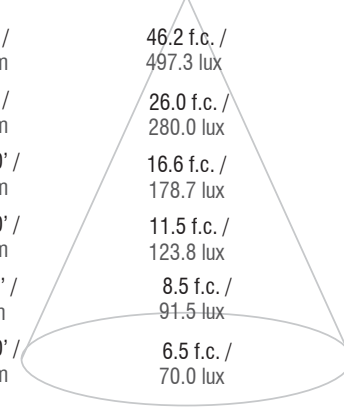
C30-L10 15° Optic, 2700K (OL-RS2-ILONA-50-KIT)

Mounting Height in feet / meters	FC / Lux	Beam Diameter in feet / meters
6.0' / 1.8m	84.8 f.c. / 912.8 lux	1.6' / 0.5m
8.0' / 2.4m	47.7 f.c. / 513.4 lux	2.1' / 0.6m
10.0' / 3.0m	30.5 f.c. / 507.0 lux	2.7' / 0.8m
12.0' / 3.7m	21.2 f.c. / 328.3 lux	3.2' / 1.0m
14.0' / 4.3m	15.6 f.c. / 167.9 lux	3.7' / 1.1m
16.0' / 4.9m	11.9 f.c. / 128.1 lux	4.3' / 1.3m



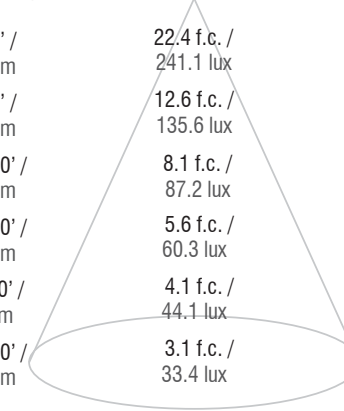
C30-L10 25° Optic, 2700K (OL-M-ILONA-50-KIT)

Mounting Height in feet / meters	FC / Lux	Beam Diameter in feet / meters
6.0' / 1.8m	46.2 f.c. / 497.3 lux	2.3' / 0.7m
8.0' / 2.4m	26.0 f.c. / 280.0 lux	3.1' / 0.9m
10.0' / 3.0m	16.6 f.c. / 178.7 lux	3.9' / 1.2m
12.0' / 3.7m	11.5 f.c. / 123.8 lux	4.7' / 1.4m
14.0' / 4.3m	8.5 f.c. / 91.5 lux	5.4' / 1.6m
16.0' / 4.9m	6.5 f.c. / 70.0 lux	6.7' / 2.0m



C30-L10 35° Optic, 2700K (OL-W-ILONA-50-KIT)

Mounting Height in feet / meters	FC / Lux	Beam Diameter in feet / meters
6.0' / 1.8m	22.4 f.c. / 241.1 lux	3.2' / 1.0m
8.0' / 2.4m	12.6 f.c. / 135.6 lux	4.3' / 1.3m
10.0' / 3.0m	8.1 f.c. / 87.2 lux	5.4' / 1.6m
12.0' / 3.7m	5.6 f.c. / 60.3 lux	6.5' / 2.0m
14.0' / 4.3m	4.1 f.c. / 44.1 lux	7.5' / 2.3m
16.0' / 4.9m	3.1 f.c. / 33.4 lux	8.6' / 2.6m

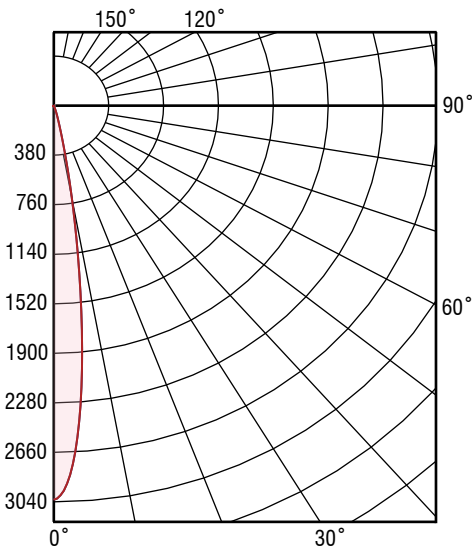


CBCP:	3,053 Cd
Efficacy:	36 lm/w
Delivered Lumens:	262 lm

CBCP:	1,662 Cd
Efficacy:	38 lm/w
Delivered Lumens:	276 lm

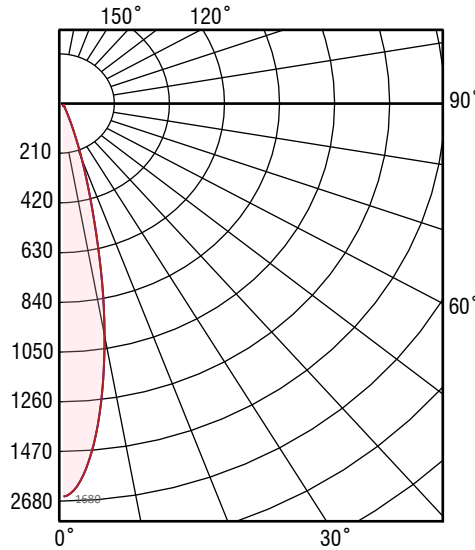
CBCP:	806 Cd
Efficacy:	33.6 lm/w
Delivered Lumens:	245 lm

C30-L10 15° Optic, 2700K - Polar Diagram



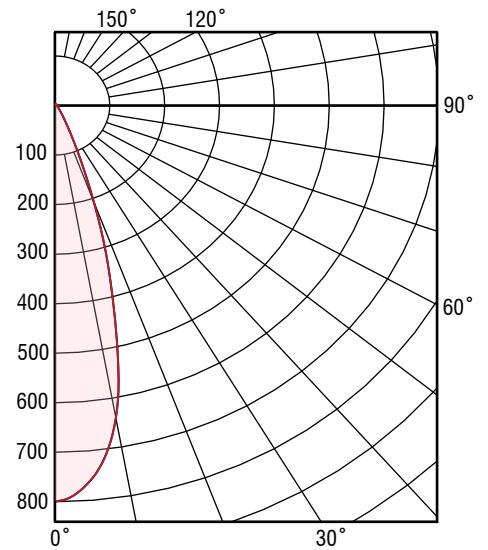
LEGEND
CANDELAS 

C30-L10 25° Optic, 2700K - Polar Diagram



LEGEND
CANDELAS 

C30-L10 35° Optic, 2700K - Polar Diagram



LEGEND
CANDELAS 

C30

Tunable White
Fixed Object

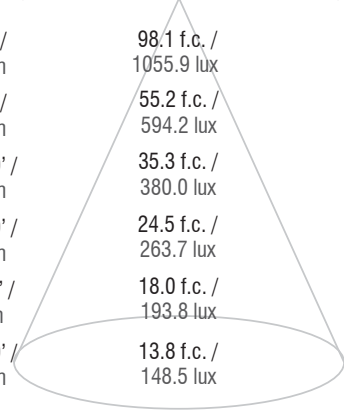
Project Name

Type

Photometrics

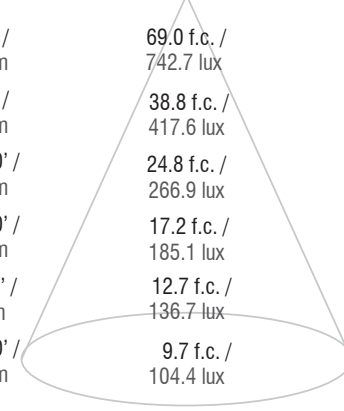
C30-L10 15° Optic, 6500K (OL-RS2-ILONA-50-KIT)

Mounting Height in feet / meters	FC / Lux	Beam Diameter in feet / meters
6.0' / 1.8m	98.1 f.c. / 1055.9 lux	1.9' / 0.6m
8.0' / 2.4m	55.2 f.c. / 594.2 lux	2.5' / 0.8m
10.0' / 3.0m	35.3 f.c. / 380.0 lux	3.1' / 0.9m
12.0' / 3.7m	24.5 f.c. / 263.7 lux	3.7' / 1.1m
14.0' / 4.3m	18.0 f.c. / 193.8 lux	4.4' / 1.3m
16.0' / 4.9m	13.8 f.c. / 148.5 lux	5.0' / 1.5m



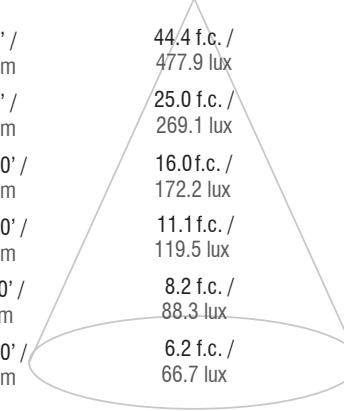
C30-L10 25° Optic, 6500K (OL-M-ILONA-50-KIT)

Mounting Height in feet / meters	FC / Lux	Beam Diameter in feet / meters
6.0' / 1.8m	69.0 f.c. / 742.7 lux	2.4' / 0.7m
8.0' / 2.4m	38.8 f.c. / 417.6 lux	3.2' / 1.0m
10.0' / 3.0m	24.8 f.c. / 266.9 lux	4.0' / 1.2m
12.0' / 3.7m	17.2 f.c. / 185.1 lux	4.8' / 1.5m
14.0' / 4.3m	12.7 f.c. / 136.7 lux	5.6' / 1.7m
16.0' / 4.9m	9.7 f.c. / 104.4 lux	6.3' / 1.9m



C30-L10 35° Optic, 6500K (OL-W-ILONA-50-KIT)

Mounting Height in feet / meters	FC / Lux	Beam Diameter in feet / meters
6.0' / 1.8m	44.4 f.c. / 477.9 lux	2.9' / 0.9m
8.0' / 2.4m	25.0 f.c. / 269.1 lux	3.8' / 1.2m
10.0' / 3.0m	16.0 f.c. / 172.2 lux	4.8' / 1.5m
12.0' / 3.7m	11.1 f.c. / 119.5 lux	5.7' / 1.7m
14.0' / 4.3m	8.2 f.c. / 88.3 lux	6.7' / 2.0m
16.0' / 4.9m	6.2 f.c. / 66.7 lux	7.7' / 2.3m

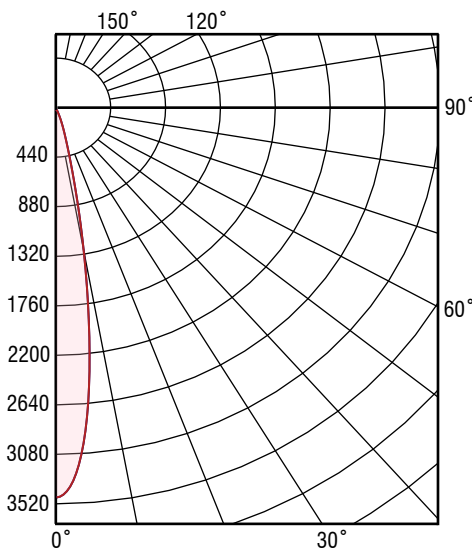


CBCP: 3,530 Cd
Efficacy: 36.9 lm/w
Delivered Lumens: 409 lm

CBCP: 2,483 Cd
Efficacy: 40.5 lm/w
Delivered Lumens: 448 lm

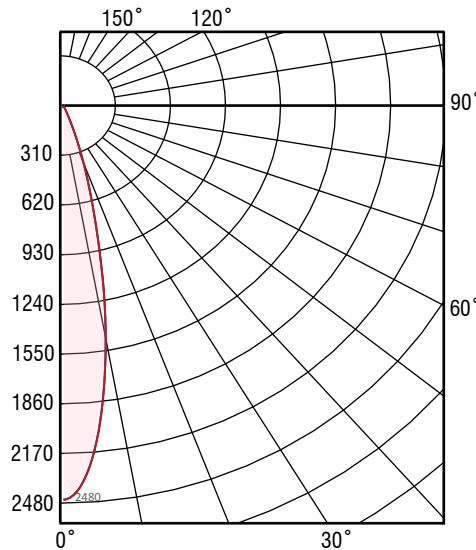
CBCP: 1,598 Cd
Efficacy: 37.5 lm/w
Delivered Lumens: 416 lm

C30-L10 15° Optic, 6500K - Polar Diagram



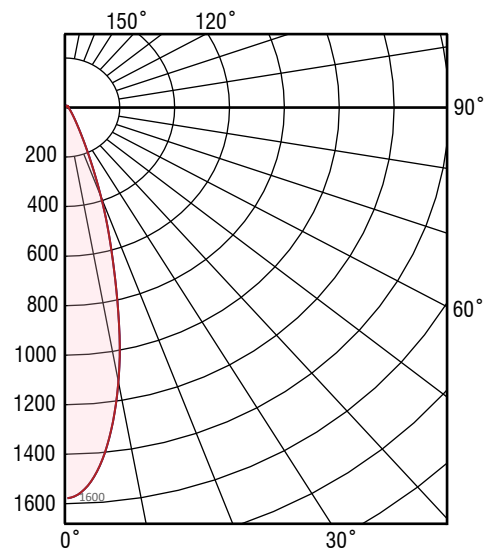
LEGEND
CANDELAS

C30-L10 25° Optic, 6500K - Polar Diagram



LEGEND
CANDELAS

C30-L10 35° Optic, 6500K - Polar Diagram



LEGEND
CANDELAS

Accessories

FIXTURE SIZE CODE (G): Ø2.529" [64mm]

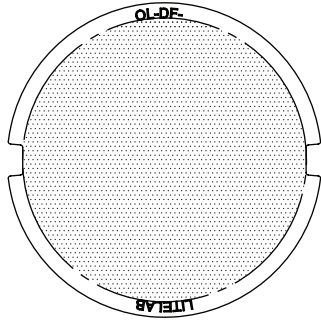
CUSTOM DISTRIBUTION FILMS AVAILABLE ON REQUEST.

OL-DF-G (DIFFUSION FILM)

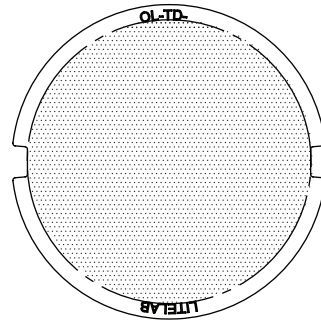
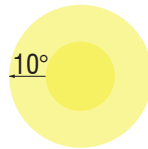
DIFFUSION FILM: 0.25MM (0.01") FILM SOFTENS BEAM EDGES (FOR USE WITH MULTIPLE MEDIA)

OL-TD-G (POLYCARBONATE DIFFUSION LENS)

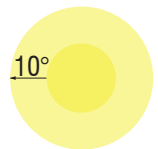
DIFFUSION FILM: 3MM (0.1") TEXTURED LENS SOFTENS BEAM EDGES (FOR STANDALONE USE)



DISTRIBUTION DIAGRAM



DISTRIBUTION DIAGRAM

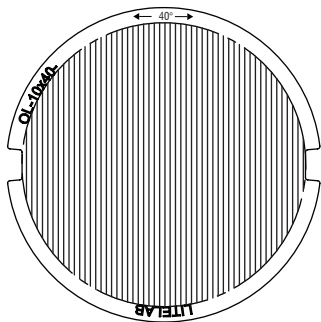


OL-10x40-G (LINEAR SPREAD LENS)

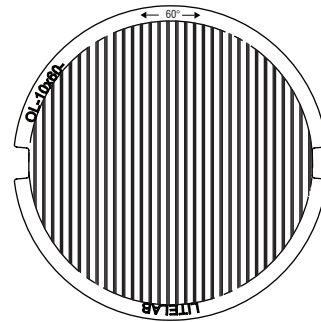
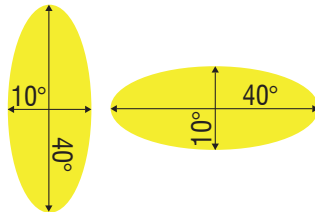
40° LINEAR SPREAD LENS: 3MM (0.1") ELLIPTICAL SPREAD FOR LONG / LINEAR OBJECTS

OL-10x60-G (LINEAR SPREAD LENS)

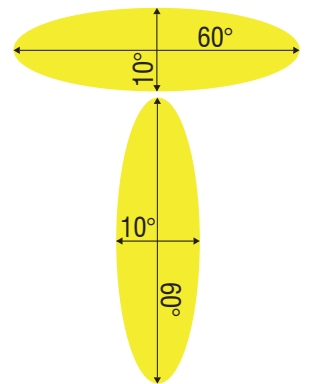
60° LINEAR SPREAD LENS: 3MM (0.1") ELLIPTICAL SPREAD FOR LONG / LINEAR OBJECTS



DISTRIBUTION DIAGRAM



DISTRIBUTION DIAGRAM

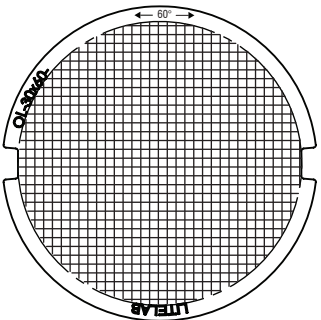


OL-30x60-G (UNIVERSAL SPREAD LENS - INCLUDED)

UNIVERSAL SPREAD LENS: 3MM (0.1") LENS SPREADS LIGHT UNIVERSALLY FOR WIDER DISTRIBUTION

LVH/G (HEXCELL LOUVER)

HEXCELL LOUVER: 3MM (0.1") MATTE BACK FINISH, 45° GLARE CUTOFF FOR VISUAL COMFORT



DISTRIBUTION DIAGRAM

