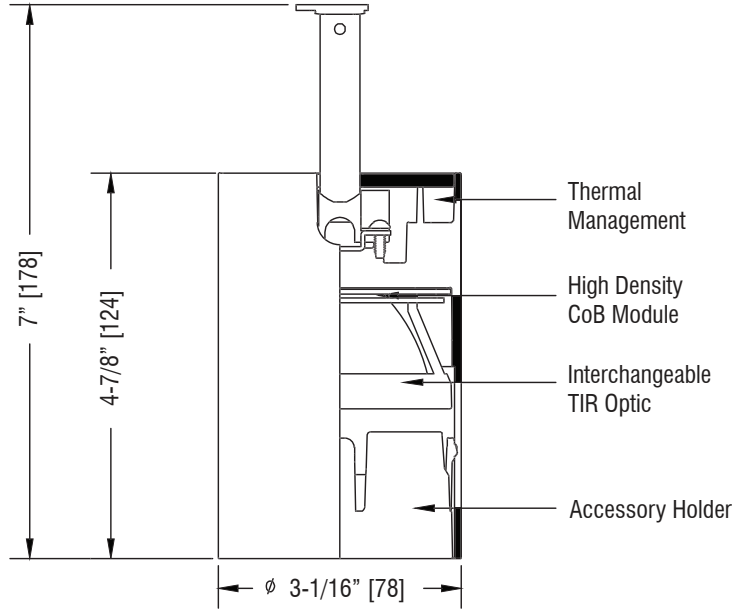


C30

Static White
Fixed Object

Project Name

Type



Input Requirements

1800/1550 Lumens	120VAC/0.19A/23W
	240VAC/0.12A/25W
	277VAC/0.10A/25W
1300/1100 Lumens	120VAC/0.15A/19W
	240 VAC/0.08A/19W
	277 VAC/0.07A/19W

Enter Catalog Number Sequentially from Left to Right

C30 - - -

Model	Lumens/CRI	CCT	Adaptor	Dimming	Level	Options	Voltage	Finish	Optics	
C30	L18	1800/92	27	2700	9TC BusRun Clipless	E ELV 1 1%	P* Potentiometer	A 120	P White	1 10°
	L15	1550/98	30	3000	9TD BusRun Deep		R** Rotation Lock	D 240	MB Black	2 20°
	L13	1300/92	35	3500	9TS BusRun Shallow		SP* Switch w/ Potentiometer	F* 240 (2-Circuit)	BR Brushed	3 30°
	L11	1100/98	40	4000			SR** Switch w/ Rotation Lock	C 277	CP Custom	
					9HC BusRun Clipless w/ Driverbox	E ELV 0 10%	<p>* Potentiometers are available on ELV dimmable or non-dimming circuits only.</p> <p>** Rotation Lock and type "F" voltage are exclusive to 9T fitters. Rotation Lock is not available with Potentiometer.</p>			
					9HD BusRun Deep w/ Driverbox	W Wire-less				C Casambi
					9HS BusRun Shallow w/ Driverbox	Z Zigbee				A Avi-On
						T Athena RF				
					ST2 2-Circuit Stucchi	E ELV 0 10%	<p>Optics:</p> <p>10° OL-NB-70MM-KIT</p> <p>20° OL-MB-70MM-KIT</p> <p>30° OL-WB-70MM-KIT</p>			
					ST3 3-Circuit Stucchi	Z 0-10 1 1%				
					3L 5" Canopy	M DMX D Dark				
					5L 3.5" QC Canopy	D DALI				
					7L 2" QC Canopy (Remote Driver Only)					



ENTER RAL OR OTHER FINISH CODE

Flush Fit BusRun Adaptor

Litelab's flush fit BusRun adaptor recesses entirely inside BusRun to provide a clean aesthetic. It is available with a Switch and Rotation Lock or On-Board Potentiometer for individual fixture dimming. BusRun fitters are available dimmable to 1% and can be dimmed proportionally using an ELV dimming system.

Dimming Note

This fixture is provided with LED Drivers suitable for the dimming protocol specified. Dimming performance may vary based on dimmer model or system being used. If exact dimming performance is required, Litelab recommends testing the Litelab fixture with the specified dimmer.

Accessories: See Page 5

- OL-DF-g Beam Softening Film
- OL-TD-g Beam Softening Lens
- OL-10x40-g Linear Spread Lens
- OL-10x60-g Linear Spread Lens
- OL-30x60-g Universal Spread Lens
- LVH/g Hexell Louver
- CHB/g-2 Crosshair Baffle

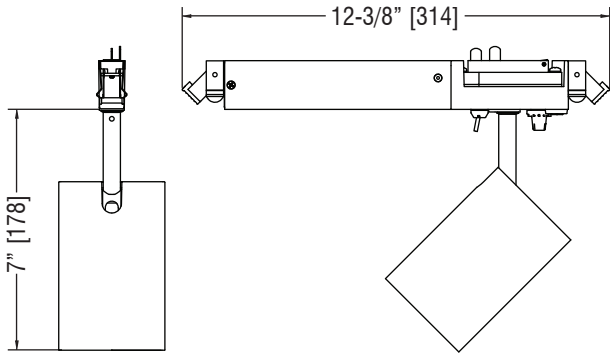


251 Elm Street, Buffalo, NY 14203 USA
800-238-4120 | www.litelab.com



Fitter Guide

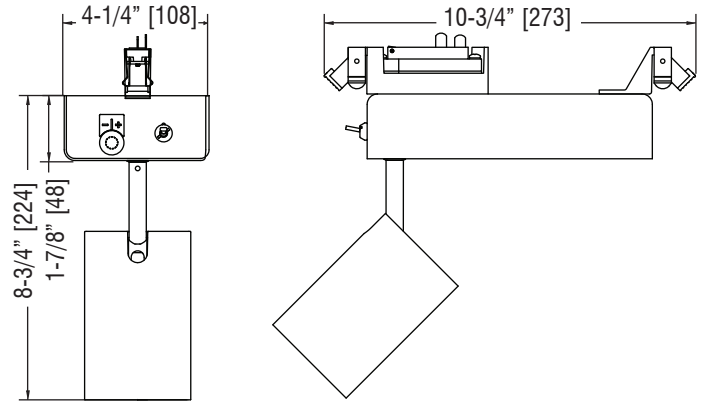
9TC* - 120/240/277v Recessed BusRun Fitter - ELV Dimmable Only - 1%



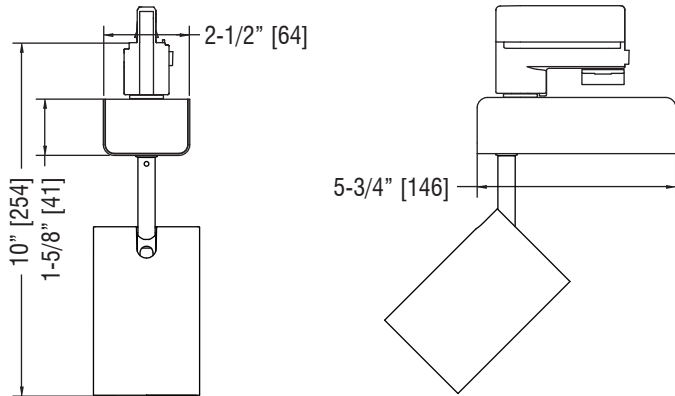
Universal Voltage Fitter, Available with an optional Switch and Rotation Lock or Potentiometer - Dimmable to 1%.

Switch not available for 277 V.

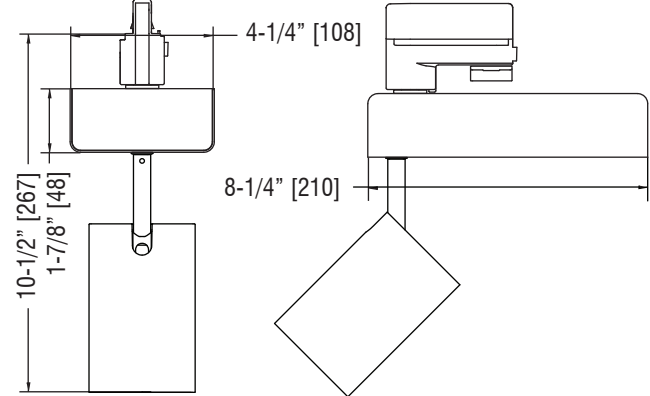
9H - Wireless Control Fitter for BusRun



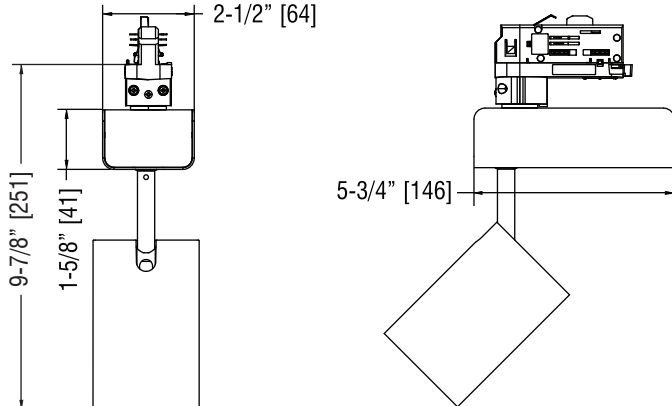
Stucchi - 2-Circuit ELV Dimmable Fitter



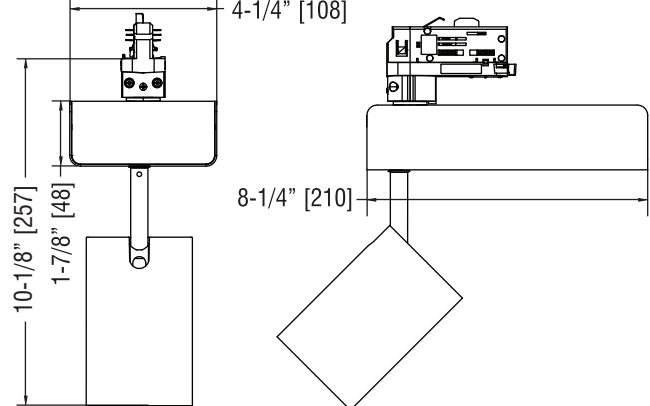
Stucchi - 2-Circuit 0-10V, DMX and Dali Dimmable Fitter



Stucchi - 3-Circuit ELV Dimmable Fitter

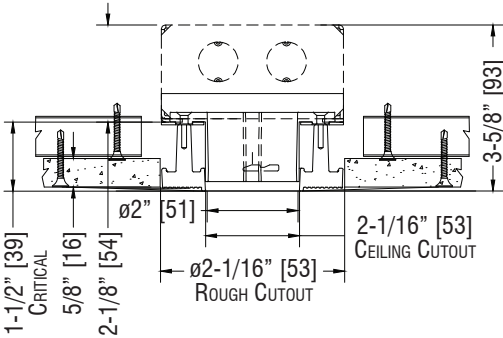


Stucchi - 3-Circuit 0-10V, DMX and Dali Dimmable Fitter



Fitter Guide

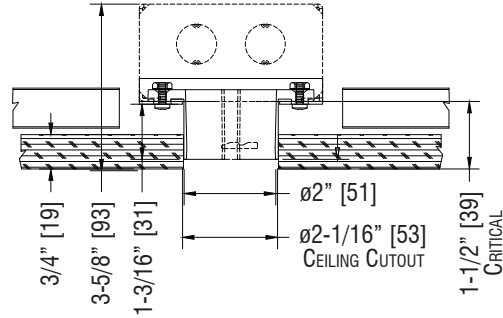
-7L - 2" Dia. Quick Connect Canopy - Gypsum*



-7 Remote Driver
(1) 4" sq x 2-1/8"
J-Box

* QC-7K-GYP-P/MB
Canopy Mount ordered
separately.

-7L - 2" Dia. Quick Connect Canopy - Wood**

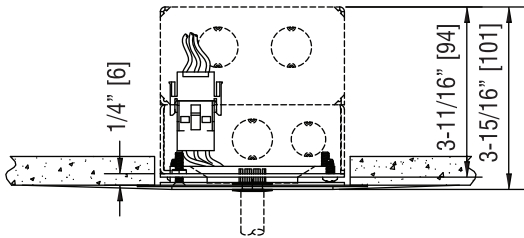


-7 Remote Driver
(1) 4" sq x 2-1/8"
J-Box

** QC-7K-WD-MB Canopy
Mount ordered separately.

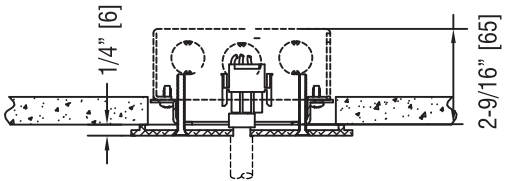
-5L - 3-1/2" Dia. Quick Connect Canopy

QC-5K-P/MB Canopy Mounted Ordered Separately

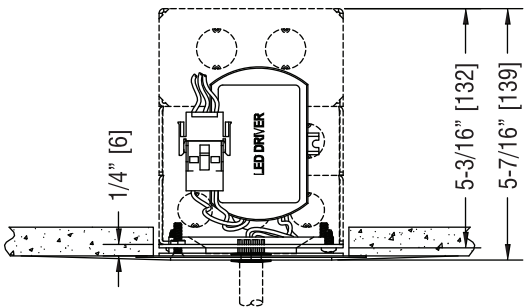


-5 Remote Driver
(1) 4" sq x 2-1/8"
J-Box
(1) 4" sq x 1-1/2"
Extension Box

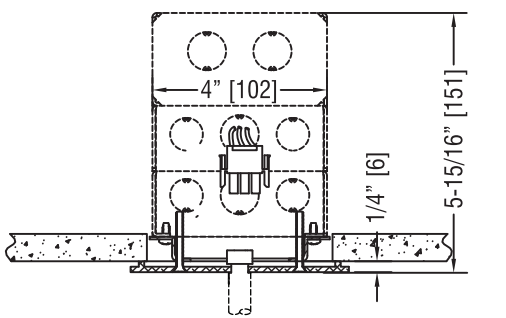
-3L - 5" Dia. x 1/4" H. Machined Canopy



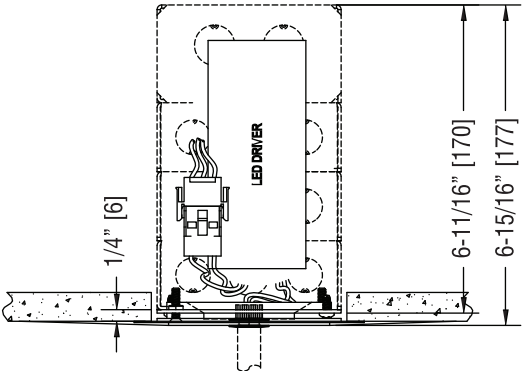
-3 Remote Driver
(1) 4" sq x 1-1/2"
Extension Box



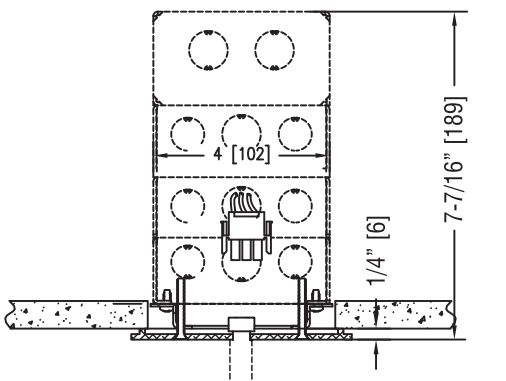
-5L ELV Driver
(1) 4" sq x 2-1/8"
J-Box
(2) 4" sq x 1-1/2"
Extension Box



-3L ELV Driver
(1) 4" sq x 2-1/8"
J-Box
(2) 4" sq x 1-1/2"
Extension Box



**-5L 0-10v, DALI
and DMX Driver**
(1) 4" sq x 2-1/8"
J-Box
(3) 4" sq x 1-1/2"
Extension Box



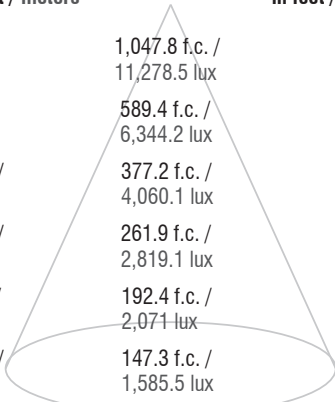
**-3L 0-10v, DALI
and DMX Driver**
(1) 4" sq x 2-1/8"
J-Box
(3) 4" sq x 1-1/2"
Extension Box

J-Boxes Supplied by Others

Photometrics

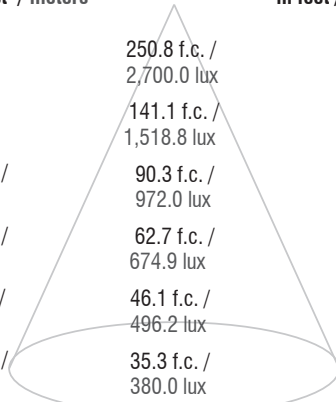
C30-L18 10° Optic (OL-NB-70MM)

Mounting Height in feet / meters	FC / Lux	Beam Diameter in feet / meters
6.0' / 1.8m	1,047.8 f.c. / 11,278.5 lux	1.1' / 0.34m
8.0' / 2.4m	589.4 f.c. / 6,344.2 lux	1.4' / 0.43m
10.0' / 3.0m	377.2 f.c. / 4,060.1 lux	1.8' / 0.55m
12.0' / 3.7m	261.9 f.c. / 2,819.1 lux	2.1' / 0.64m
14.0' / 4.3m	192.4 f.c. / 2,071 lux	2.5' / 0.76m
16.0' / 4.9m	147.3 f.c. / 1,585.5 lux	2.8' / 0.85m



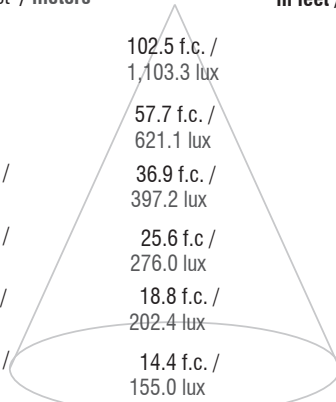
C30-L18 20° Optic (OL-MB-70MM)

Mounting Height in feet / meters	FC / Lux	Beam Diameter in feet / meters
6.0' / 1.8m	250.8 f.c. / 2,700.0 lux	2.3' / 0.70m
8.0' / 2.4m	141.1 f.c. / 1,518.8 lux	3.1' / 0.94m
10.0' / 3.0m	90.3 f.c. / 972.0 lux	3.8' / 1.2m
12.0' / 3.7m	62.7 f.c. / 674.9 lux	4.6' / 1.4m
14.0' / 4.3m	46.1 f.c. / 496.2 lux	5.4' / 1.6m
16.0' / 4.9m	35.3 f.c. / 380.0 lux	6.1' / 1.9m



C30-L18 30° Optic (OL-WB-70MM)

Mounting Height in feet / meters	FC / Lux	Beam Diameter in feet / meters
6.0' / 1.8m	102.5 f.c. / 1,103.3 lux	3.4' / 1.0m
8.0' / 2.4m	57.7 f.c. / 621.1 lux	4.5' / 1.4m
10.0' / 3.0m	36.9 f.c. / 397.2 lux	5.6' / 1.7m
12.0' / 3.7m	25.6 f.c. / 276.0 lux	6.8' / 2.1m
14.0' / 4.3m	18.8 f.c. / 202.4 lux	7.9' / 2.4m
16.0' / 4.9m	14.4 f.c. / 155.0 lux	9.0' / 2.7m



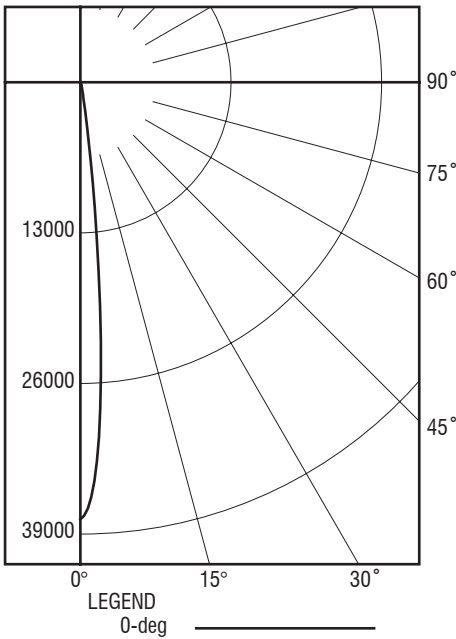
CBCP:	37,719 Cd
Efficacy:	66.1 lm/w
Delivered Lumens:	1442lm

CBCP:	9,030 Cd
Efficacy:	65.9 lm/w
Delivered Lumens:	1431lm

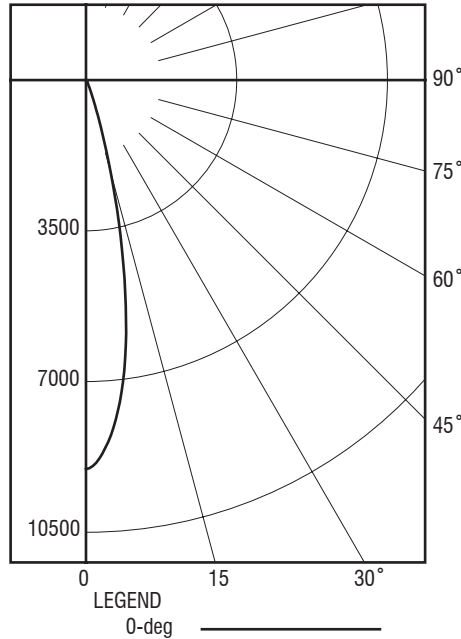
CBCP:	3,690 Cd
Efficacy:	155.0 lm/w
Delivered Lumens:	1235lm

For 1550 Lumen/98 CRI, use a derating value of 0.86

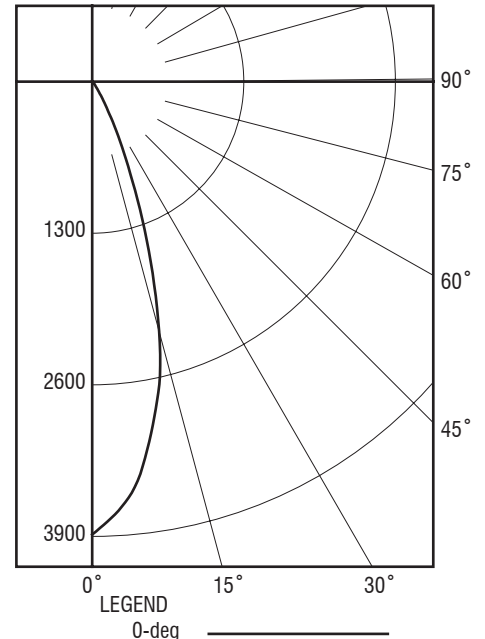
C30-L18 10° Optic - Polar Diagram



C30-L18 20° Optic - Polar Diagram



C30-L18 30° Optic - Polar Diagram



Accessories

FIXTURE SIZE CODE (G): Ø2.529" [64mm]

CUSTOM DISTRIBUTION FILMS AVAILABLE ON REQUEST.

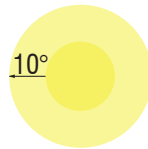
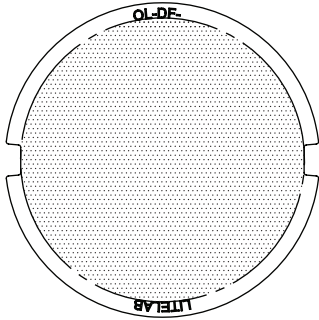
OL-DF-G (DIFFUSION FILM)

DIFFUSION FILM: 0.25MM (0.01") FILM SOFTENS BEAM EDGES (FOR USE WITH MULTIPLE MEDIA)

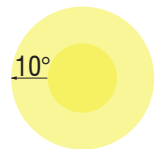
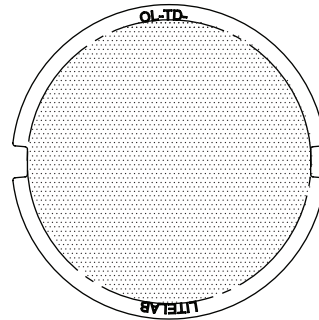
OL-TD-G (POLYCARBONATE DIFFUSION LENS)

DIFFUSION FILM: 3MM (0.1") TEXTURED LENS SOFTENS BEAM EDGES (FOR STANDALONE USE)

DISTRIBUTION DIAGRAM



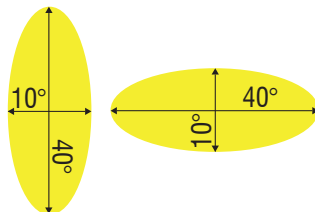
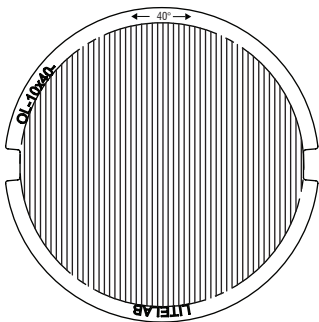
DISTRIBUTION DIAGRAM



OL-10x40-G (LINEAR SPREAD LENS)

40° LINEAR SPREAD LENS: 3MM (0.1") ELLIPTICAL SPREAD FOR LONG / LINEAR OBJECTS

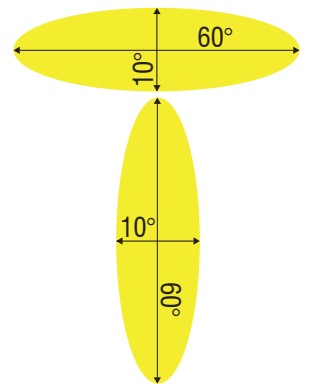
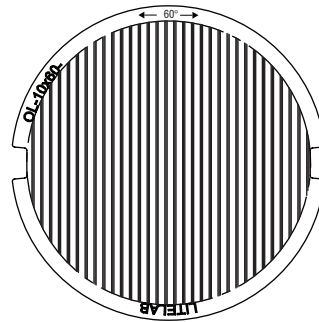
DISTRIBUTION DIAGRAM



OL-10x60-G (LINEAR SPREAD LENS)

60° LINEAR SPREAD LENS: 3MM (0.1") ELLIPTICAL SPREAD FOR LONG / LINEAR OBJECTS

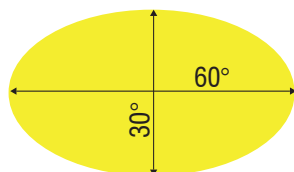
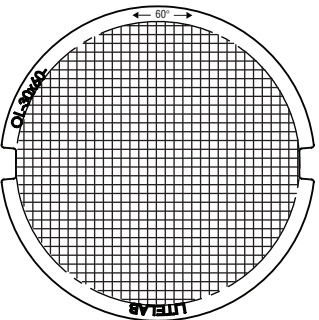
DISTRIBUTION DIAGRAM



OL-30x60-G (UNIVERSAL SPREAD LENS - INCLUDED)

UNIVERSAL SPREAD LENS: 3MM (0.1") LENS SPREADS LIGHT UNIVERSALLY FOR WIDER DISTRIBUTION

DISTRIBUTION DIAGRAM



LVH/G (HEXCELL LOUVER)

HEXCELL LOUVER: 3MM (0.1") MATTE BACK FINISH, 45° GLARE CUTOFF FOR VISUAL COMFORT

