

C30

Dim-to-Warm
Fixed Object

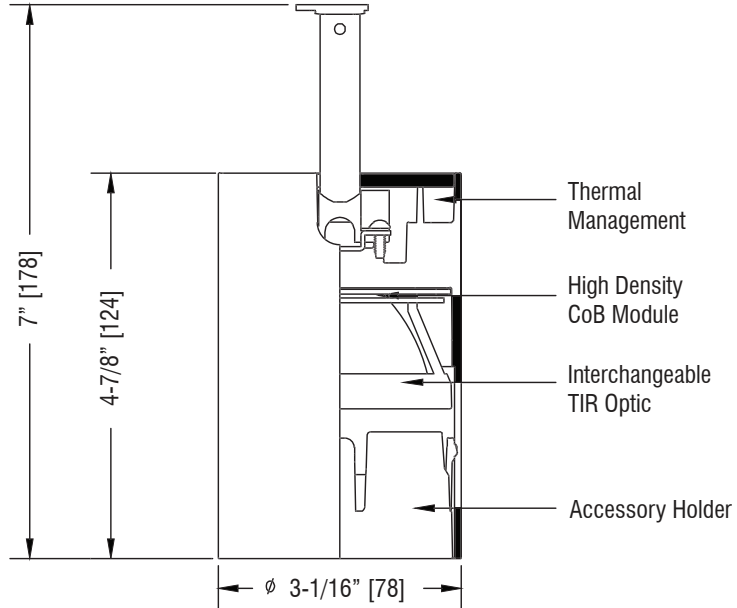
Project Name

Type



Input Requirements

1000 Lumens 120VAC/0.1A/16W
 240VAC/0.1A/16W
 277VAC/0.1A/16W



Enter Catalog Number Sequentially from Left to Right

C30 - - -

Model	Lumens/CRI	CCT	Adaptor	Dimming	Level	Options	Voltage	Finish	Optics			
C30	L10 1000/90	DL 27-18 DH 30-18	9TC BusRun Clipless	E	ELV	5	5%	P* Potentiometer	A 120	P White	1 15°	
			9TD BusRun Deep					R** Rotation Lock	D 240	MB Black	2 25°	
			9TS BusRun Shallow					SP* Switch w/ Potentiometer	F* 240 (2-Circuit)	BR Brushed	3 35°	
			9HC BusRun Clipless w/ Driverbox	E	ELV	0	10%	SR** Switch w/ Rotation Lock	C 277	CP Custom		
			9HD BusRun Deep w/ Driverbox	N	Local			* Except when used with 9T fitters, Potentiometers can only be used on non-dimming circuits. ** Rotation Lock and type "F" voltage are exclusive to 9T Fitters. Rotation Lock not available with Potentiometer.				
			9HS BusRun Shallow w/ Driverbox	W	Wire- less	C	Casambi					
						A	Avi-On					
						Z	Zigbee					
						T	Athena RF					
			ST2 2-Circuit Stucchi	E	ELV	0	10%					
			ST3 3-Circuit Stucchi	N	Local							
			3L 5" Canopy	Z	0-10	D	Dark					
5L 3.5" QC Canopy	M	DMX										
7L 2" QC Canopy (Remote Driver Only)	D	DALI										



ENTER RAL OR
OTHER FINISH
CODE

- Optics:**
- 15° OL-RS2-ILONA-50-KIT
 - 25° OL-M-ILONA-50-KIT
 - 35° OL-W-ILONA-50-KIT

Flush Fit BusRun Adaptor

Litelab's flush fit BusRun adaptor recesses entirely inside BusRun to provide a clean aesthetic. It is available with a Switch and Rotation Lock or On-Board Potentiometer for individual fixture dimming. BusRun fitters are available dimmable to 1% and can be dimmed proportionally using an ELV dimming system.

Dimming Note

This fixture is provided with LED Drivers suitable for the dimming protocol specified. Dimming performance may vary based on dimmer model or system being used. If exact dimming performance is required, Litelab recommends testing the Litelab fixture with the specified dimmer.

Accessories: See Page 5

- OL-DF-g Beam Softening Film
- OL-TD-g Beam Softening Lens
- OL-10x40-g Linear Spread Lens
- OL-10x60-g Linear Spread Lens
- OL-30x60-g Universal Spread Lens
- LVH/g Hexell Louver
- CHB/g-2 Crosshair Baffle

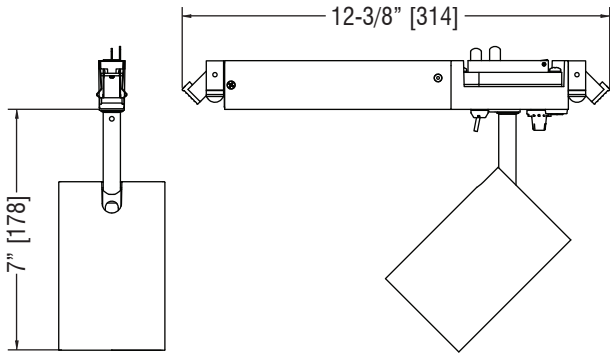


251 Elm Street, Buffalo, NY 14203 USA
 800-238-4120 | www.litelab.com



Fitter Guide

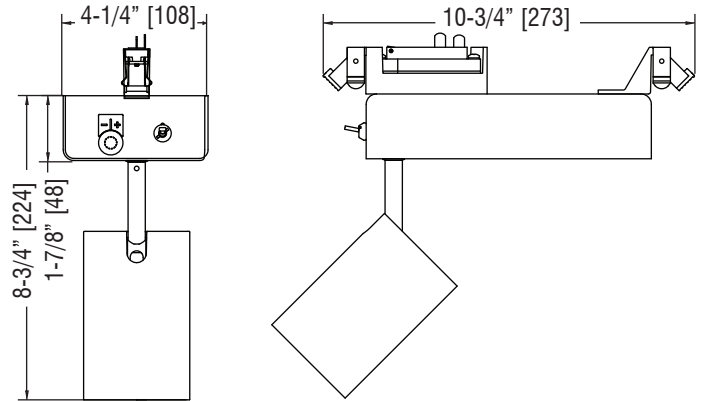
9TC* - 120/240/277v Recessed BusRun Fitter - ELV Dimmable Only - 5%



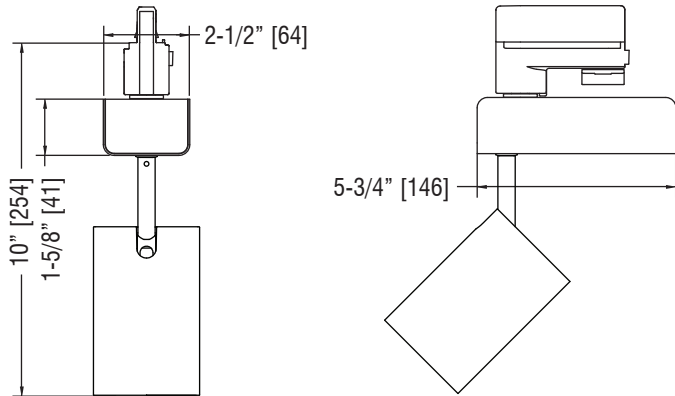
Universal Voltage Fitter, Available with an optional Switch and Rotation Lock or Potentiometer - Dimmable to 1%.

Switch not available for 277 V.

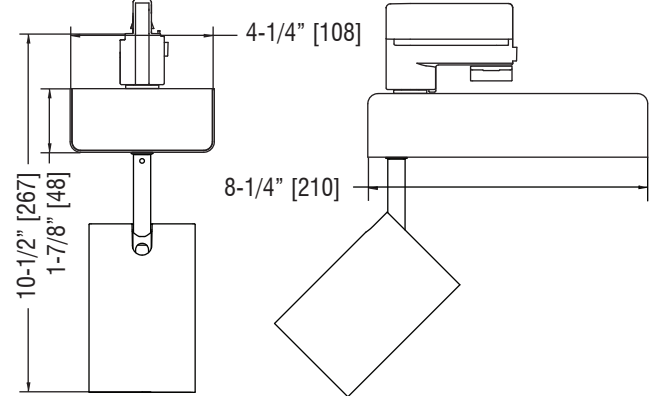
9H - Wireless Control Fitter for BusRun



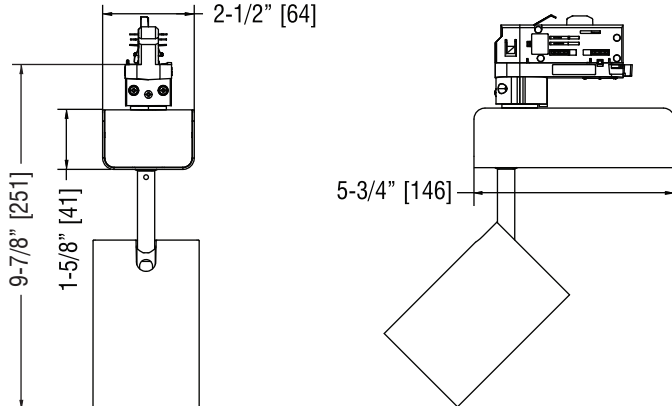
Stucchi - 2-Circuit ELV Dimmable Fitter



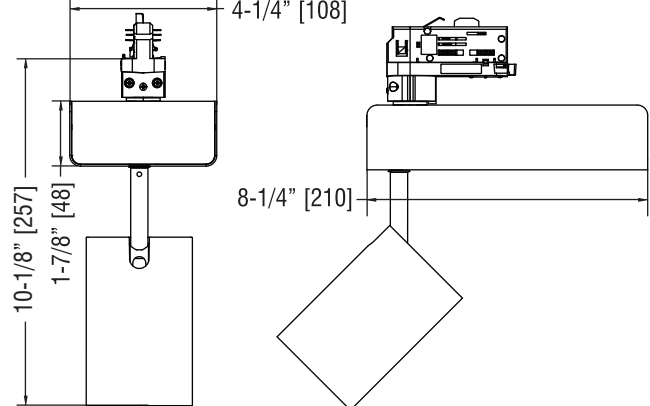
Stucchi - 2-Circuit 0-10V, DMX and Dali Dimmable Fitter



Stucchi - 3-Circuit ELV Dimmable Fitter

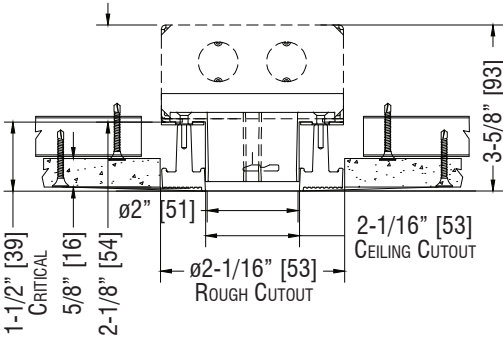


Stucchi - 3-Circuit 0-10V, DMX and Dali Dimmable Fitter



Fitter Guide

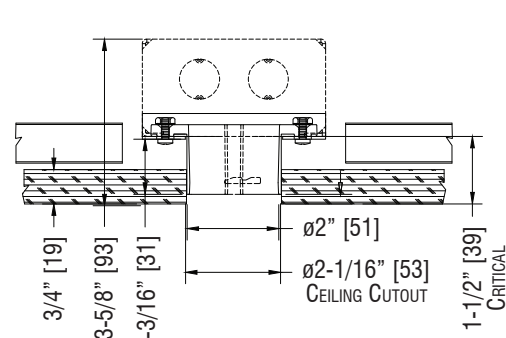
-7L - 2" Dia. Quick Connect Canopy - Gypsum*



-7 Remote Driver
(1) 4" sq x 2-1/8"
J-Box

* QC-7K-GYP-P/MB
Canopy Mount ordered
separately.

-7L - 2" Dia. Quick Connect Canopy - Wood**

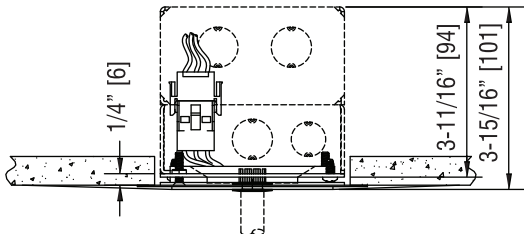


-7 Remote Driver
(1) 4" sq x 2-1/8"
J-Box

** QC-7K-WD-MB Canopy
Mount ordered separately.

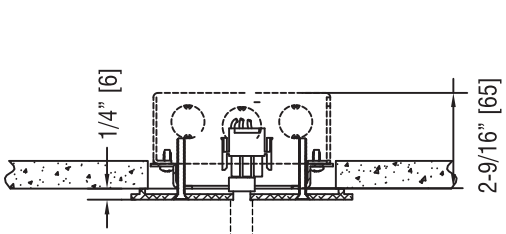
-5L - 3-1/2" Dia. Quick Connect Canopy

QC-5K-P/MB Canopy Mounted Ordered Separately

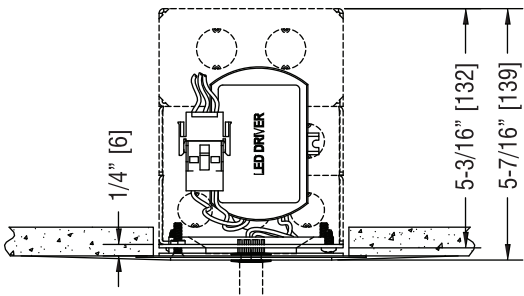


-5 Remote Driver
(1) 4" sq x 2-1/8"
J-Box
(1) 4" sq x 1-1/2"
Extension Box

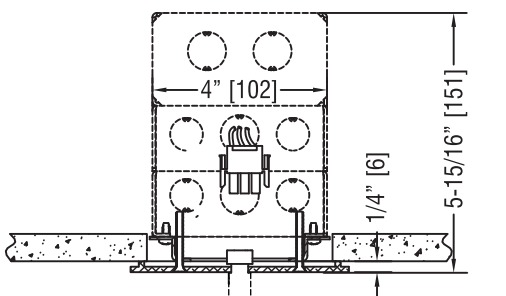
-3L - 5" Dia. x 1/4" H. Machined Canopy



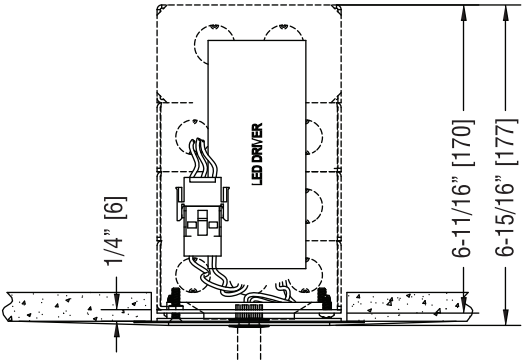
-3 Remote Driver
(1) 4" sq x 1-1/2"
Extension Box



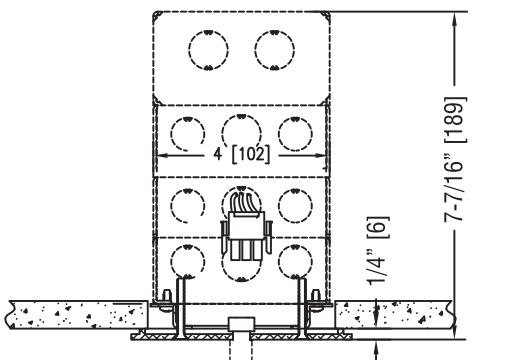
-5L ELV Driver
(1) 4" sq x 2-1/8"
J-Box
(2) 4" sq x 1-1/2"
Extension Box



-3L ELV Driver
(1) 4" sq x 2-1/8"
J-Box
(2) 4" sq x 1-1/2"
Extension Box



**-5L 0-10v, DALI
and DMX Driver**
(1) 4" sq x 2-1/8"
J-Box
(3) 4" sq x 1-1/2"
Extension Box



**-3L 0-10v, DALI
and DMX Driver**
(1) 4" sq x 2-1/8"
J-Box
(3) 4" sq x 1-1/2"
Extension Box

J-Boxes Supplied by Others

C30

Dim-to-Warm
Fixed Object

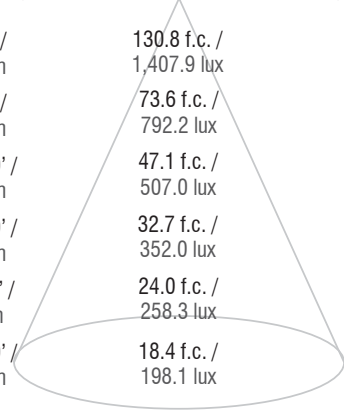
Project Name

Type

Photometrics

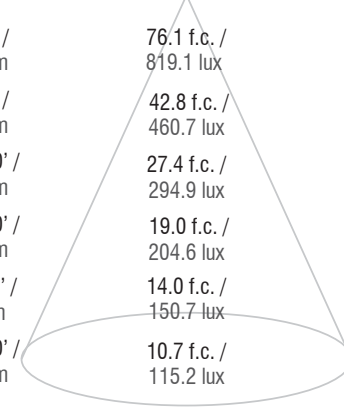
C30-L10 15° Optic (OL-RS2-ILONA-50-KIT)

Mounting Height in feet / meters	FC / Lux	Beam Diameter in feet / meters
6.0' / 1.8m	130.8 f.c. / 1,407.9 lux	1.6' / 0.5m
8.0' / 2.4m	73.6 f.c. / 792.2 lux	2.2' / 0.7m
10.0' / 3.0m	47.1 f.c. / 507.0 lux	2.7' / 0.8m
12.0' / 3.7m	32.7 f.c. / 352.0 lux	3.3' / 1.0m
14.0' / 4.3m	24.0 f.c. / 258.3 lux	3.8' / 1.2m
16.0' / 4.9m	18.4 f.c. / 198.1 lux	4.4' / 1.3m



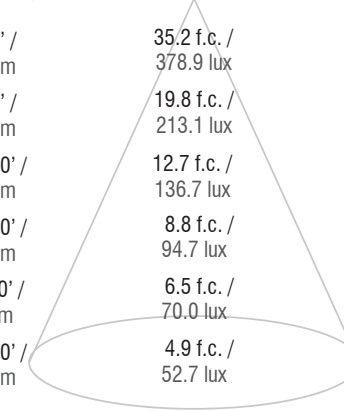
C30-L10 25° Optic (OL-M-ILONA-50-KIT)

Mounting Height in feet / meters	FC / Lux	Beam Diameter in feet / meters
6.0' / 1.8m	76.1 f.c. / 819.1 lux	2.3' / 0.7m
8.0' / 2.4m	42.8 f.c. / 460.7 lux	3.1' / 0.9m
10.0' / 3.0m	27.4 f.c. / 294.9 lux	3.8' / 1.2m
12.0' / 3.7m	19.0 f.c. / 204.6 lux	4.6' / 1.4m
14.0' / 4.3m	14.0 f.c. / 150.7 lux	5.4' / 1.6m
16.0' / 4.9m	10.7 f.c. / 115.2 lux	6.1' / 1.9m



C30-L10 35° Optic (OL-W-ILONA-50-KIT)

Mounting Height in feet / meters	FC / Lux	Beam Diameter in feet / meters
6.0' / 1.8m	35.2 f.c. / 378.9 lux	3.2' / 1.0m
8.0' / 2.4m	19.8 f.c. / 213.1 lux	4.3' / 1.3m
10.0' / 3.0m	12.7 f.c. / 136.7 lux	5.4' / 1.6m
12.0' / 3.7m	8.8 f.c. / 94.7 lux	6.5' / 2.0m
14.0' / 4.3m	6.5 f.c. / 70.0 lux	7.6' / 2.3m
16.0' / 4.9m	4.9 f.c. / 52.7 lux	8.6' / 2.6m

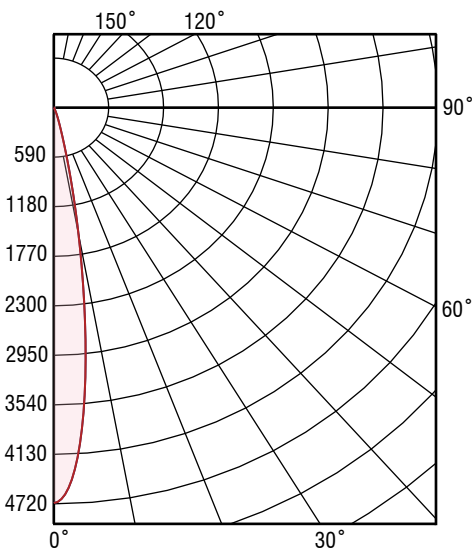


CBCP:	4,720 Cd
Efficacy:	31.5 lm/w
Delivered Lumens:	422 lm

CBCP:	2,741 Cd
Efficacy:	33.8 lm/w
Delivered Lumens:	453 lm

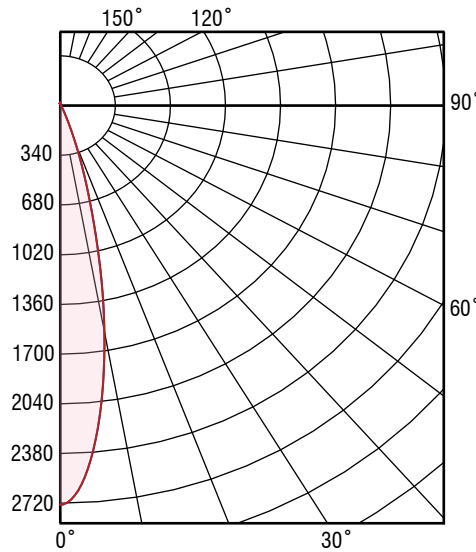
CBCP:	1,267 Cd
Efficacy:	28.9 lm/w
Delivered Lumens:	388 lm

C30-L10 15° Optic - Polar Diagram



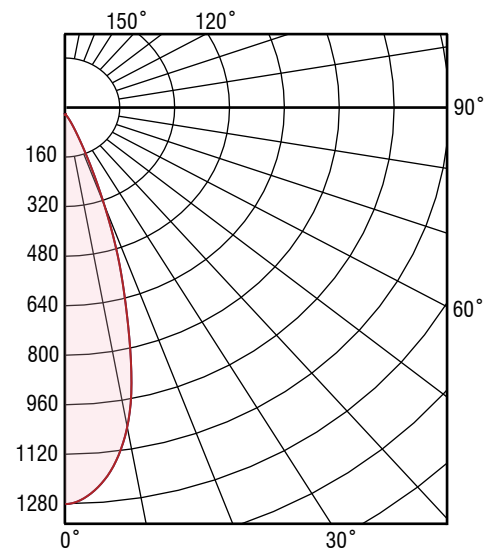
LEGEND
CANDELAS

C30-L10 25° Optic - Polar Diagram



LEGEND
CANDELAS

C30-L10 35° Optic - Polar Diagram



LEGEND
CANDELAS

C30

Dim-to-Warm
Fixed Object

Project Name

Type

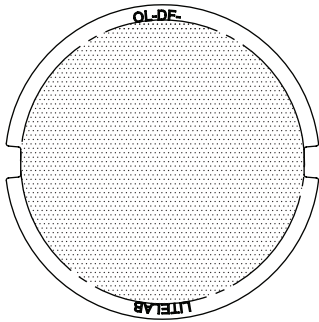
Accessories

FIXTURE SIZE CODE (G): Ø2.529" [64mm]

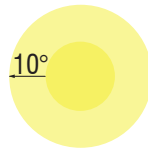
CUSTOM DISTRIBUTION FILMS AVAILABLE ON REQUEST.

OL-DF-G (DIFFUSION FILM)

DIFFUSION FILM: 0.25MM (0.01") FILM SOFTENS BEAM EDGES (FOR USE WITH MULTIPLE MEDIA)

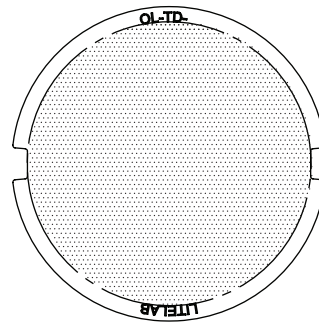


DISTRIBUTION DIAGRAM

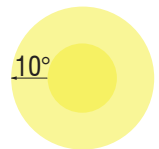


OL-TD-G (POLYCARBONATE DIFFUSION LENS)

DIFFUSION FILM: 3MM (0.1") TEXTURED LENS SOFTENS BEAM EDGES (FOR STANDALONE USE)

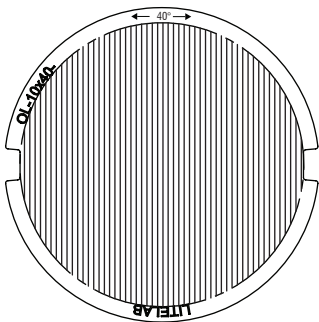


DISTRIBUTION DIAGRAM

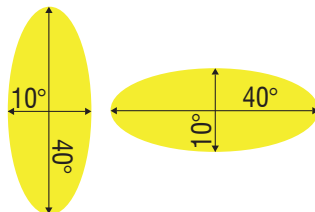


OL-10x40-G (LINEAR SPREAD LENS)

40° LINEAR SPREAD LENS: 3MM (0.1") ELLIPTICAL SPREAD FOR LONG / LINEAR OBJECTS

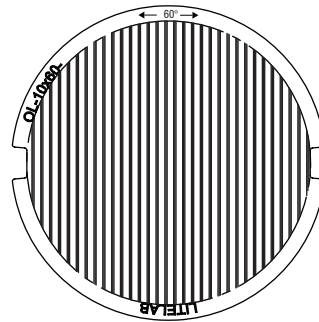


DISTRIBUTION DIAGRAM

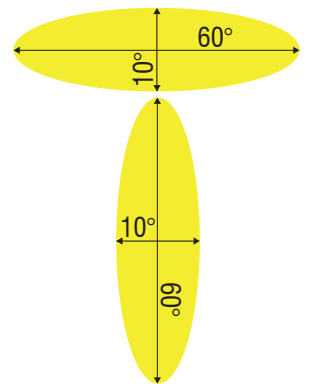


OL-10x60-G (LINEAR SPREAD LENS)

60° LINEAR SPREAD LENS: 3MM (0.1") ELLIPTICAL SPREAD FOR LONG / LINEAR OBJECTS

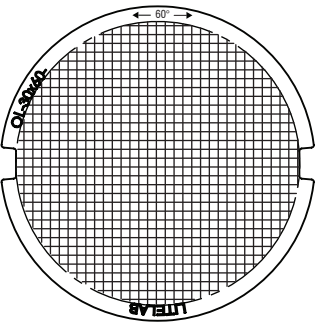


DISTRIBUTION DIAGRAM

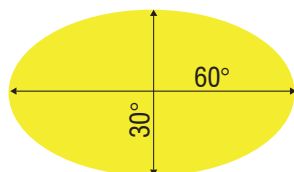


OL-30x60-G (UNIVERSAL SPREAD LENS - INCLUDED)

UNIVERSAL SPREAD LENS: 3MM (0.1") LENS SPREADS LIGHT UNIVERSALLY FOR WIDER DISTRIBUTION



DISTRIBUTION DIAGRAM



LVH/G (HEXCELL LOUVER)

HEXCELL LOUVER: 3MM (0.1") MATTE BACK FINISH, 45° GLARE CUTOFF FOR VISUAL COMFORT

