

C2Z

Static White
15° - 35° Zoom

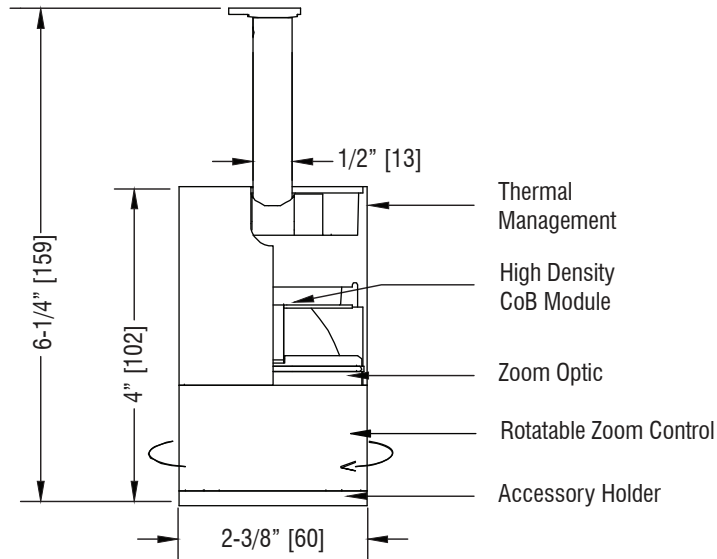
Project Name

Type



Input Requirements

1600/1450 Lumens 120VAC/0.2A/23W
240VAC/0.2A/23W
277VAC/0.1A/23W



Enter Catalog Number Sequentially from Left to Right

C2Z - - -

Model	Lumens/CRI	CCT	Adaptor	Dimming	Level	Options	Voltage	Finish	
C2Z	L16 1600/92	27 2700	9TC BusRun Clipless	E	ELV 1	1%	P* Potentiometer	A 120	P White
	L14 1450/98	30 3000	9TD BusRun Deep				R** Rotation Lock	D 240	MB Black
		35 3500	9TS BusRun Shallow				SP* Switch w/ Potentiometer	F* 240 (2-Circuit)	BR Brushed
		40 4000					SR** Switch w/ Rotation Lock	C 277	CP Custom
			9HC BusRun Clipless w/ Driverbox	E	ELV 0	10%			
			9HD BusRun Deep w/ Driverbox	W	Wireless	C Casambi			
			9HS BusRun Shallow w/ Driverbox			A Avi-On Z Zigbee T Athena RF			
			ST2 2-Circuit Stucchi	E	ELV 0	10%			
			ST3 3-Circuit Stucchi	Z	0-10 1	1%			
			3L 5" Canopy	M	DMX D	Dark			
			5L 3.5" QC Canopy	D	DALI				
			7L 2" QC Canopy (Remote Driver Only)						

* Potentiometers are available on ELV dimmable or non-dimming circuits only.
** Rotation Lock and type "F" voltage are exclusive to 9T fitters. Rotation Lock is not available with Potentiometer.



ENTER RAL OR OTHER FINISH CODE

Flush Fit BusRun Adaptor

Litelab's flush fit BusRun adaptor recesses entirely inside BusRun to provide a clean aesthetic. It is available with a Switch and Rotation Lock or On-Board Potentiometer for individual fixture dimming. BusRun fitters are available dimmable to 1% and can be dimmed proportionally using an ELV dimming system.

Dimming Note

This fixture is provided with LED Drivers suitable for the dimming protocol specified. Dimming performance may vary based on dimmer model or system being used. If exact dimming performance is required, Litelab recommends testing the Litelab fixture with the specified dimmer.

Accessories: See Page 5

- OL-DF-a Beam Softening Film
- OL-TD-a Beam Softening Lens
- OL-10x40-a inear Spread Lens
- OL-10x60-a Linear Spread Lens
- OL-30x60-a Universal Spread Lens
- LVH/a Hexell Louver
- CHB/a-Z Crosshair Baffle

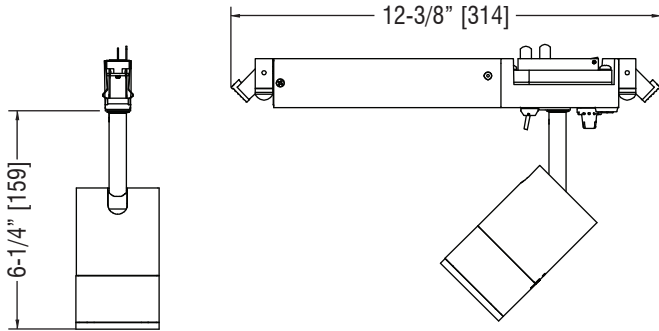


251 Elm Street, Buffalo, NY 14203 USA
800-238-4120 | www.litelab.com



Fitter Guide

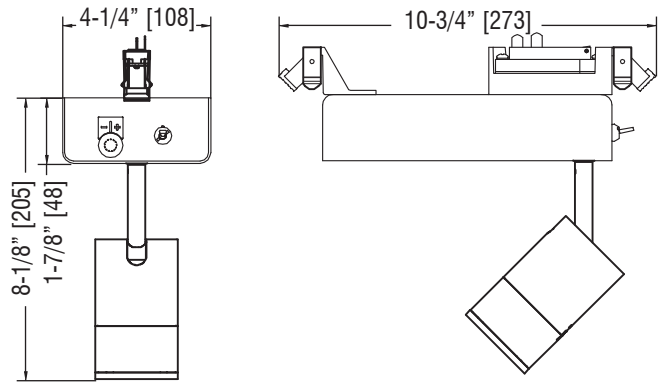
9TC* - 120/240/277v Recessed BusRun Fitter - ELV Dimmable Only - 1%



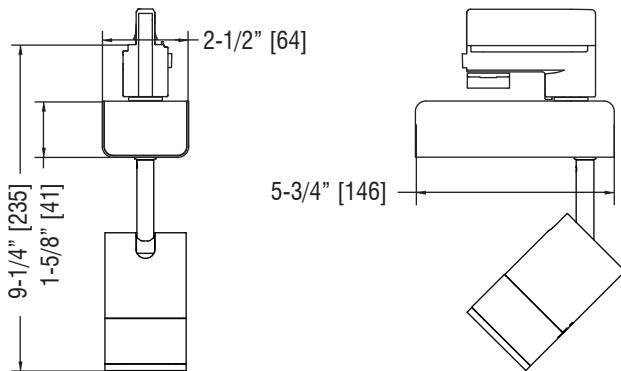
Universal Voltage Fitter, Available with an optional Switch and Rotation Lock or Potentiometer - Dimmable to 1%.

Switch not available for 277 V.

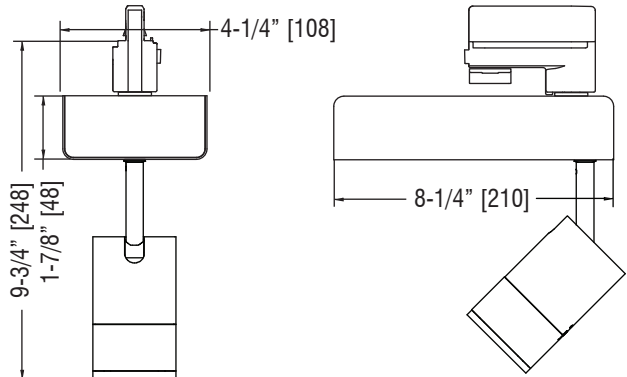
9H - Wireless Control Fitter for BusRun



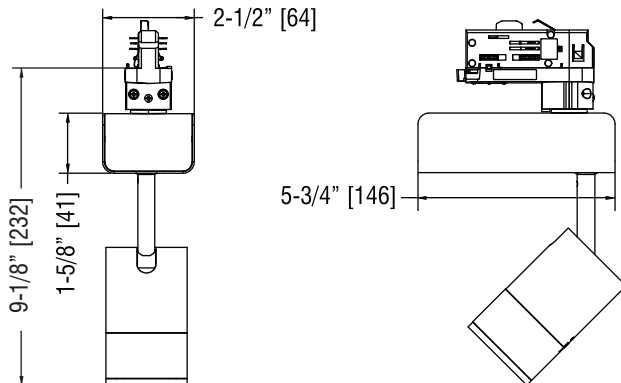
Stucchi - 2-Circuit ELV Dimmable Fitter



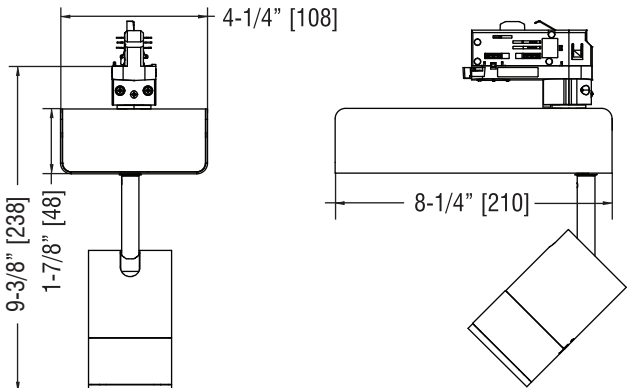
Stucchi - 2-Circuit 0-10V, DMX and Dali Dimmable Fitter



Stucchi - 3-Circuit ELV Dimmable Fitter

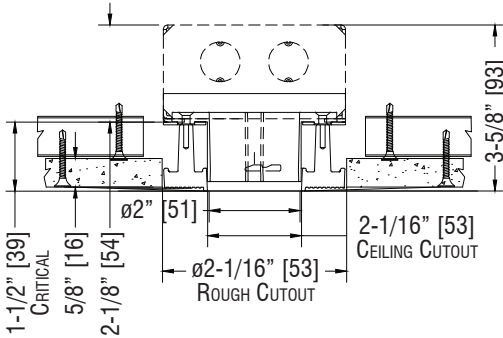


Stucchi - 3-Circuit 0-10V, DMX and Dali Dimmable Fitter



Fitter Guide

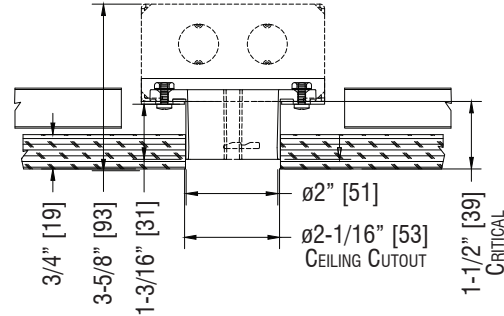
-7L - 2" Dia. Quick Connect Canopy - Gypsum*



-7 Remote Driver
(1) 4" sq x 2-1/8"
J-Box

* QC-7K-GYP-P/MB
Canopy Mount ordered
separately.

-7L - 2" Dia. Quick Connect Canopy - Wood**

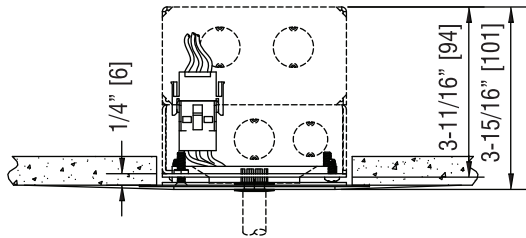


-7 Remote Driver
(1) 4" sq x 2-1/8"
J-Box

** QC-7K-WD-MB Canopy
Mount ordered separately.

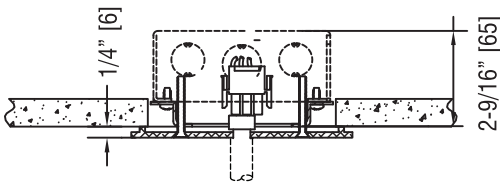
-5L - 3-1/2" Dia. Quick Connect Canopy

QC-5K-P/MB Canopy Mounted Ordered Separately

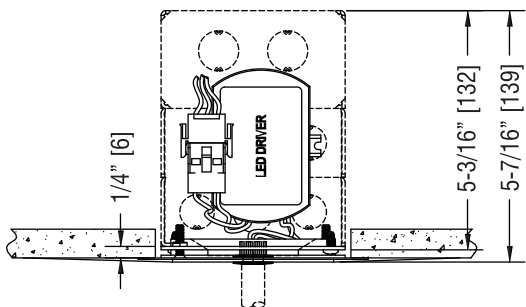


-5 Remote Driver
(1) 4" sq x 2-1/8"
J-Box
(1) 4" sq x 1-1/2"
Extension Box

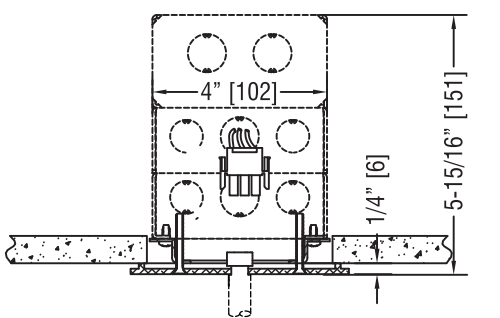
-3L - 5" Dia. x 1/4" H. Machined Canopy



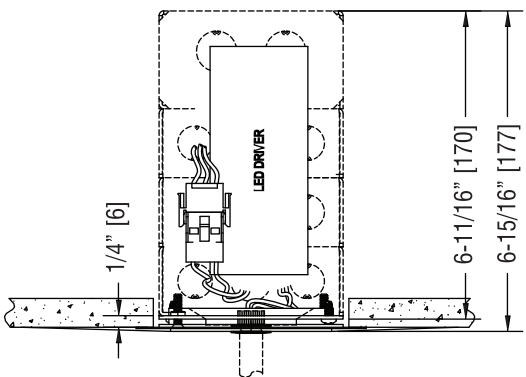
-3 Remote Driver
(1) 4" sq x 1-1/2"
Extension Box



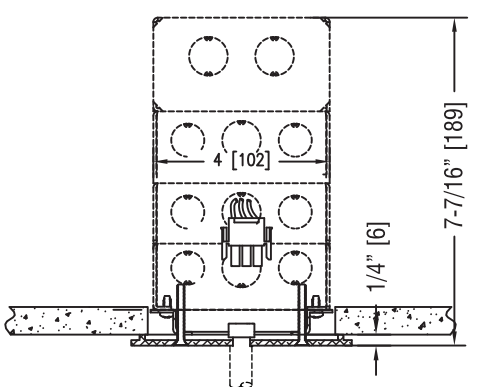
-5L ELV Driver
(1) 4" sq x 2-1/8"
J-Box
(2) 4" sq x 1-1/2"
Extension Box



-3L ELV Driver
(1) 4" sq x 2-1/8"
J-Box
(2) 4" sq x 1-1/2"
Extension Box



**-5L 0-10v, DALI
and DMX Driver**
(1) 4" sq x 2-1/8"
J-Box
(3) 4" sq x 1-1/2"
Extension Box

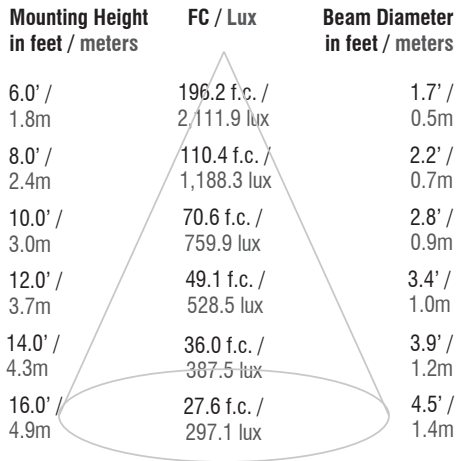


**-3L 0-10v, DALI
and DMX Driver**
(1) 4" sq x 2-1/8"
J-Box
(3) 4" sq x 1-1/2"
Extension Box

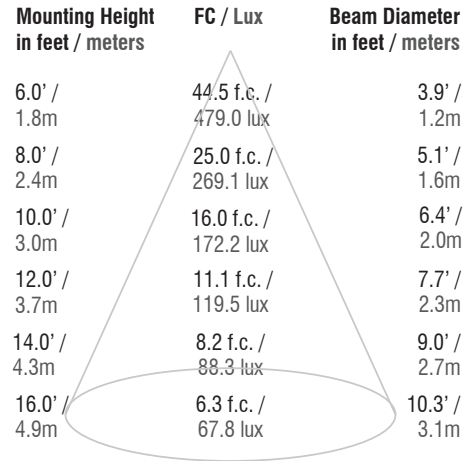
J-Boxes Supplied by Others

Photometrics

C2Z-L16 15° Setting



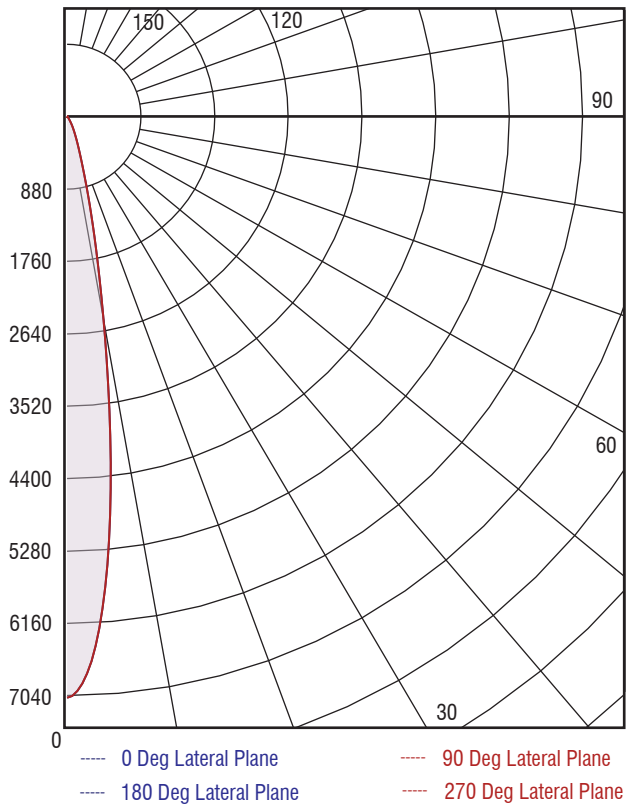
C2Z-L16 35° Setting



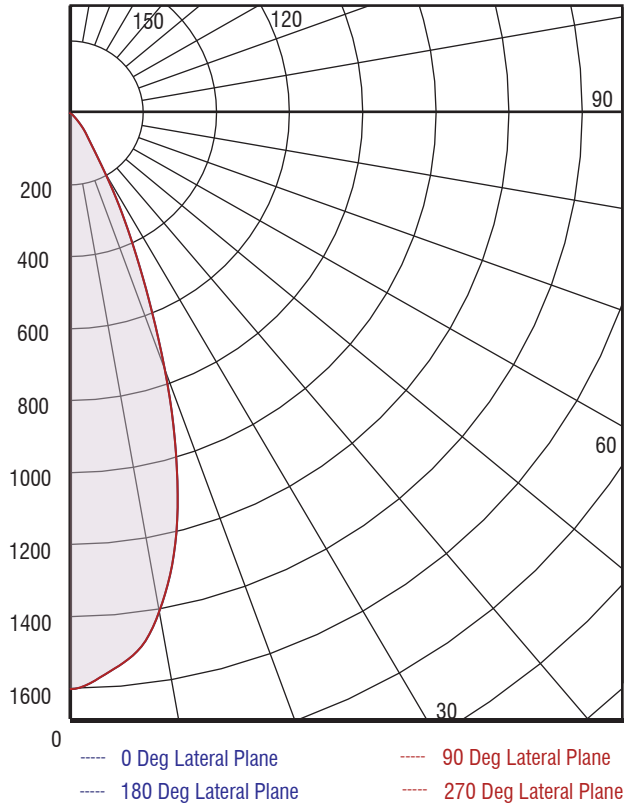
CBCP:	7,063 Cd
Efficacy:	42.5 lm/w
Delivered Lumens:	820.9 lm

CBCP:	1,602 Cd
Efficacy:	37.8 lm/w
Delivered Lumens:	727.5 lm

C2Z-L16 15° Setting - Polar Plot of Candela



C2Z-L16 35° Setting - Polar Plot of Candela



Accessories

FIXTURE SIZE CODE (A): Ø1.95" [50mm]

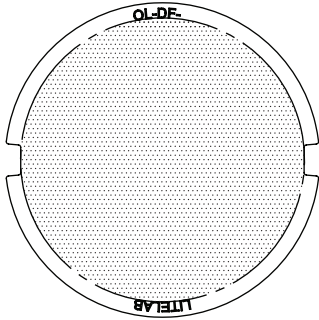
CUSTOM DISTRIBUTION FILMS AVAILABLE ON REQUEST.

OL-DF-A (DIFFUSION FILM)

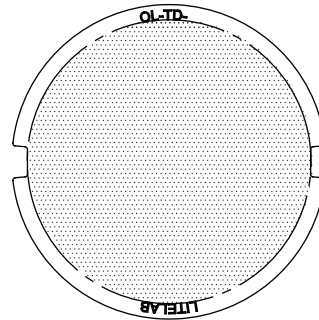
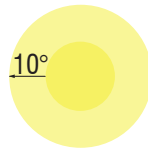
DIFFUSION FILM: 0.25MM (0.01") FILM SOFTENS BEAM EDGES (FOR USE WITH MULTIPLE MEDIA)

OL-TD-A (POLYCARBONATE DIFFUSION LENS)

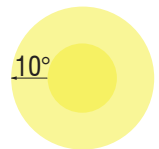
DIFFUSION FILM: 3MM (0.1") TEXTURED LENS SOFTENS BEAM EDGES (FOR STANDALONE USE)



DISTRIBUTION DIAGRAM



DISTRIBUTION DIAGRAM

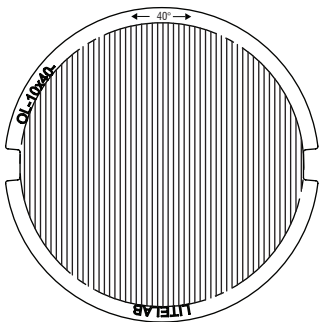


OL-10x40-A (LINEAR SPREAD LENS)

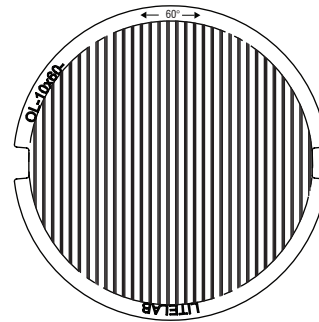
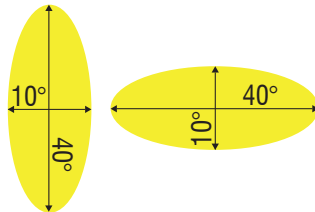
40° LINEAR SPREAD LENS: 3MM (0.1") ELLIPTICAL SPREAD FOR LONG / LINEAR OBJECTS

OL-10x60-A (LINEAR SPREAD LENS)

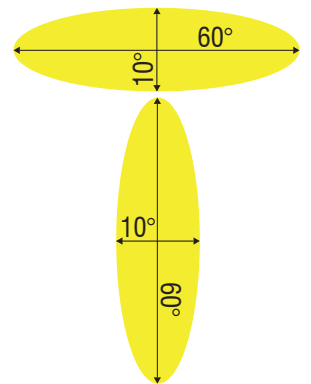
60° LINEAR SPREAD LENS: 3MM (0.1") ELLIPTICAL SPREAD FOR LONG / LINEAR OBJECTS



DISTRIBUTION DIAGRAM



DISTRIBUTION DIAGRAM

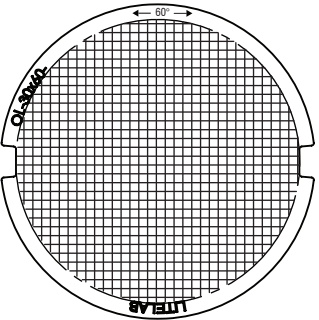


OL-30x60-A (UNIVERSAL SPREAD LENS - INCLUDED)

UNIVERSAL SPREAD LENS: 3MM (0.1") LENS SPREADS LIGHT UNIVERSALLY FOR WIDER DISTRIBUTION

LVH/A (HEXCELL LOUVER)

HEXCELL LOUVER: 3MM (0.1") MATTE BACK FINISH, 45° GLARE CUTOFF FOR VISUAL COMFORT



DISTRIBUTION DIAGRAM

