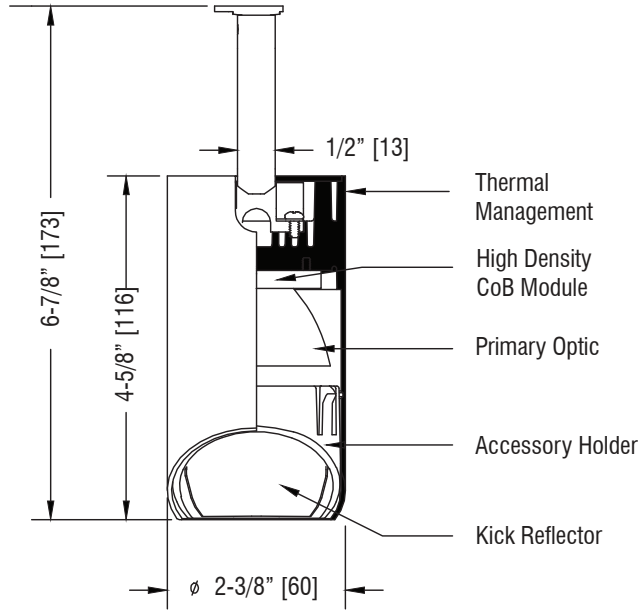


# C2W Static White Wallwasher

Project Name

Type



### Input Requirements

1600/1450 Lumens    120VAC/0.2A/23W  
 240VAC/0.2A/23W  
 277VAC/0.1A/23W

Enter Catalog Number Sequentially from Left to Right

C2W -  -  -

Model	Lumens/CRI	CCT	Adaptor	Dimming	Level	Options	Voltage	Finish	
C2W	L16	1600/92	27	2700	9TC BusRun Clipless	E ELV 1 1%	P* Potentiometer	A 120	P White
	L14	1450/98	30	3000	9TD BusRun Deep	W Wire-less	R** Rotation Lock	D 240	MB Black
		35	3500	9TS BusRun Shallow	SP* Switch w/ Potentiometer		F* 240	BR Brushed	
		40	4000	9HC BusRun Clipless w/ Driverbox	SR** Switch w/ Rotation Lock		C 277	CP Custom	
9HD BusRun Deep w/ Driverbox	C Casambi								
9HS BusRun Shallow w/ Driverbox	Z Zigbee								
	T Athena RF								
ST2	2-Circuit Stucchi	E ELV 0 10%							
ST3	3-Circuit Stucchi	Z 0-10 1 1%							
3L	5" Canopy	M DMX D Dark							
5L	3.5" QC Canopy	D DALI							
7L	2" QC Canopy (Remote Driver Only)								

### Flush Fit BusRun Adaptor

Litelab's flush fit BusRun adaptor recesses entirely inside BusRun to provide a clean aesthetic. It is available with a Switch and Rotation Lock or On-Board Potentiometer for individual fixture dimming. BusRun fitters are available dimmable to 1% and can be dimmed proportionally using an ELV dimming system.

### Dimming Note

This fixture is provided with LED Drivers suitable for the dimming protocol specified. Dimming performance may vary based on dimmer model or system being used. If exact dimming performance is required, Litelab recommends testing the Litelab fixture with the specified dimmer.

### Accessories: See Page 5

- OL-DF-a Beam Softening Film
- OL-TD-a Beam Softening Lens
- OL-30x60-a Universal Spread Lens (Included)

ENTER RAL OR OTHER FINISH CODE

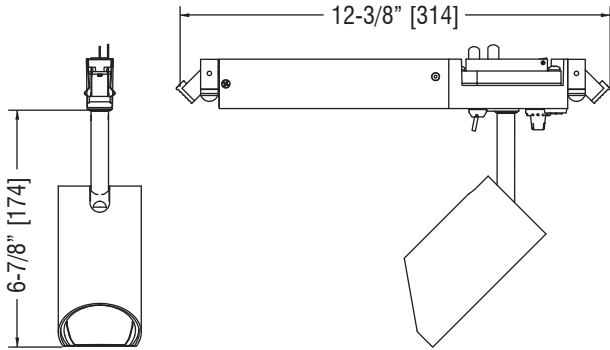


251 Elm Street, Buffalo, NY 14203 USA  
 800-238-4120 | www.litelab.com



Fitter Guide

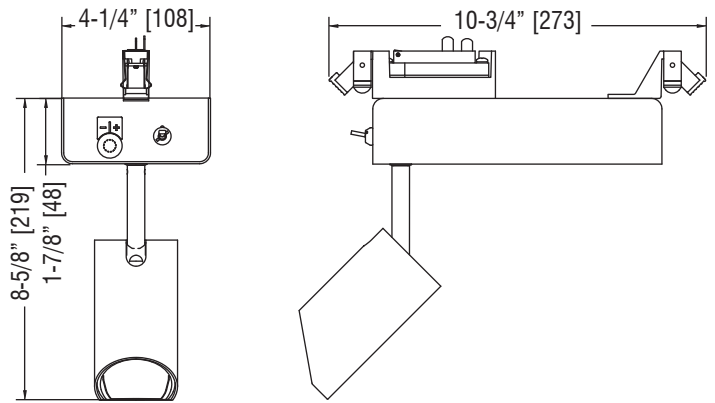
**9TC\* - 120/240/277v Recessed BusRun Fitter - ELV Dimmable Only - 1%**



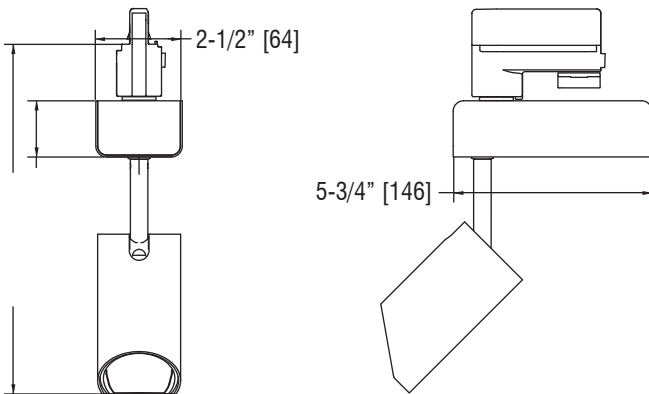
Universal Voltage Fitter, Available with an optional Switch and Rotation Lock or Potentiometer - Dimmable to 1%.

Switch not available for 277 V.

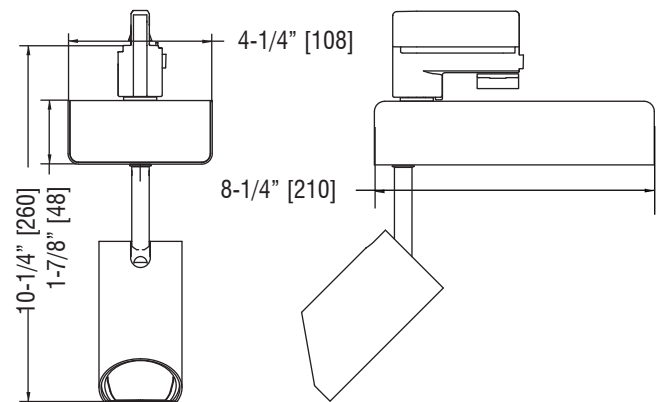
**9H - Wireless Control Fitter for BusRun**



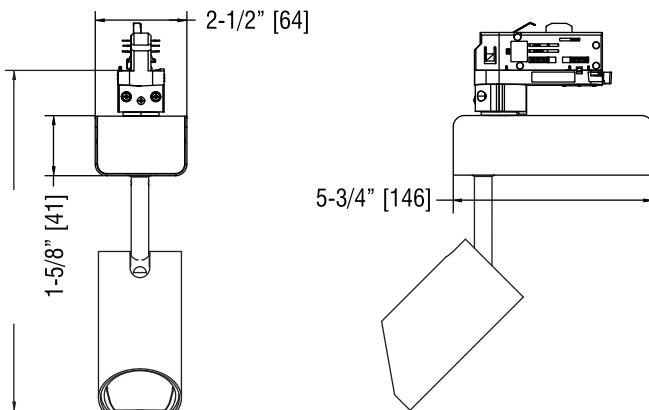
**Stucchi - 2-Circuit ELV Dimmable Fitter**



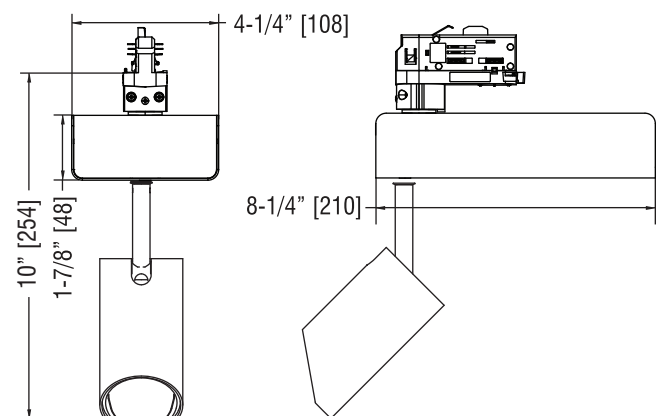
**Stucchi - 2-Circuit 0-10V, DMX and Dali Dimmable Fitter**



**Stucchi - 2-Circuit ELV Dimmable Fitter**

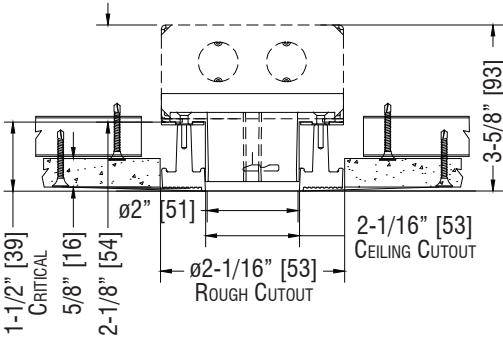


**Stucchi - 2-Circuit 0-10V, DMX and Dali Dimmable Fitter**



Fitter Guide

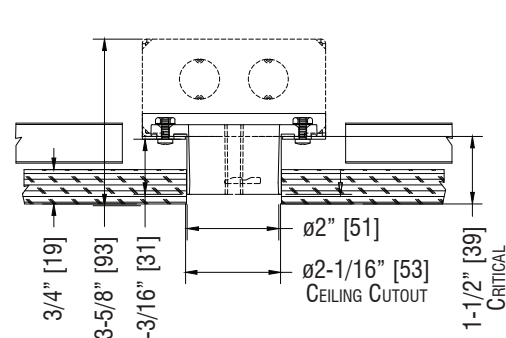
**-7L - 2" Dia. Quick Connect Canopy - Gypsum\***



**-7 Remote Driver**  
(1) 4" sq x 2-1/8"  
J-Box

\* QC-7K-GYP-P/MB  
Canopy Mount ordered  
separately.

**-7L - 2" Dia. Quick Connect Canopy - Wood\*\***

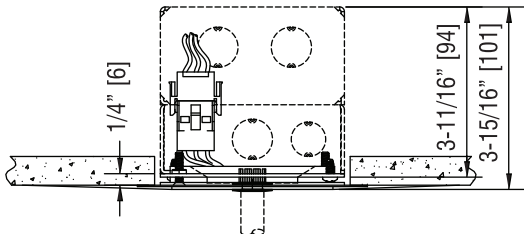


**-7 Remote Driver**  
(1) 4" sq x 2-1/8"  
J-Box

\*\* QC-7K-WD-MB Canopy  
Mount ordered separately.

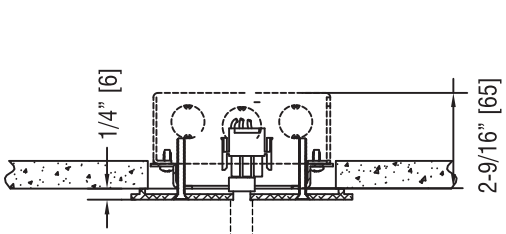
**-5L - 3-1/2" Dia. Quick Connect Canopy**

QC-5K-P/MB Canopy Mounted Ordered Separately

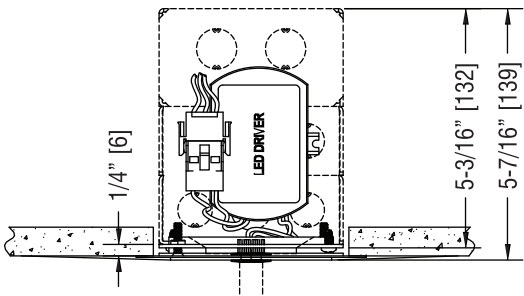


**-5 Remote Driver**  
(1) 4" sq x 2-1/8"  
J-Box  
(1) 4" sq x 1-1/2"  
Extension Box

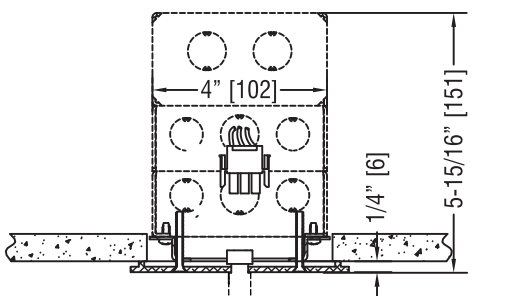
**-3L - 5" Dia. x 1/4" H. Machined Canopy**



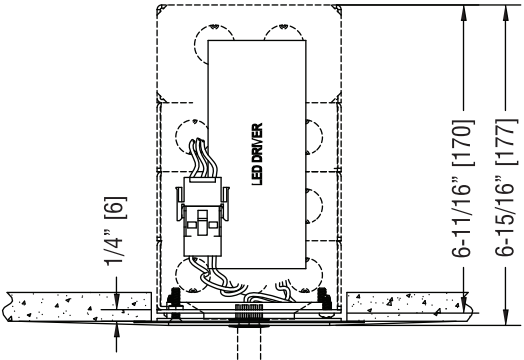
**-3 Remote Driver**  
(1) 4" sq x 1-1/2"  
Extension Box



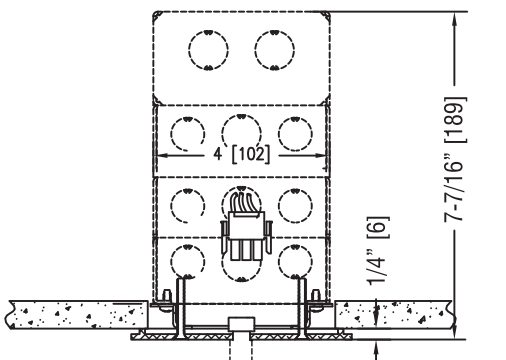
**-5L ELV Driver**  
(1) 4" sq x 2-1/8"  
J-Box  
(2) 4" sq x 1-1/2"  
Extension Box



**-3L ELV Driver**  
(1) 4" sq x 2-1/8"  
J-Box  
(2) 4" sq x 1-1/2"  
Extension Box



**-5L 0-10v, DALI  
and DMX Driver**  
(1) 4" sq x 2-1/8"  
J-Box  
(3) 4" sq x 1-1/2"  
Extension Box



**-3L 0-10v, DALI  
and DMX Driver**  
(1) 4" sq x 2-1/8"  
J-Box  
(3) 4" sq x 1-1/2"  
Extension Box

J-Boxes Supplied by Others



251 Elm Street, Buffalo, NY 14203 USA  
800-238-4120 | www.litelab.com

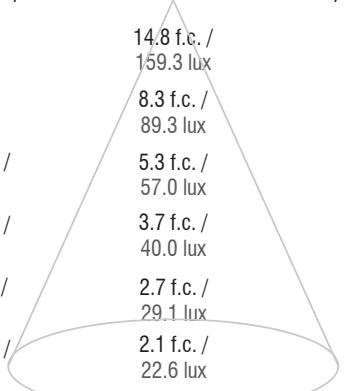
\* Junction Box Volume Note: Box fill must be in compliance with National Electric Code Article 314. Internal Equipment Supplied by Litelab Equals 25 Cubic Inches.



## Photometrics

### C2W-L16 Wallwash

Mounting Height in feet / meters	FC / Lux	Beam Diameter in feet / meters
6.0' / 1.8m	14.8 f.c. / 159.3 lux	5.5' / 1.7m
8.0' / 2.4m	8.3 f.c. / 89.3 lux	7.3' / 2.2m
10.0' / 3.0m	5.3 f.c. / 57.0 lux	9.1' / 2.8m
12.0' / 3.7m	3.7 f.c. / 40.0 lux	11.0' / 3.4m
14.0' / 4.3m	2.7 f.c. / 29.1 lux	12.8' / 3.9m
16.0' / 4.9m	2.1 f.c. / 22.6 lux	14.6' / 4.5m

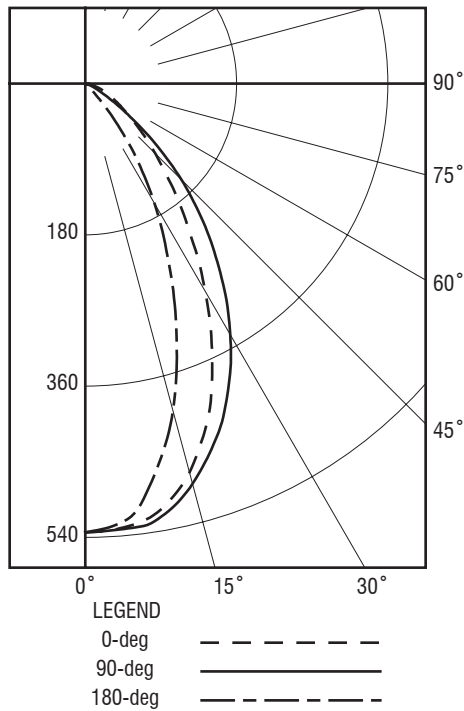


CBCP:	See Candela Distribution		
Efficacy:	47.9 lm/w		
Delivered Lumens:	623 lm		
Plane:	0°	90°	180°
Spacing Criteria:	0.93	1.03	0.72

### CANDELA DISTRIBUTION

	0.0	45.0	90.0	135.0	180.0	FLUX
0	534	534	534	534	534	
5	530	532	532	527	523	50
15	479	500	493	434	403	130
25	357	408	402	292	235	160
35	217	280	283	160	101	137
45	118	162	162	31	9	82
55	59	79	55	3	0	38
65	29	32	13	1	0	16
75	12	11	3	0	0	6
85	5	4	1	0	0	2
90	3	2	0	0	0	0
95	2	2	0	0	0	0
105	1	1	0	0	0	0
115	0	0	0	0	0	0
125	0	0	0	0	0	0
135	0	0	0	0	0	0
145	0	0	0	0	0	0
155	0	0	0	0	0	0
165	0	0	0	0	0	0
175	0	0	0	0	0	0
180	0	0	0	0	0	0

### C2W-L16 Wallwash- Polar Diagram



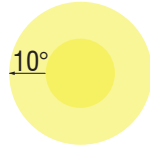
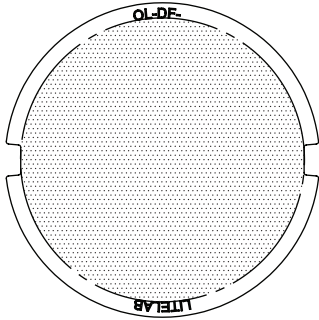
## Accessories

CUSTOM DISTRIBUTION FILMS AVAILABLE ON REQUEST.

SIZE CODE A: 1.95" [50MM]

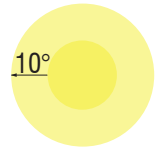
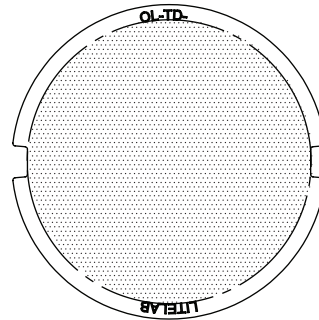
### OL-DF-G (DIFFUSION FILM)

*DIFFUSION FILM: 0.25MM (0.01") FILM SOFTENS BEAM EDGES (FOR USE WITH MULTIPLE MEDIA)*



### OL-TD-G (POLYCARBONATE DIFFUSION LENS)

*DIFFUSION FILM: 3MM (0.1") TEXTURED LENS SOFTENS BEAM EDGES (FOR STANDALONE USE)*



### OL-30x60-G (UNIVERSAL SPREAD LENS - INCLUDED)

*UNIVERSAL SPREAD LENS: 3MM (0.1") LENS SPREADS LIGHT UNIVERSALLY FOR WIDER DISTRIBUTION*

