

BUS-20S

Surface-Mounted



Project Name

Type

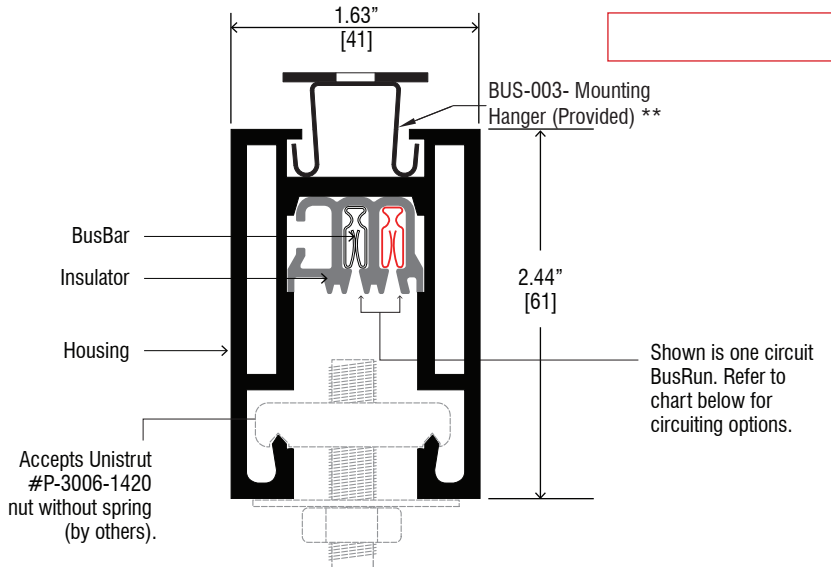
<input type="text"/>	<input type="text" value="-20S"/>	<input type="text"/>	<input type="text" value="XX"/>	<input type="text"/>	<input type="text"/>	<input type="text"/>	<input type="text"/>
----------------------	-----------------------------------	----------------------	---------------------------------	----------------------	----------------------	----------------------	----------------------

Feed Code	Profile / Mounting	Vinyl / Voltage	Vinyl / Voltage	Amperage	Total Length of Straight Run (in.)*	Finish	Whip (ft.)
BUS	<input type="text" value="CEC"/>	1A	N/A	16A	<input type="text" value="1A"/>	White	P
CCF	<input type="text" value="EEC"/>	2A		20A	<input type="text" value="1.5A"/>	Matte Black	MB
CEF	<input type="text" value="SEC"/>	6A		30A	<input type="text" value="2A"/>	Brushed	NT
EEB	<input type="text" value="TEC"/>	3D		60A	<input type="text" value="3A"/>	Unfinished	UF
EEF		2D			<input type="text" value="4A"/>	Custom	CP
SEF		6D			<input type="text" value="5A"/>		
TCB		3C			<input type="text" value="6A"/>		
TCF		4B			<input type="text" value="8A"/>		
TEB		4K			<input type="text" value="12A"/>		
TEF							

Finish Code

Circuiting Chart

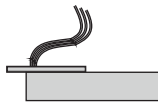
<p>1A 1 circ. (120V) 1-hot, 1-neutral</p>	<p>2A 2 circ. (120V) 2-hot, 1-neutral</p>	<p>3D 1 circ. (230V) 1-hot, 1-neutral</p>
<p>2D 2 circ. (240V) 2-hot, 1-neutral</p>	<p>3C 1 circ. (277V) 1-hot, 1-neutral</p>	<p>4B (Consult Factory) 1 circ. (Low Voltage) 1-hot, 1-neutral</p>
<p>4K (Consult Factory) 1 circ. (Low Voltage) International 1-hot, 1-neutral</p>	<p>6A 1 circ. (120V) 2-hot, 1-neutral tied hots</p>	<p>6D 1 circ. (230V) 2-hot, 1-neutral tied hots</p>



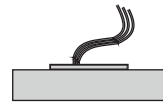
Shown is one circuit BusRun. Refer to chart below for circuiting options.

Feed Options: Standard BusRun feed capacity is 20 Amps (120v) or 16 Amps (230 Volt); 30 and 60 Amp feeds are available

CEF-20S
CEC (Current Limiter)*
Canopy End Feed
(6-3/4" Round Canopy)



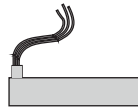
CCF-20S
Canopy Center Feed
(6-3/4" Round Canopy)



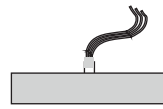
SEF-20S
SEC-20S (Current Limiter)*
Side End Feed
1/2" NPSM or 20mm Conduit



TEF-20S
TEC-20S ((Current Limiter)*
Top End Feed
1/2" NPSM or 20mm Conduit



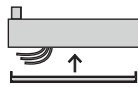
TCF-20S
Top Center Feed
1/2" NPSM or 20mm Conduit



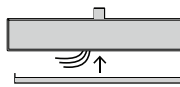
EEF-20S
EEC-20S (Current Limiter)*
End End Feed
1/2" NPSM or 20mm Conduit



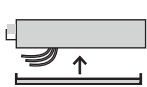
TEB-20S
Top End Splice-Box
30 Amp Max



TCB-20S
Top Center Splice Box
30 Amp Max



EEB-20S
End End Splice-Box
30 Amp Max



* For L, T and X Configurations, visit Pages 3, 4 & 5.

** BUS-003 consists of (3) mounting clips.
Order Code for Mounting Clips is B-HS3, which comprises (4) packs of BUS-003, or (12) Clips.

*CL: Current Limiter Values (120v Only)			
1A	120VA	5A	600VA
1.5A	180VA	6A	720VA
2A	240VA	8A	960VA
3A	360VA	12A	1440VA
4A	480VA		



251 Elm Street, Buffalo, NY 14203 USA
800-238-4120 | www.litelab.com



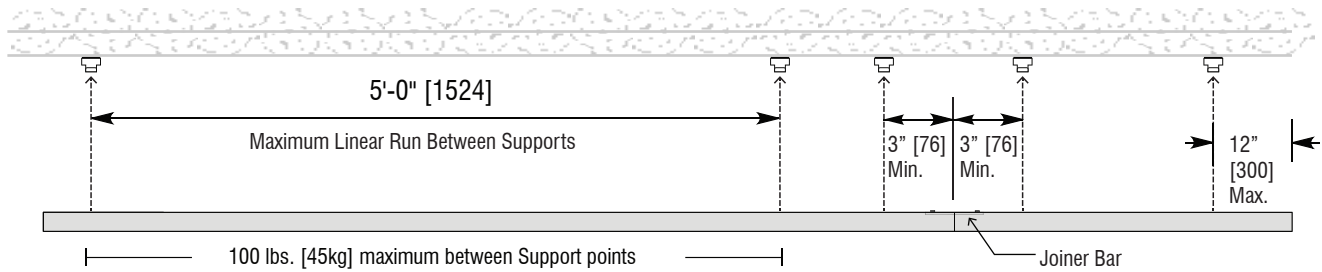
BUS-20S

Surface-Mounted

Project Name

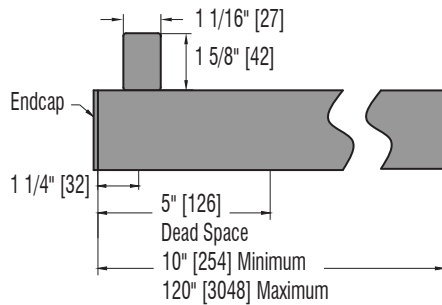
Type

Mounting Diagram

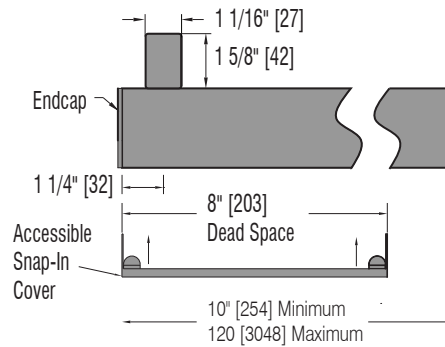


Dimension Chart

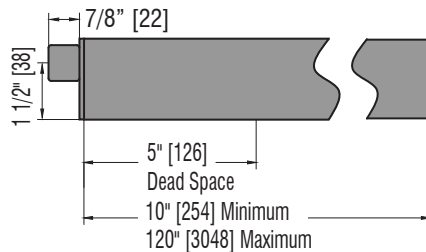
Top End Feed



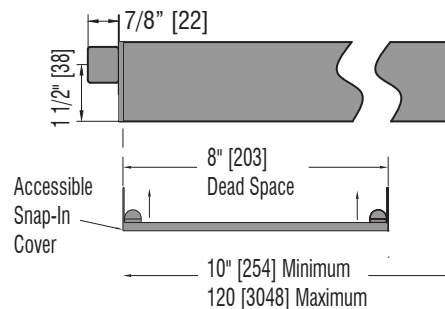
Top End Splice-Box Feed



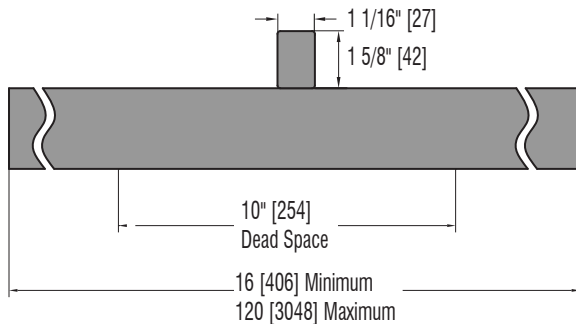
End End Feed



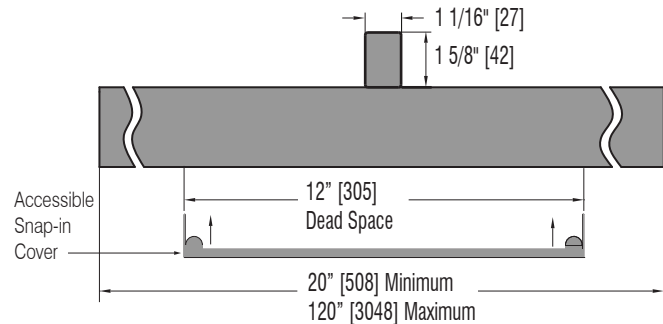
End End Splice-Box Feed



Top Center Feed



Top Center Splice-Box Feed



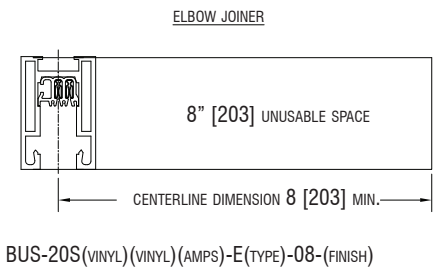
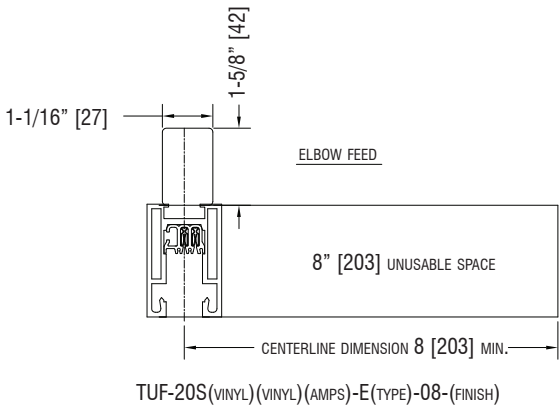
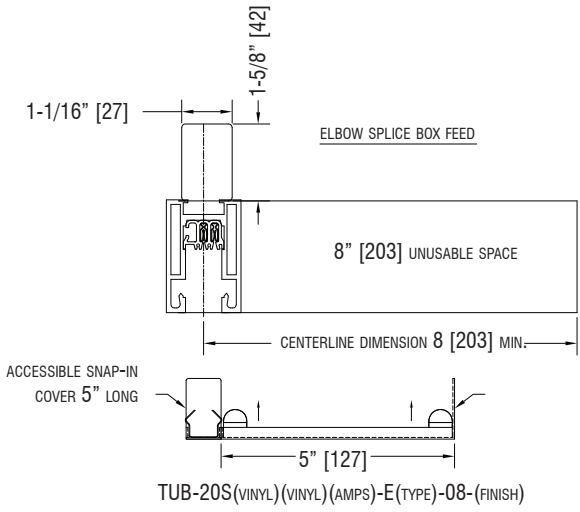
BUS-20S

X, T, L Configurations

Project Name

Type

L-Dimensions (Typical):



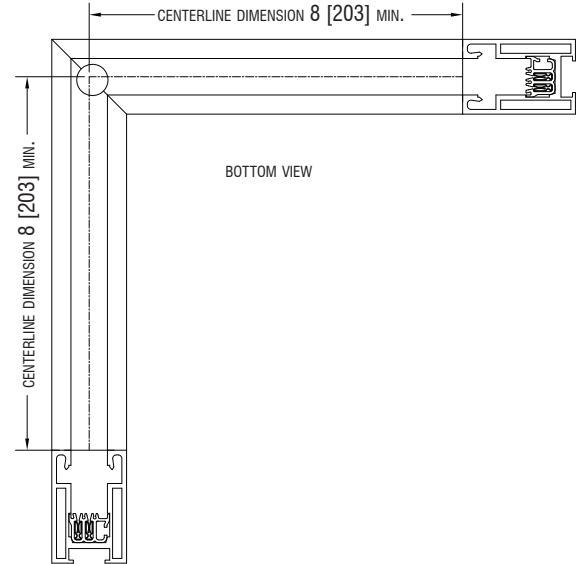
MAXIMUM UNIT LENGTH IS 10' [3048] UNINTERRUPTED SPAN. SPLICE KITS TO ADJACENT SECTIONS OCCUPY 4" [102] FOR 16, 20 AND 30 AMP CAPACITY AND 6" FOR 60 AMP CAPACITY. WHEN CALCULATING PLUG-IN SPACE:

$$(TOTAL LENGTH OF SECTION) - (FEED) - (SPLICE KIT/2) = TOTAL AVAILABLE PLUG-IN SPACE$$

FOR FITTER LENGTHS, PLEASE SEE FIXTURE CUTSHEETS.

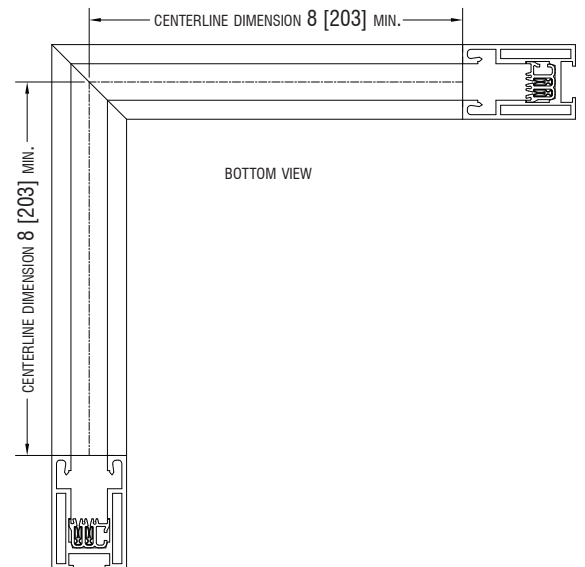
REFLECTED CEILING PLAN VIEW:

ELBOW SPLICE BOX FEED
ELBOW FEED



REFLECTED CEILING PLAN VIEW:

JOINER



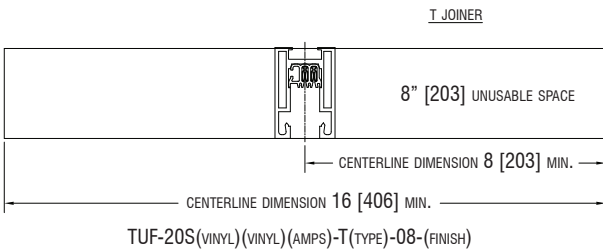
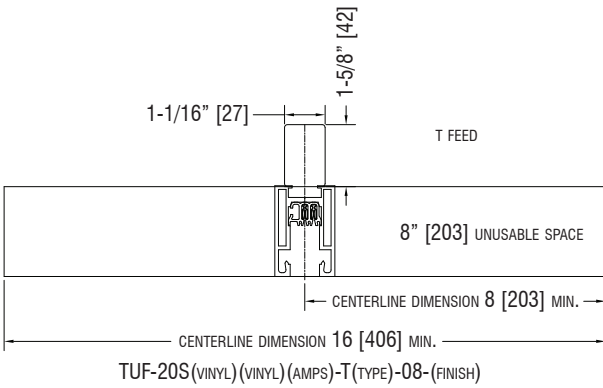
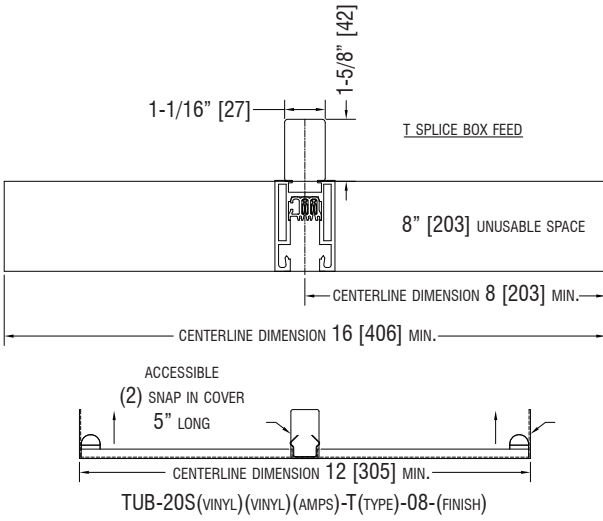
BUS-20S

X, T, L Configurations

Project Name

Type

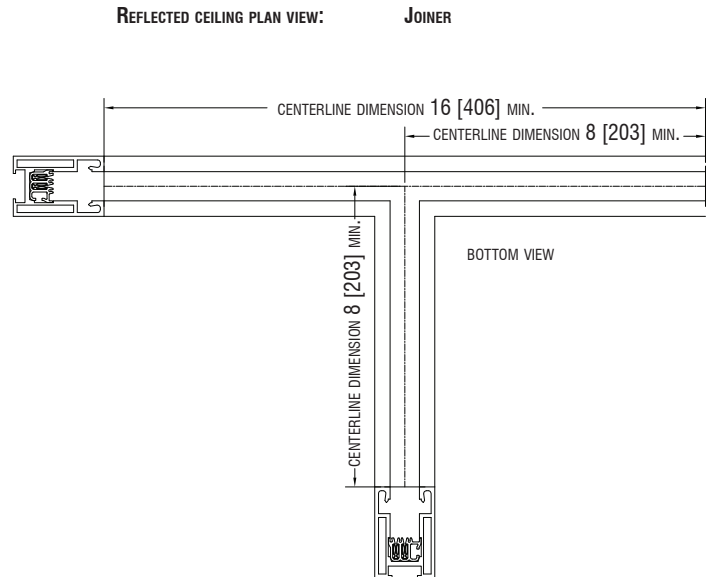
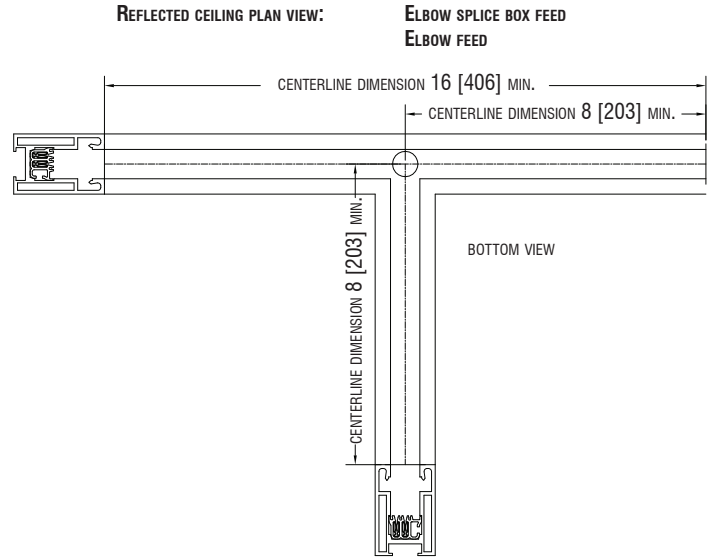
T-Dimensions (Typical):



MAXIMUM UNIT LENGTH IS 10' [3048] UNINTERRUPTED SPAN. SPLICE KITS TO ADJACENT SECTIONS OCCUPY 4" [102] FOR 16, 20 AND 30 AMP CAPACITY AND 6" FOR 60 AMP CAPACITY. WHEN CALCULATING PLUG-IN SPACE:

$$(TOTAL LENGTH OF SECTION) - (FEED) - (SPLICE KIT/2) = TOTAL AVAILABLE PLUG-IN SPACE$$

FOR FITTER LENGTHS, PLEASE SEE FIXTURE CUTSHEETS.



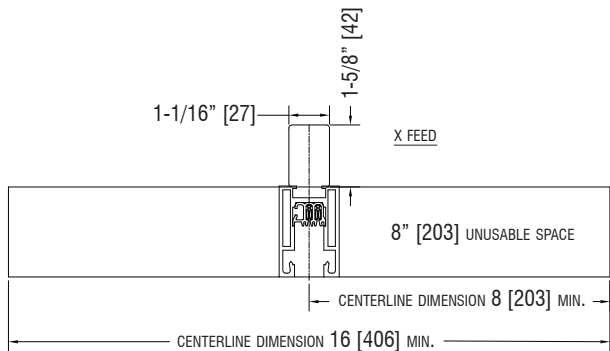
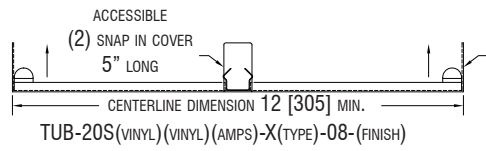
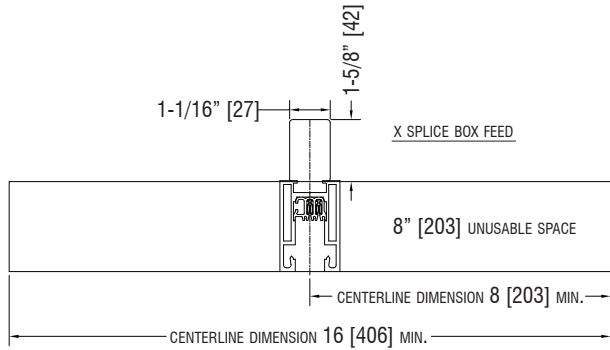
BUS-20S

X, T, L Configurations

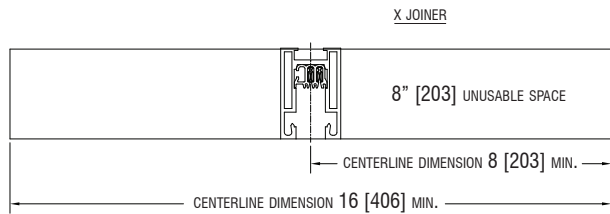
Project Name

Type

X-Dimensions (Typical):



TUF-20S(VINYL)(VINYL)(AMPS)-X(TYPE)-08-(FINISH)



TUF-20S(VINYL)(VINYL)(AMPS)-X(TYPE)-08-(FINISH)

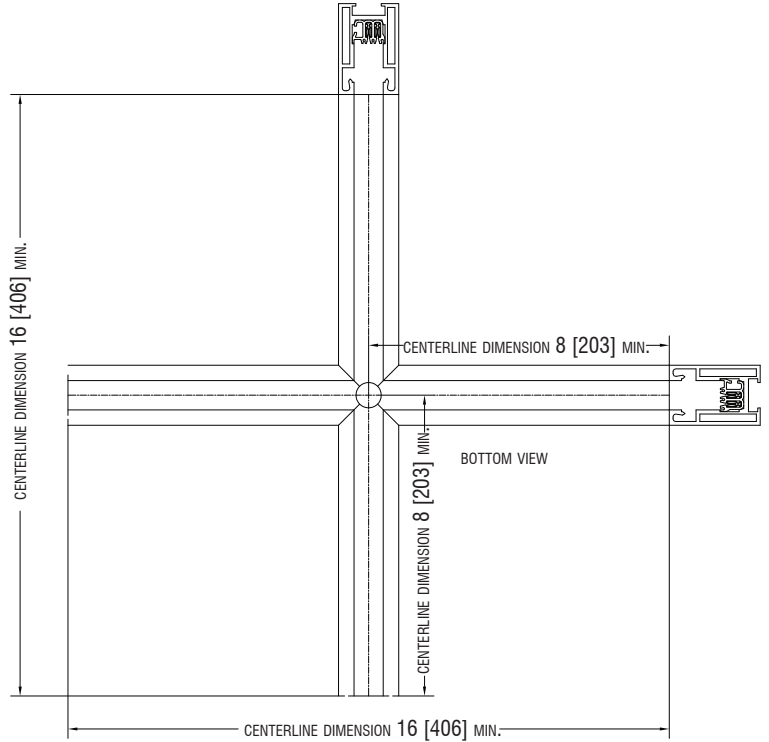
MAXIMUM UNIT LENGTH IS 10' [3048] UNINTERRUPTED SPAN. SPLICE KITS TO ADJACENT SECTIONS OCCUPY 4" [102] FOR 16, 20 AND 30 AMP CAPACITY AND 6" FOR 60 AMP CAPACITY. WHEN CALCULATING PLUG-IN SPACE:

$$(TOTAL LENGTH OF SECTION) - (FEED) - (SPLICE KIT/2) = TOTAL AVAILABLE PLUG-IN SPACE$$

FOR FITTER LENGTHS, PLEASE SEE FIXTURE CUTSHEETS.

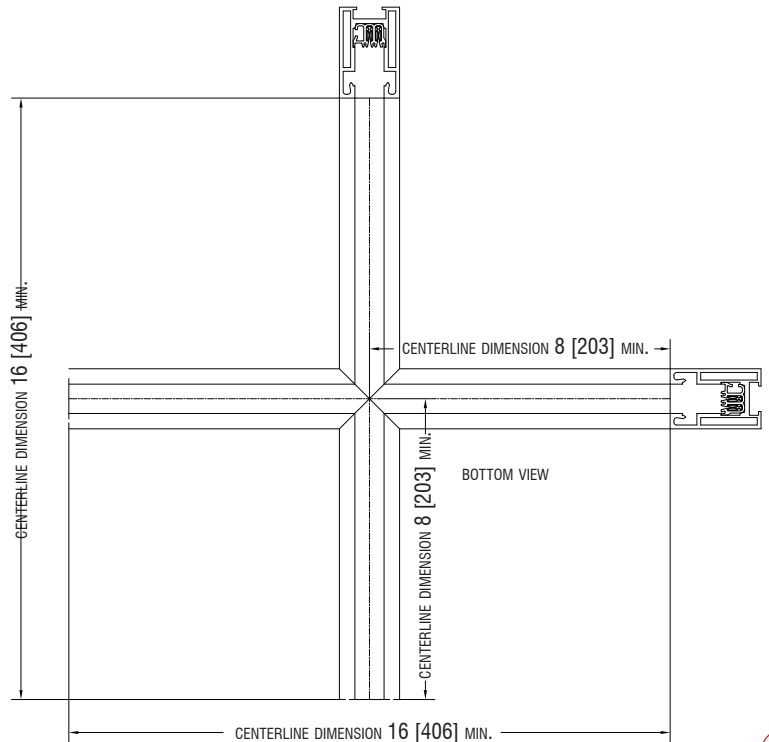
REFLECTED CEILING PLAN VIEW:

ELBOW SPLICE BOX FEED
ELBOW FEED



REFLECTED CEILING PLAN VIEW:

JOINER



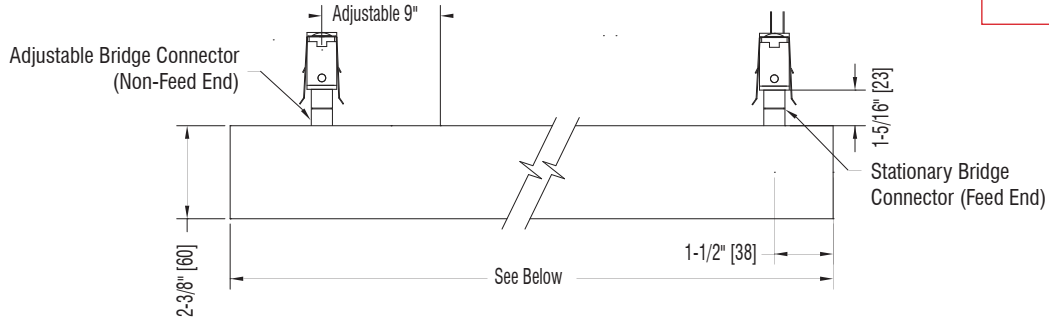
BUS-20S

Accessories

Project Name

Type

BusBridge

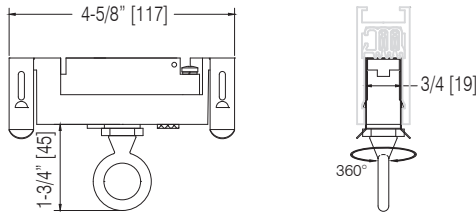


Maximum Load: 40 lbs

Codes	Adaptor/Voltage	Finish
BB1D-054 3'9" [Min. Span] 4'3" [Max. Span] 4'6" [Total Length]	9AD-A (120 Volts)	P=White
BB1D-102 7'9" [Min. Span] 8'3" [Max. Span] 8'6" [Total Length]	9AD-D (240 Volts)	MB = Matte Black
BB1D-120 9'0" [Min. Span] 9'9" [Max. Span] 10'0" [Total Length]	9AD-C (277 Volts)	NT = Brushed UF = Unfinished ST = Silver Tone

Example: BB1D-102-9AD-A-MB

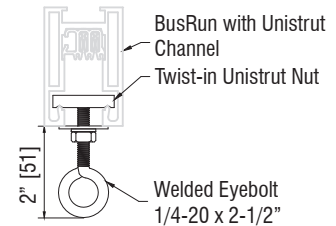
Sign Hanger*



Supports 40lb (18kg) Maximum Static Vertical Load

Code	Adaptor	Finish
BSH	9ED	P=White MB = Matte Black ST = Silver Tone R = Unfinished

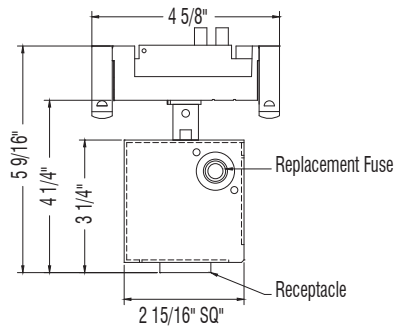
Loadmatic Hanging



Supports up to 100lb [45kg] Maximum Static Vertical Load

Code	Finish
BSH-UNI	P=White MB = Matte Black R = Unfinished

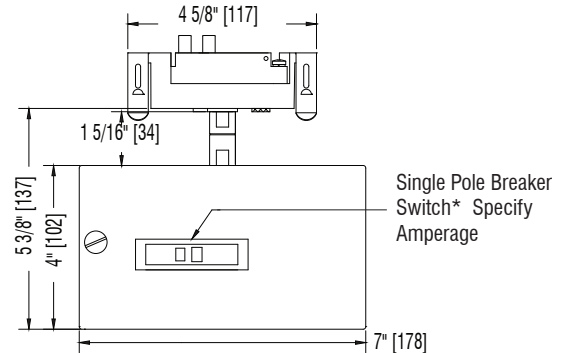
PowerDown Box*



Code/Amperage	Adaptor / Voltage	Finish
3-Prong Edison Plug		P=White
BPT-P15F	9AD-A (120 Volts)	MB=Matte Black
Twist Lock		ST=Silver Tone
BPT-T15F	9AD-A (120 Volts)	CP=Custom Finish
BPT-T20F		

NEMA Guide	120 volt	277 volt
BPT-P15F	5-15R	
BPT-T15F	L5-15R	L7-15R
BPT-T20F	L5-20R	L7-20R

PowerDown Breaker*



Code/Amperage	Adaptor / Voltage	Finish
BPT-K15B	9AD (120 Volts)	P=White
BPT-K20B		MB=Matte Black
BPT-K30B		ST=Silver Tone
		CP=Custom Finish

Includes knockouts

* Includes 11" Safety Cable



251 Elm Street, Buffalo, NY 14203 USA
800-238-4120 | www.litelab.com

