

# BUS-13R

Recessed D-Bar, Trimless



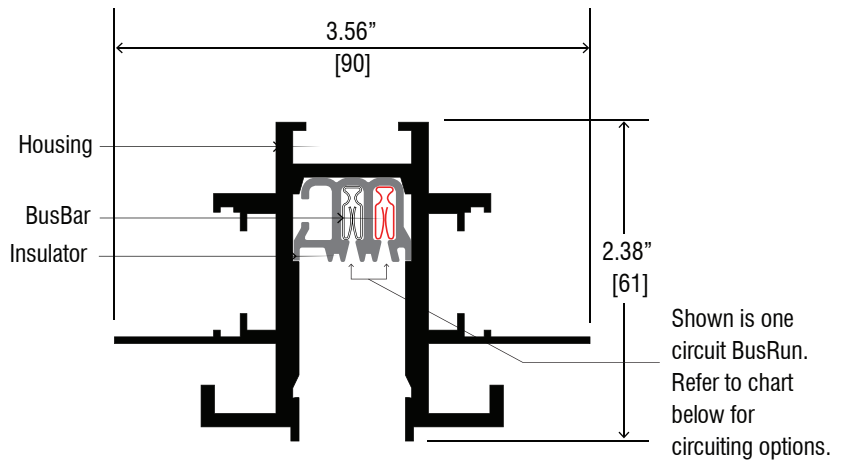
Project Name

Type

Feed Code	Profile / Mounting	Vinyl / Voltage	Vinyl / Voltage	Amperage	Total Length of Straight Run (in.)*	Finish	Whip (ft.)
BUS	CEC	1A	n/a	16A	1A	Unfinished	UF
EEB	SEC	2A		20A	1.5A		
EEF	TEC	6A		30A	2A		
SCB		3D		60A	3A		
SCF		2D			4A		
SEB		6D			5A		
SEF		3C			6A		
TCB		4B			8A		
TCF		4K			12A		
TEB							
TEF							

## Circuiting Chart

<b>1A</b> 1 circ. (120V) 1-hot, 1-neutral 	<b>2A</b> 2 circ. (120V) 2-hot, 1-neutral 	<b>3D</b> 1 circ. (230V) 1-hot, 1-neutral 
<b>2D</b> 2 circ. (240V) 2-hot, 1-neutral 	<b>3C</b> 1 circ. (277V) 1-hot, 1-neutral 	<b>4B (Consult Factory)</b> 1 circ. (Low Voltage) 1-hot, 1-neutral 
<b>4K (Consult Factory)</b> 1 circ. (Low Voltage) International 1-hot, 1-neutral 	<b>6A</b> 1 circ. (120V) 2-hot, 1-neutral tied hots 	<b>6D</b> 1 circ. (230V) 2-hot, 1-neutral tied hots 



**Feed Options:** Standard BusRun feed capacity is 20 Amps (120v) or 16 Amps (230 Volt); 30 and 60 Amp feeds are available

<b>TEF-13R</b> <b>TEC-13R ((Current Limiter)*)</b> Top End Feed 1/2" NPSM or 20mm Conduit 	<b>TCF-13R</b> Top Center Feed 1/2" NPSM or 20mm Conduit 	<b>SEF-13R</b> <b>SEC-13R (Current Limiter)*</b> Side End Feed 1/2" NPSM or 20mm Conduit 
<b>TEB-13R</b> Top End Splice-Box 30 Amp Max 	<b>TCB-13R</b> Top Center Splice Box 30 Amp Max 	<b>SEB-13R</b> Side End Splice Box 30 Amp Max 
<b>EEF-13R</b> <b>EEC-13R ((Current Limiter)*)</b> End End Feed 1/2" NPSM or 20mm Conduit 	<b>EEB-13R</b> End End Splice-Box 30 Amp Max 	<b>SCF-13R</b> Side Center Feed 1/2" NPSM or 20mm Conduit 

Notes:

- All Splice Box feeds are 30 Amp maximum load.
- All feeds are supplied with two end caps.
- Feeds cannot be field modified.
- Feeds can be made between 10" - 120".
- Maximum loads are per circuit.

*CL: Current Limiter Values (120v Only)			
1A	120VA	5A	600VA
1.5A	180VA	6A	720VA
2A	240VA	8A	960VA
3A	360VA	12A	1440VA
4A	480VA		

**SCB-13R**  
 Side Center Splice Box  
 30 Amp Max

# BUS-13R

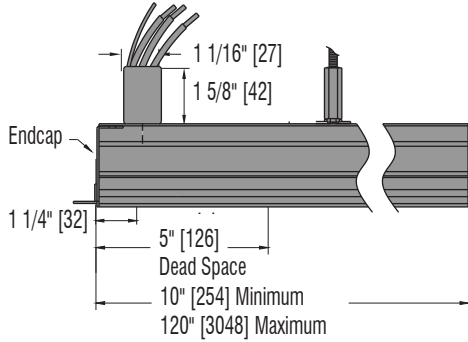
Recessed D-Bar, Trimless

Project Name

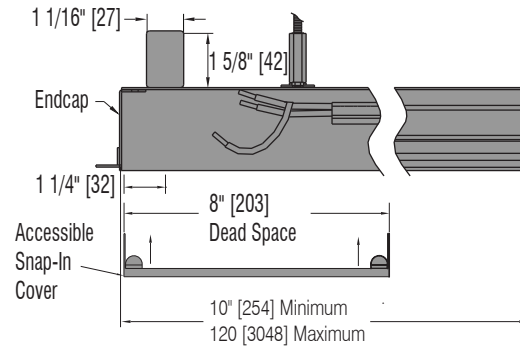
Type

## Dimension Chart

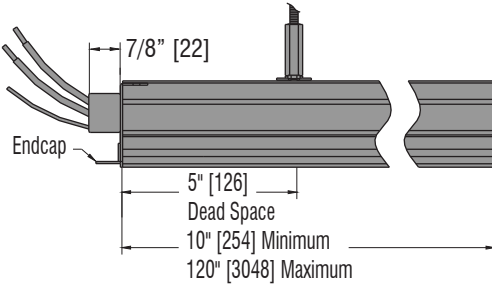
### Top End Feed



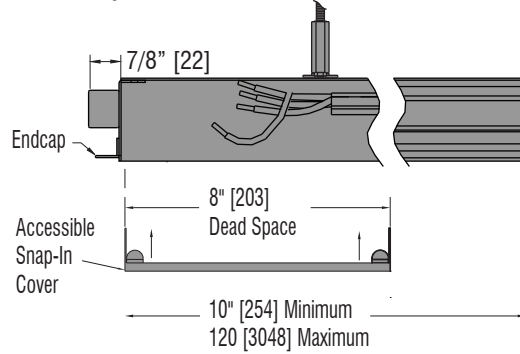
### Top End Splice-Box Feed



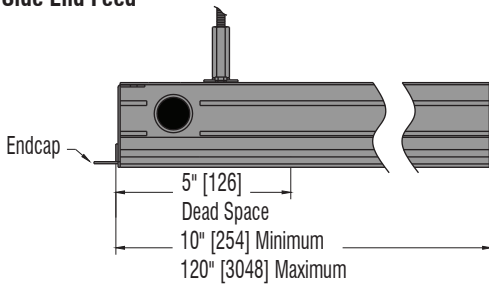
### End End Feed



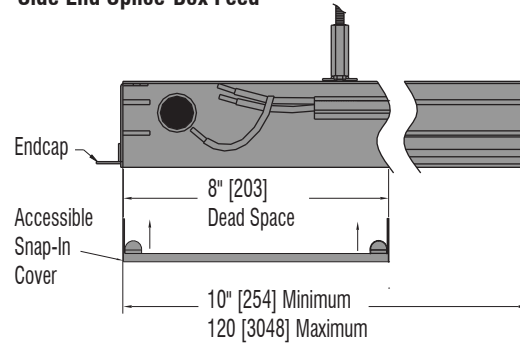
### End End Splice-Box Feed



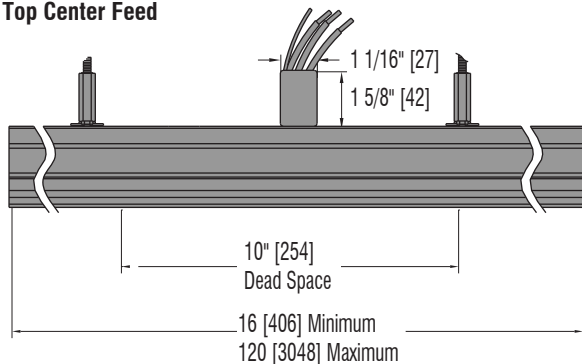
### Side End Feed



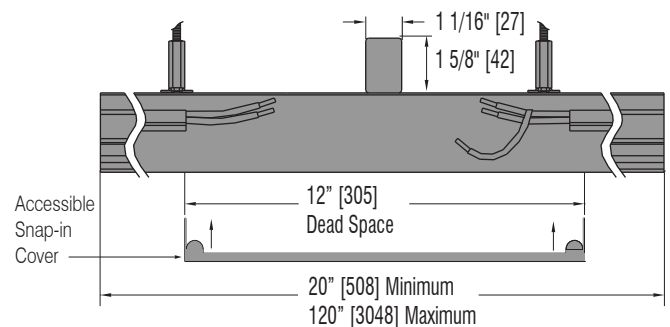
### Side End Splice-Box Feed



### Top Center Feed



### Top Center Splice-Box Feed



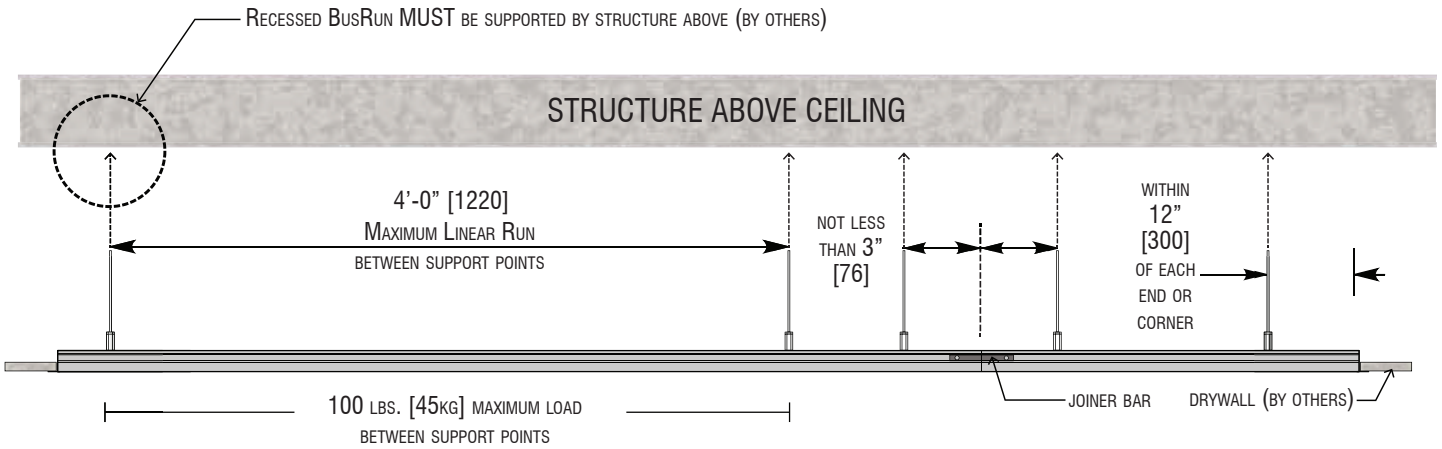
# BUS-13R

Recessed D-Bar, Trimless

Project Name

Type

## Mounting Diagram



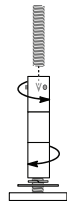
### MOUNTING NOTES:

- 10'0" [3048] RECESSED BUSRUN SECTION REQUIRES 3 SUPPORT POINTS.
- 8'0" [2438] RECESSED BUSRUN SECTION REQUIRES 3 SUPPORT POINTS.
- 4'0" [1219] RECESSED BUSRUN SECTION REQUIRES 2 SUPPORT POINTS.

### MOUNTING RULES

- 12" [300]** A SUPPORT POINT MUST BE PROVIDED WITHIN 12" OF EVERY END CORNER OF THE BUSRUN LAYOUT.
- 4'-0" [1220]** MAXIMUM DISTANCE BETWEEN SUPPORT POINTS CANNOT EXCEED 4'0" LINEAR FEET OF BUSRUN.
- 3" [76]** SUPPORT POINTS CANNOT BE WITHIN 3" FROM THE CENTERLINE ON BOTH SIDES OF BUSRUN JOINTS.
- 100LB [45KG]** BUSRUN BUSWAY AND MOUNTING HARDWARE ARE RATED FOR A TOTAL SUPPORTED WEIGHT UP TO 100 LBS [45KG] BETWEEN SUPPORT POINTS.

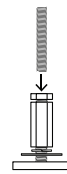
### MOUNTING OPTIONS



THREADED ROD HANGER

NICKEL-PLATED COUNTER-ROTATING THREADED ROD HANGER AND MOUNTING BAR ENABLE ATTACHMENT AND LEVELING OF BUSRUN TO FIXED THREADED ROD.

- B-HHO-TR250 FOR 1/4-20 ROD
- B-HHO-TR375 FOR 3/8-16 ROD



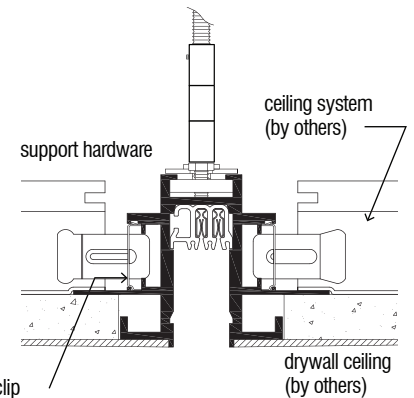
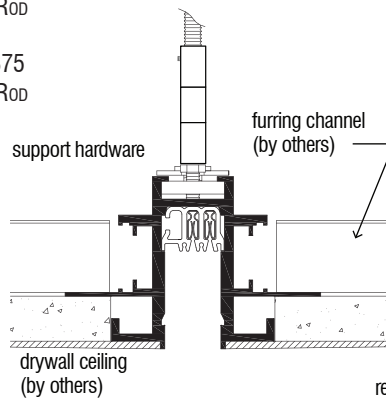
COUPLING NUT FOR THREADED ROD

- B-HHO-CK-M6-01 FOR M6 ROD



RETAINING CLIP FOR CEILING SYSTEM

- TBC-IT-01 (ORDERED SEPARATELY)



# BUS-13R

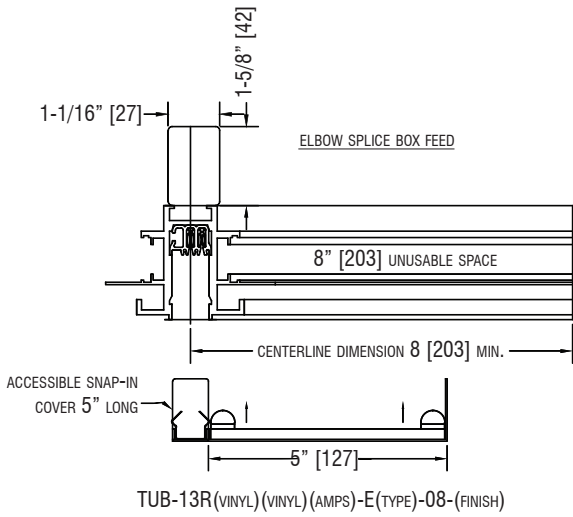
X, T, L Configurations

Project Name

Type

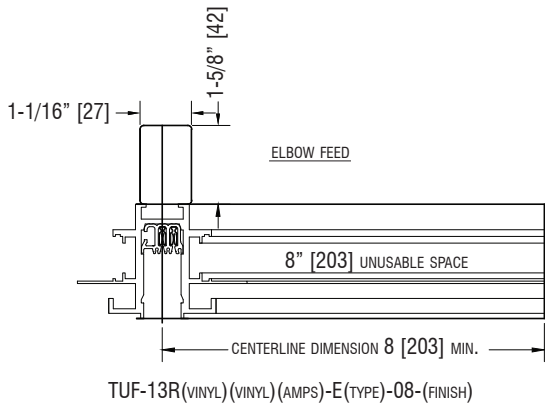
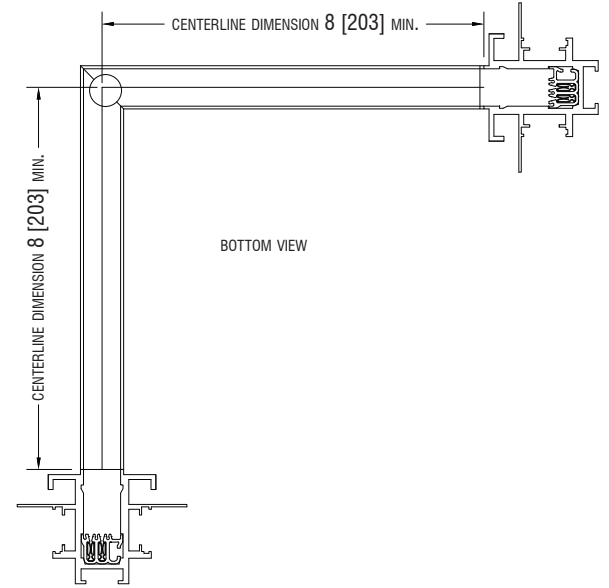


## L-Dimensions (Typical):



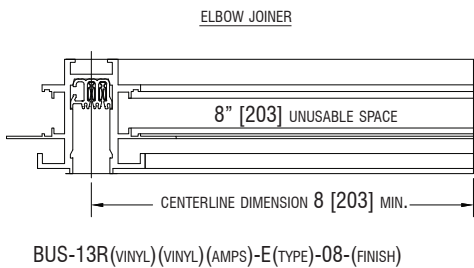
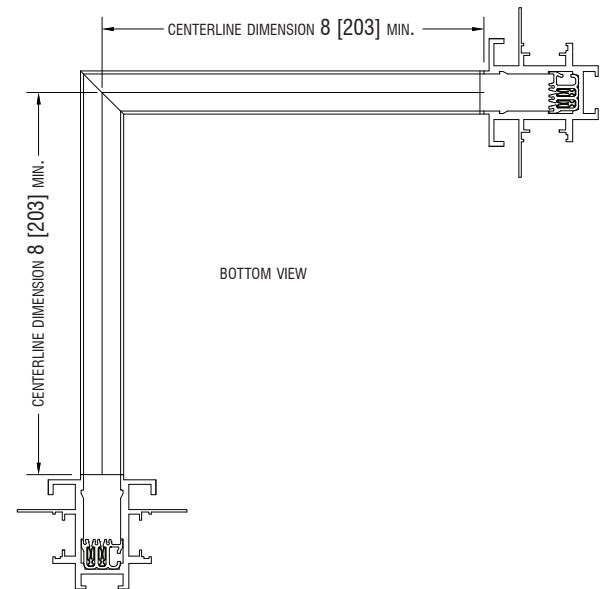
REFLECTED CEILING PLAN VIEW:

ELBOW SPLICE BOX FEED  
ELBOW FEED



REFLECTED CEILING PLAN VIEW:

JOINER



MAXIMUM UNIT LENGTH IS 10' [3048] UNINTERRUPTED SPAN. SPLICE KITS TO ADJACENT SECTIONS OCCUPY 4" [102] FOR 16, 20 AND 30 AMP CAPACITY AND 6" FOR 60 AMP CAPACITY. WHEN CALCULATING PLUG-IN SPACE:

$$(TOTAL LENGTH OF SECTION) - (FEED) - (SPLICE KIT/2) = TOTAL AVAILABLE PLUG-IN SPACE$$

FOR FITTER LENGTHS, PLEASE SEE FIXTURE CUTSHEETS.

# BUS-13R

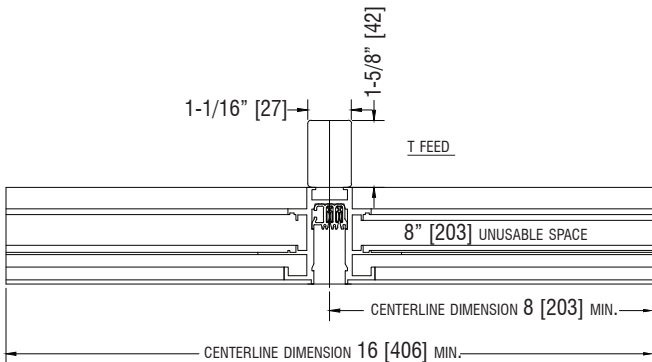
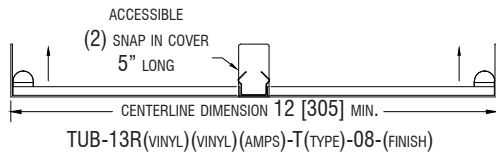
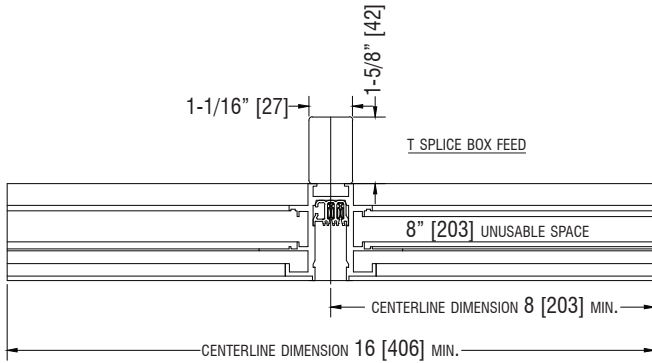
X, T, L Configurations

Project Name

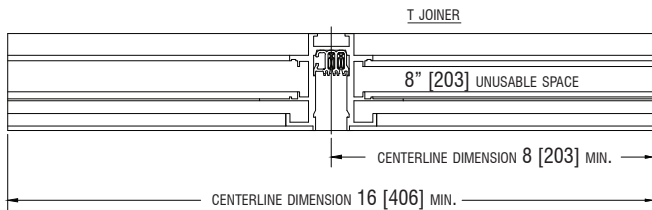
Type



## T-Dimensions (Typical):



TUF-13R(VINYL)(VINYL)(AMPS)-T(TYPE)-08-(FINISH)



TUF-13R(VINYL)(VINYL)(AMPS)-T(TYPE)-08-(FINISH)

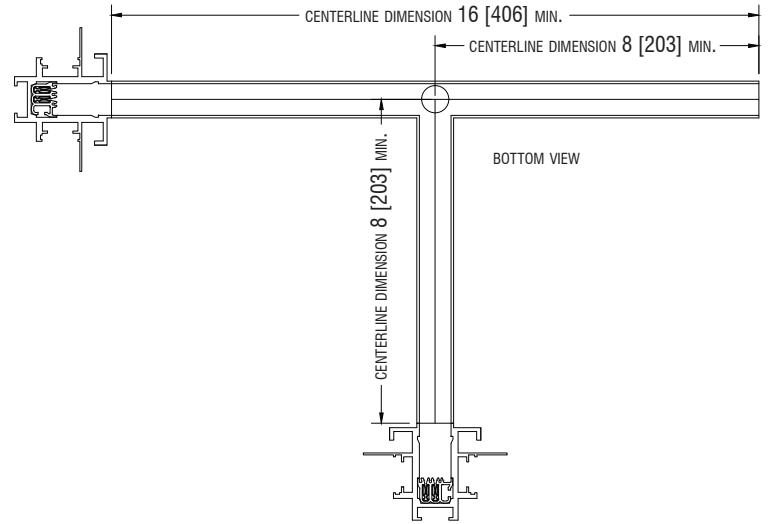
MAXIMUM UNIT LENGTH IS 10' [3048] UNINTERRUPTED SPAN. SPLICE KITS TO ADJACENT SECTIONS OCCUPY 4" [102] FOR 16, 20 AND 30 AMP CAPACITY AND 6" FOR 60 AMP CAPACITY. WHEN CALCULATING PLUG-IN SPACE:

$$(TOTAL LENGTH OF SECTION) - (FEED) - (SPLICE KIT/2) = TOTAL AVAILABLE PLUG-IN SPACE$$

FOR FITTER LENGTHS, PLEASE SEE FIXTURE CUTSHEETS.

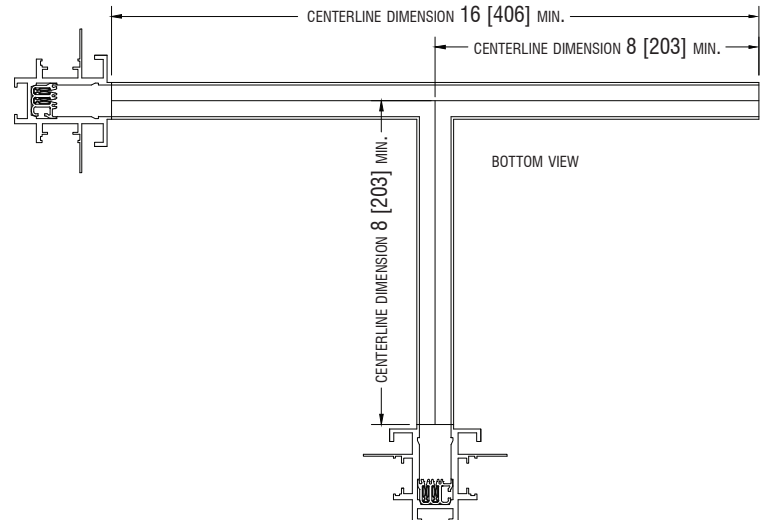
### REFLECTED CEILING PLAN VIEW:

### ELBOW SPLICE BOX FEED ELBOW FEED



### REFLECTED CEILING PLAN VIEW:

### JOINER



# BUS-13R

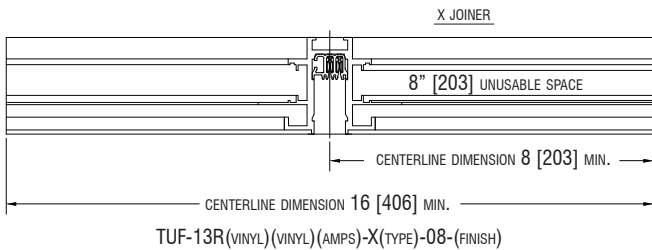
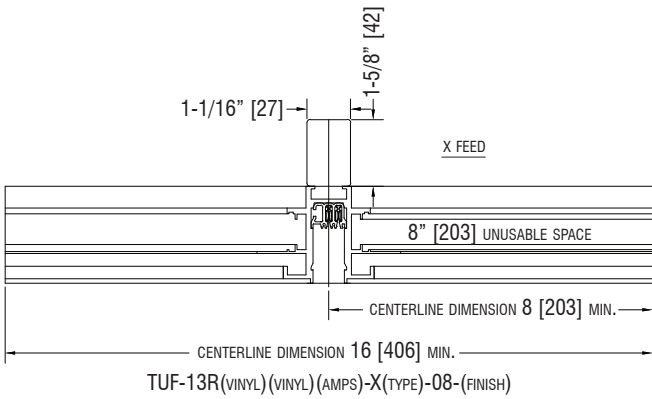
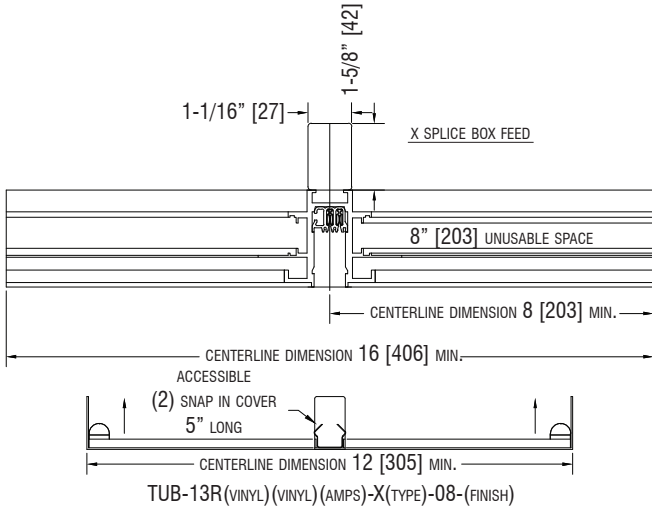
X, T, L Configurations

Project Name

Type



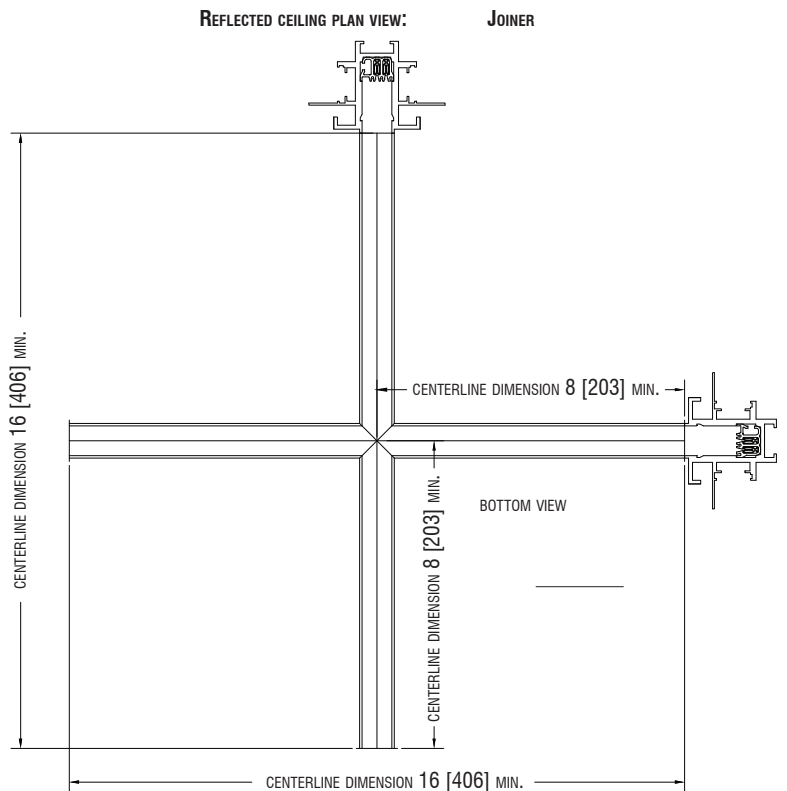
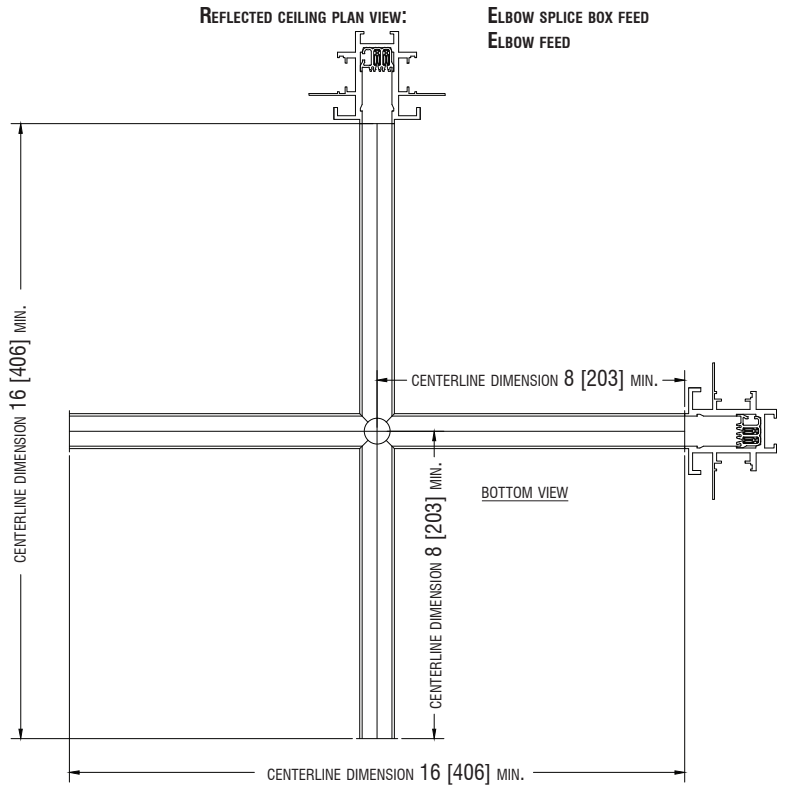
## X-Dimensions (Typical):



MAXIMUM UNIT LENGTH IS 10' [3048] UNINTERRUPTED SPAN. SPLICE KITS TO ADJACENT SECTIONS OCCUPY 4" [102] FOR 16, 20 AND 30 AMP CAPACITY AND 6" FOR 60 AMP CAPACITY. WHEN CALCULATING PLUG-IN SPACE:

$$(TOTAL LENGTH OF SECTION) - (FEED) - (SPLICE KIT/2) = TOTAL AVAILABLE PLUG-IN SPACE$$

FOR FITTER LENGTHS, PLEASE SEE FIXTURE CUTSHEETS.



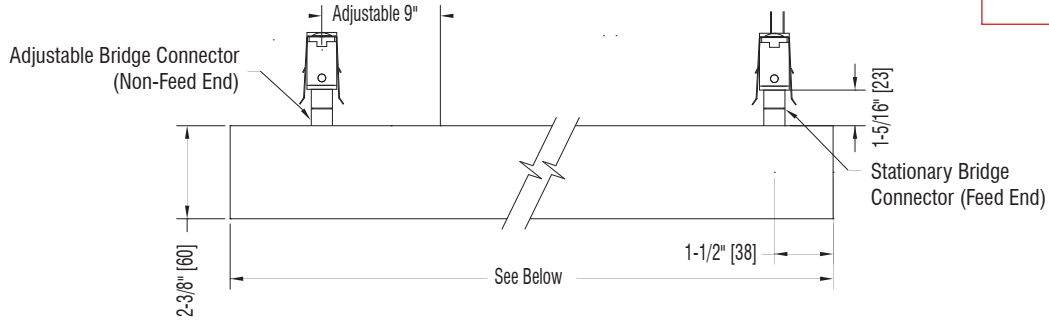
# BUS-13R

Accessories

Project Name

Type

## BusBridge

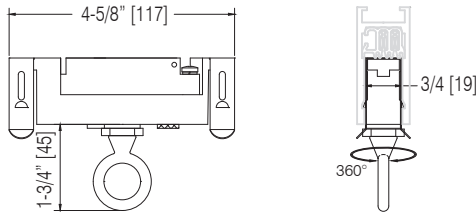


Maximum Load: 40 lbs

Codes	Adaptor/Voltage	Finish
BB1D-054 3'9" [Min. Span]   4'3" [Max. Span]   4'6" [Total Length]	9AD-A (120 Volts)	P=White
BB1D-102 7'9" [Min. Span]   8'3" [Max. Span]   8'6" [Total Length]	9AD-D (240 Volts)	MB = Matte Black
BB1D-120 9'0" [Min. Span]   9'9" [Max. Span]   10'0" [Total Length]	9AD-C (277 Volts)	NT = Brushed UF = Unfinished ST = Silver Tone

Example: BB1D-102-9AD-A-MB

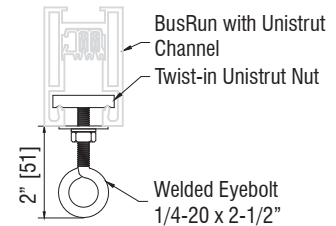
## Sign Hanger\*



Supports 40lb (18kg) Maximum Static Vertical Load

Code	Adaptor	Finish
BSH	9ED	P=White MB = Matte Black ST = Silver Tone R = Unfinished

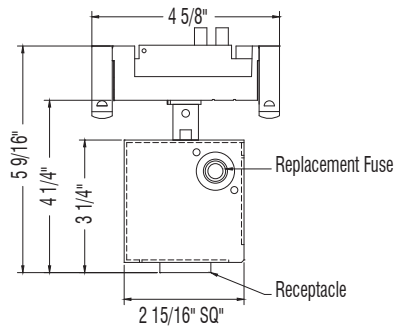
## Loadmatic Hanging



Supports up to 100lb [45kg] Maximum Static Vertical Load

Code	Finish
BSH-UNI	P=White MB = Matte Black R = Unfinished

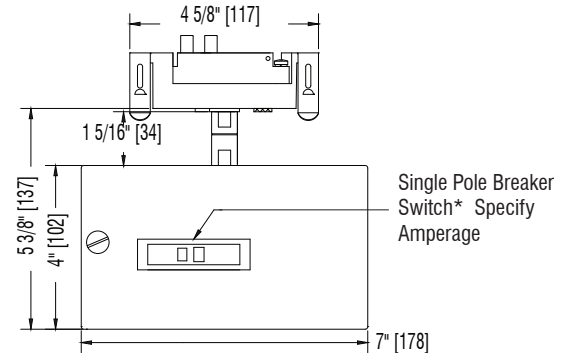
## PowerDown Box\*



Code/Amperage	Adaptor / Voltage	Finish
3-Prong Edison Plug		P=White
BPT-P15F	9AD-A (120 Volts)	MB=Matte Black
Twist Lock		ST=Silver Tone
BPT-T15F	9AD-A (120 Volts)	CP=Custom Finish
BPT-T20F		

NEMA Guide	120 volt	277 volt
BPT-P15F	5-15R	
BPT-T15F	L5-15R	L7-15R
BPT-T20F	L5-20R	L7-20R

## PowerDown Breaker\*



Code/Amperage	Adaptor / Voltage	Finish
BPT-K15B	9AD (120 Volts)	P=White
BPT-K20B		MB=Matte Black
BPT-K30B		ST=Silver Tone
		CP=Custom Finish

Includes knockouts

\* Includes 11" Safety Cable



251 Elm Street, Buffalo, NY 14203 USA  
800-238-4120 | www.litelab.com

