

BUS-09H

Hanging



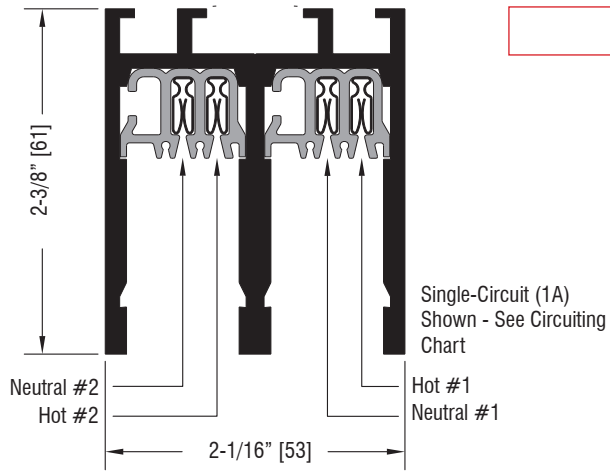
Project Name

Type

| Feed Code | Profile / Mounting | Vinyl / Voltage | Vinyl / Voltage | Amperage | Total Length of Straight Run (in.)* | Finish | Distance (in.) |
|-----------|--------------------|-----------------|-----------------|----------|-------------------------------------|-------------|----------------|
| BUS | AEC | 1A | 1A | 16A | 1A | White | P Pendant 18" |
| ACF | MEC | 2A | 2A | 20A | 1.5A | Matte Black | MB F.C. |
| AEF | PEC | 6A | 6A | 30A | 2A | Brushed | NT Pendant 24" |
| EEB | TEC | 3D | 3D | 60A | 3A | Unfinished | UF 48" |
| EEF | | 2D | 2D | | 4A | Custom | CP Cable 60" |
| MCF | | 6D | 6D | | 5A | | |
| MEF | | 3C | 3C | | 6A | | |
| PCF | | 4B | 4B | | 8A | | |
| PEF | | 4K | 4K | | 12A | | |
| TCB | | | | | | | |
| TCF | | | | | | | |
| TEB | | | | | | | |
| TEF | | | | | | | |

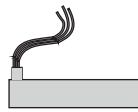
Circuiting Chart

| | | |
|---|--|--|
| 1A 1 circ. (120V) 1-hot, 1-neutral | 2A 2 circ. (120V) 2-hot, 1-neutral | 3D 1 circ. (230V) 1-hot, 1-neutral |
| 2D 2 circ. (240V) 2-hot, 1-neutral | 3C 1 circ. (277V) 1-hot, 1-neutral | 4B (Consult Factory) 1 circ. (Low Voltage) 1-hot, 1-neutral |
| 4K (Consult Factory) 1 circ. (Low Voltage) International 1-hot, 1-neutral | 6A 1 circ. (120V) 2-hot, 1-neutral tied hots | 6D 1 circ. (230V) 2-hot, 1-neutral tied hots |

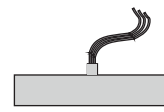


Feed Options: Standard BusRun feed capacity is 20 Amps (120v) or 16 Amps (230 Volt); 30 and 60 Amp feeds are available

TEF-09H
TEC-09H ((Current Limiter)*)
Top End Feed
1/2" NPSM or 20mm Conduit



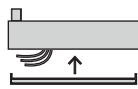
TCF-09H
Top Center Feed
1/2" NPSM or 20mm Conduit



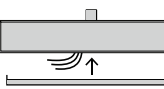
EEF-09H
EEC-09H (Current Limiter)*
End End Feed
1/2" NPSM or 20mm Conduit



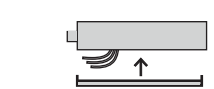
TEB-09H
Top End Splice-Box
30 Amp Max



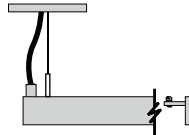
TCB-09H
Top Center Splice Box
30 Amp Max



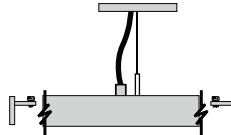
EEB-09H
End End Splice-Box
30 Amp Max



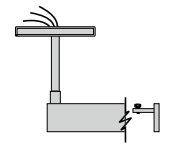
AEF-09H
AEC-09H (CL)
Top End Feed:
Cable Style
5.0" dia canopy



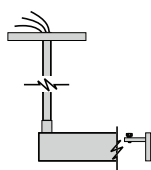
ACF-09H
Top Center Feed:
Cable Style
5.0" dia canopy



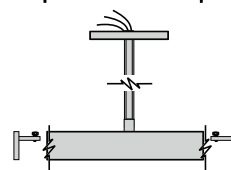
PEF-09H
PEC-09H (CL)
Pendant End Feed:
6.75" dia canopy
1/2" NPSM pendant



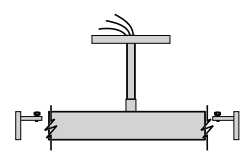
MEF-09H
MEC-09H (CL)
Field Cuttable
Pendant End Feed:
5.0" dia canopy
1/2" pendant



MCF-09H
Field Cuttable
Pendant Center Feed:
5.0" dia canopy
1/2" pendant



PCF-09H
Pendant Center Feed:
6.75" dia canopy
1/2" NPSM pendant



BUS-09H

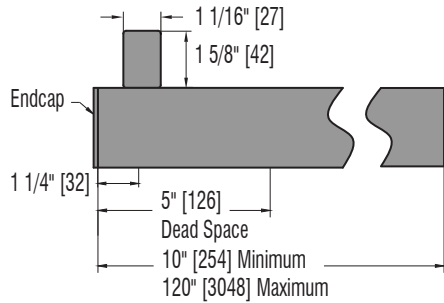
Hanging

Project Name

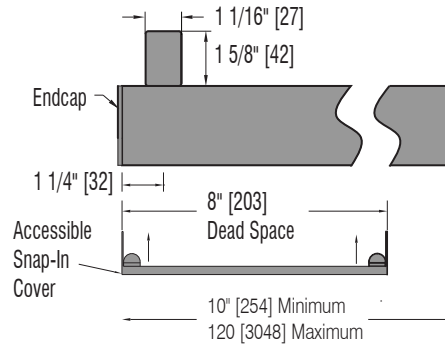
Type

Dimension Chart

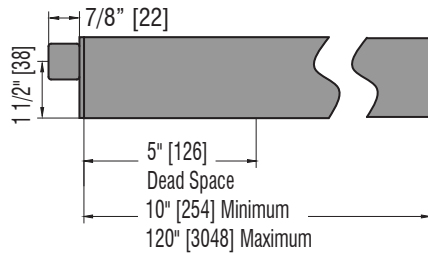
Top End Feed



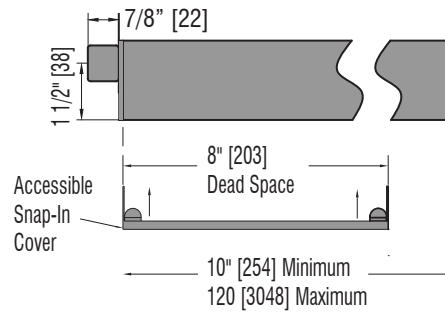
Top End Splice-Box Feed



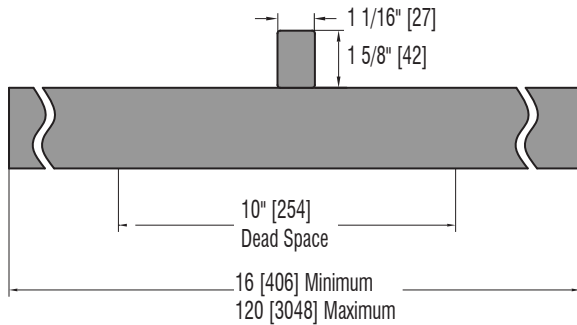
End End Feed



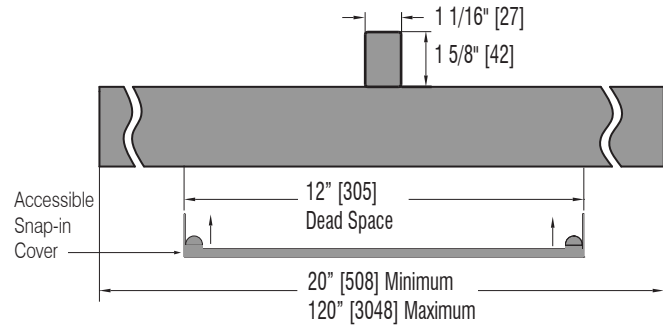
End End Splice-Box Feed



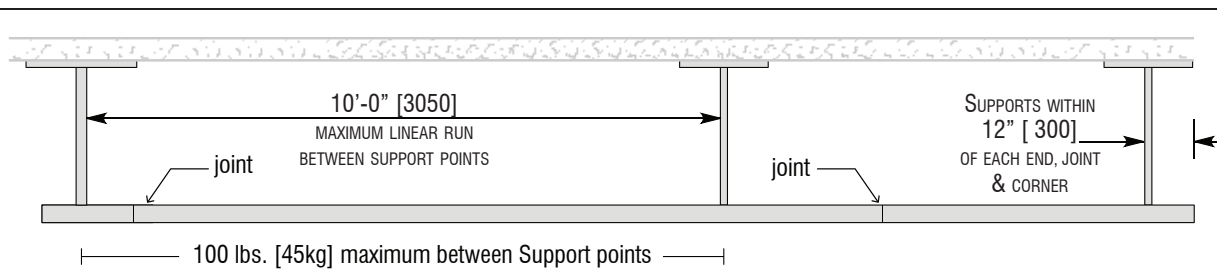
Top Center Feed



Top Center Splice-Box Feed



Mounting Diagram



BUS-09H

Hanging

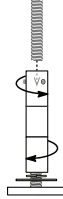
Project Name

Type

Mounting Rules

- 12" [300] A hang-point must be provided within 12" of every end or corner of the BusRun layout.
- 10'-0" [3050] Maximum distance between hang-points cannot exceed 10'-0" linear feet of Hanging BusRun Busway.
- 14" [350] Support points cannot be within 7" from the centerline on both sides of sleeved joints.
- 100lb (45kg) BusRun Busway and mounting hardware are rated for a total supported weight up to 100lbs (45kg) between Support points.

Hanging Options



Threaded Rod Hanger

Nickel-plated counter-rotating threaded rod hanger and mounting bar enable attachment and leveling of BusRun to fixed threaded rod.

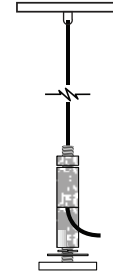
- B-HH0-TR250 for 1/4-20 rod
- B-HH0-TR375 for 3/8-16 rod



LevelGlide™ Gripper cable with closed eyeloop

Cable with thimble, crimped loop at top, self-locking gripper and mounting bar at bottom, provide instant and precise height adjustability.

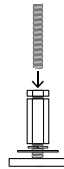
- B-HC0-060 5' [1524]
- B-HC0-120 10' [3048]
- B-HC0-180 15' [4572]



Canopy LevelGlide™ Gripper, cable, and canopy

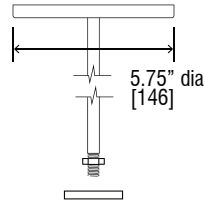
Cable with swivel coupler at top, self-locking gripper and mounting bar at bottom, provide instant and precise height adjustability. 5i dia canopy mounts to ceiling.

- B-HC0-060-C 5' [1524]
- B-HC0-120-C 10' [3048]
- B-HC0-180-C 15' [4572]



Coupling Nut for threaded rod

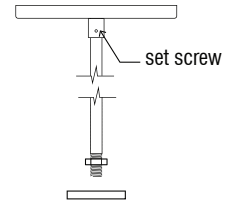
- B-HH0-CK-M6-01 for M6 rod



Support Pendant

5.75' canopy, stem and hex nut. Mounting bar supplied. Provides 18i height between bottom of Bus and ceiling.

- B-HPOD-18 18" [457]



Field Cuttable Support Pendant

5.0' canopy, stem and hex nut. Mounting bar supplied. Stem is field cuttable and secured with set screw at canopy.

- B-HPO-24-FC 2' [600]
- B-HPO-48-FC 4' [1200]

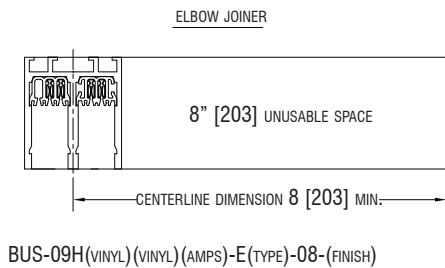
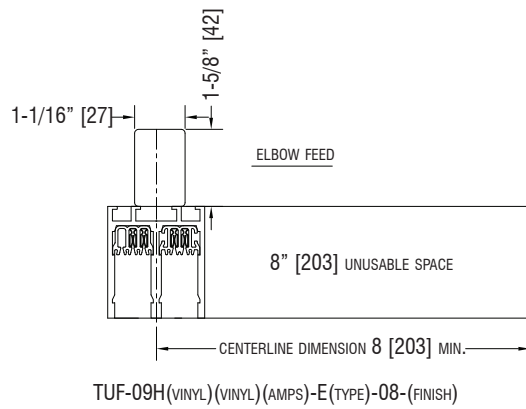
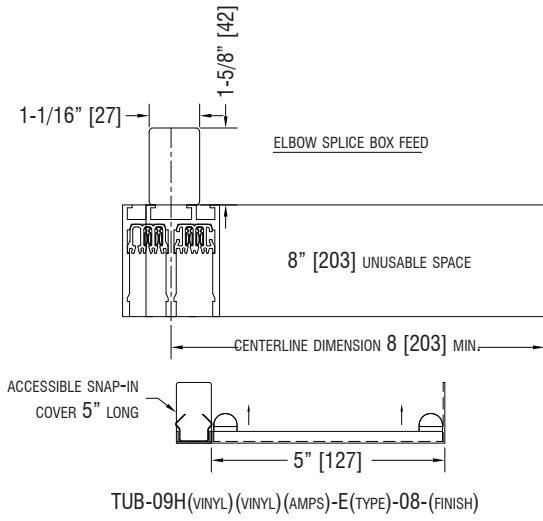
BUS-09H

X, T, L Configurations

Project Name

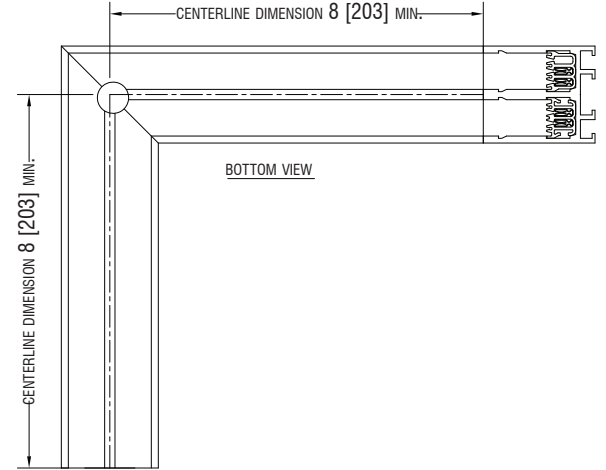
Type

L-Dimensions (Typical):



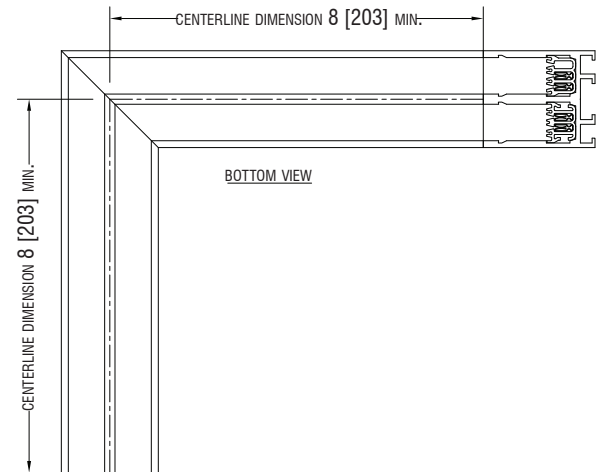
REFLECTED CEILING PLAN VIEW:

ELBOW SPLICE BOX FEED
ELBOW FEED



REFLECTED CEILING PLAN VIEW:

JOINER



MAXIMUM UNIT LENGTH IS 10' [3048] UNINTERRUPTED SPAN. SPLICE KITS TO ADJACENT SECTIONS OCCUPY 4" [102] FOR 16, 20 AND 30 AMP CAPACITY AND 6" FOR 60 AMP CAPACITY. WHEN CALCULATING PLUG-IN SPACE:

$$(TOTAL LENGTH OF SECTION) - (FEED) - (SPLICE KIT/2) = TOTAL AVAILABLE PLUG-IN SPACE$$

FOR FITTER LENGTHS, PLEASE SEE FIXTURE CUTSHEETS.

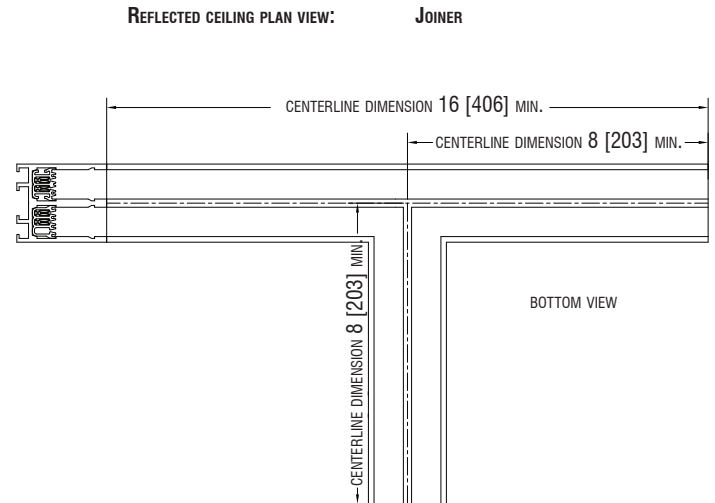
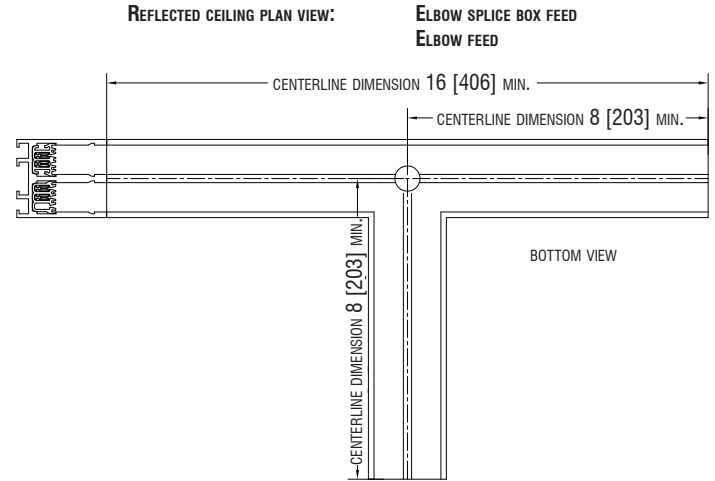
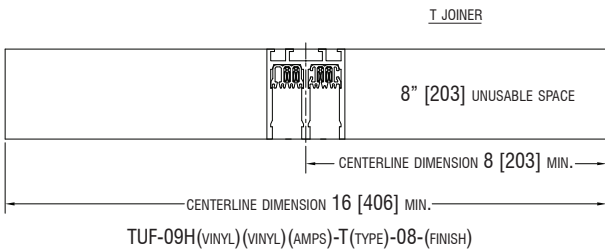
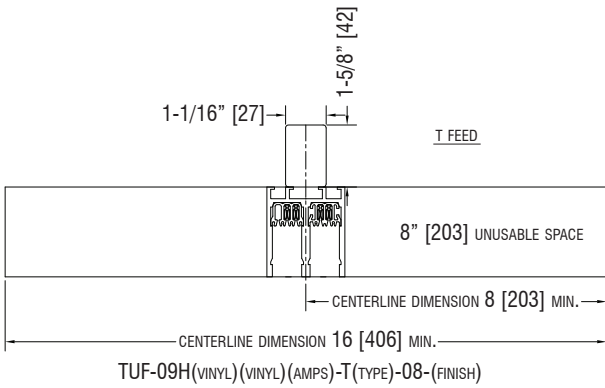
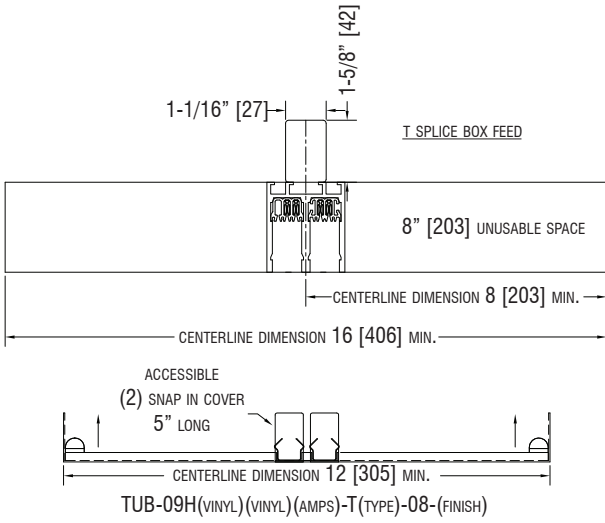
BUS-09H

X, T, L Configurations

Project Name

Type

T-Dimensions (Typical):



MAXIMUM UNIT LENGTH IS 10' [3048] UNINTERRUPTED SPAN. SPLICE KITS TO ADJACENT SECTIONS OCCUPY 4" [102] FOR 16, 20 AND 30 AMP CAPACITY AND 6" FOR 60 AMP CAPACITY. WHEN CALCULATING PLUG-IN SPACE:

$$(TOTAL LENGTH OF SECTION) - (FEED) - (SPLICE KIT/2) = TOTAL AVAILABLE PLUG-IN SPACE$$

FOR FITTER LENGTHS, PLEASE SEE FIXTURE CUTSHEETS.

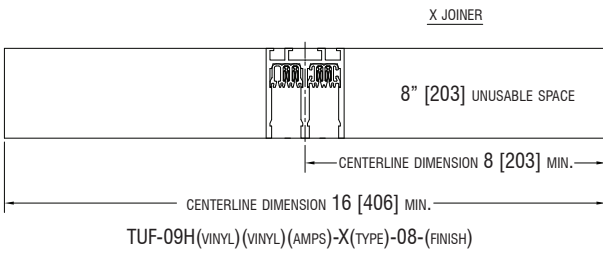
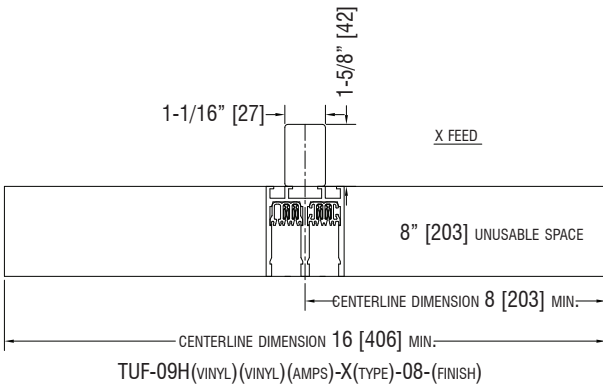
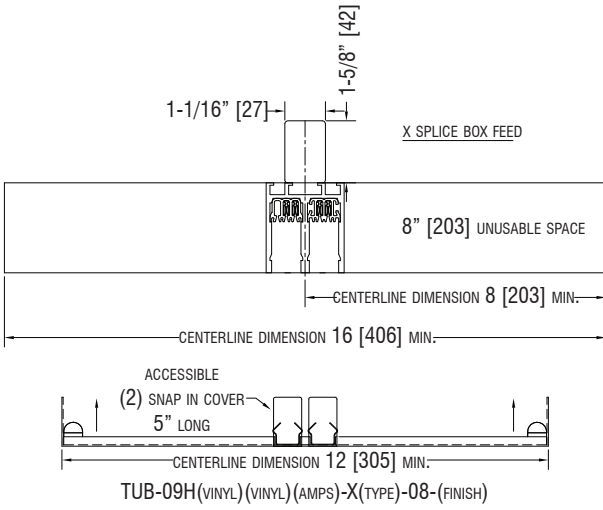
BUS-09H

X, T, L Configurations

Project Name

Type

X-Dimensions (Typical):



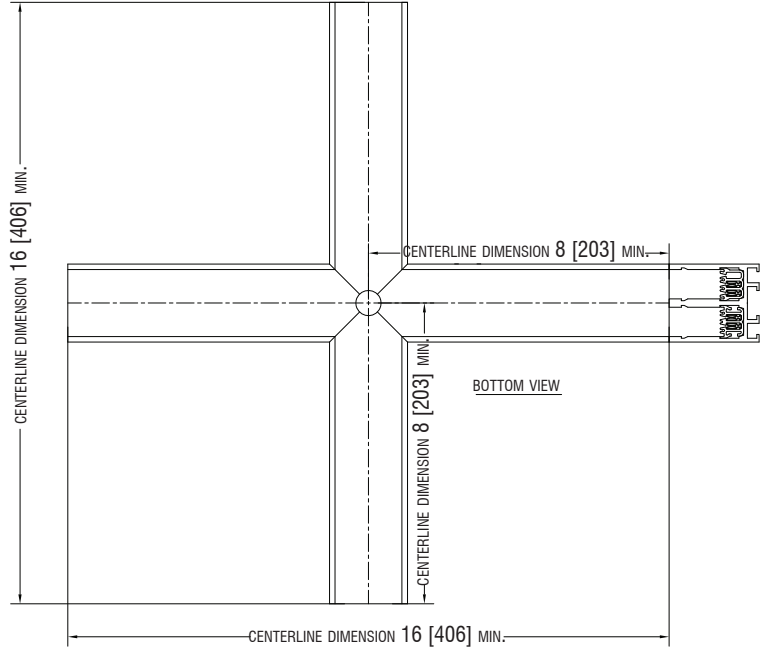
MAXIMUM UNIT LENGTH IS 10' [3048] UNINTERRUPTED SPAN. SPLICE KITS TO ADJACENT SECTIONS OCCUPY 4" [102] FOR 16, 20 AND 30 AMP CAPACITY AND 6" FOR 60 AMP CAPACITY. WHEN CALCULATING PLUG-IN SPACE:

$$(TOTAL LENGTH OF SECTION) - (FEED) - (SPLICE KIT/2) = TOTAL AVAILABLE PLUG-IN SPACE$$

FOR FITTER LENGTHS, PLEASE SEE FIXTURE CUTSHEETS.

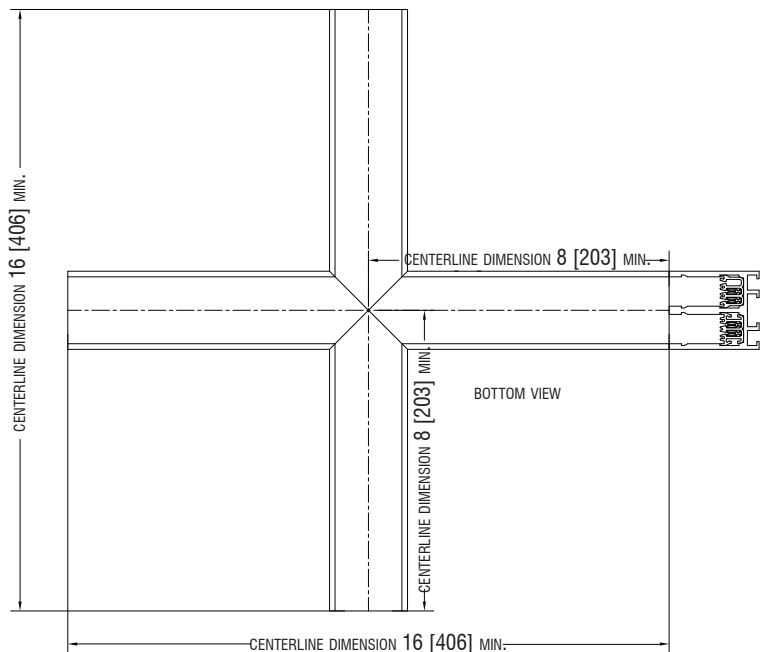
REFLECTED CEILING PLAN VIEW:

ELBOW SPLICE BOX FEED
ELBOW FEED



REFLECTED CEILING PLAN VIEW:

JOINER



BUS-09H

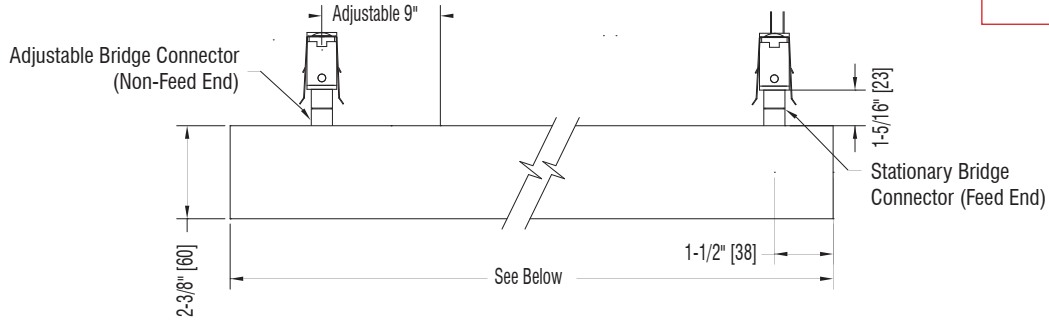
Accessories

Project Name

Type

BusBridge

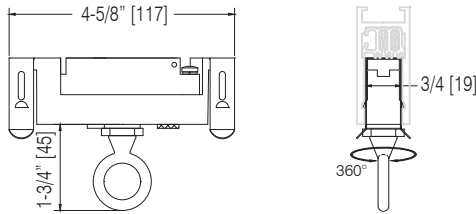
Maximum Load: 40 lbs



| Codes | Adaptor/Voltage | Finish |
|---|-------------------|------------------|
| BB1D-054 3'9" [Min. Span] 4'3" [Max. Span] 4'6" [Total Length] | 9AD-A (120 Volts) | P=White |
| BB1D-102 7'9" [Min. Span] 8'3" [Max. Span] 8'6" [Total Length] | 9AD-D (240 Volts) | MB = Matte Black |
| BB1D-120 9'0" [Min. Span] 9'9" [Max. Span] 10'0" [Total Length] | 9AD-C (277 Volts) | NT = Brushed |
| | | UF = Unfinished |
| | | ST = Silver Tone |

Example: BB1D-102-9AD-A-MB

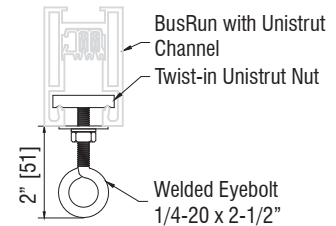
Sign Hanger*



Supports 40lb (18kg) Maximum Static Vertical Load

| Code | Adaptor | Finish |
|------|---------|------------------|
| BSH | 9ED | P=White |
| | | MB = Matte Black |
| | | ST = Silver Tone |
| | | R = Unfinished |

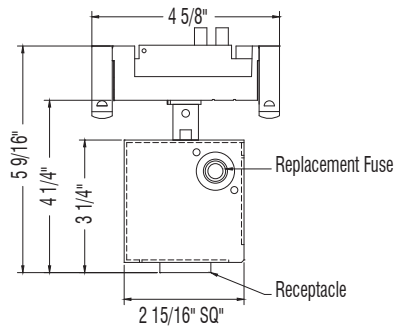
Loadmatic Hanging



Supports up to 100lb [45kg] Maximum Static Vertical Load

| Code | Finish |
|---------|------------------|
| BSH-UNI | P=White |
| | MB = Matte Black |
| | R = Unfinished |

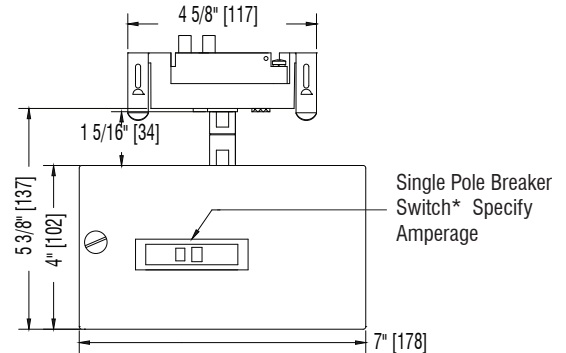
PowerDown Box*



| Code/Amperage | Adaptor / Voltage | Finish |
|---------------------|-------------------|------------------|
| 3-Prong Edison Plug | | P=White |
| BPT-P15F | 9AD-A (120 Volts) | MB=Matte Black |
| Twist Lock | | ST=Silver Tone |
| BPT-T15F | 9AD-A (120 Volts) | CP=Custom Finish |
| BPT-T20F | | |

| NEMA Guide | 120 volt | 277 volt |
|------------|----------|----------|
| BPT-P15F | 5-15R | |
| BPT-T15F | L5-15R | L7-15R |
| BPT-T20F | L5-20R | L7-20R |

PowerDown Breaker*



| Code/Amperage | Adaptor / Voltage | Finish |
|---------------|-------------------|------------------|
| BPT-K15B | 9AD (120 Volts) | P=White |
| BPT-K20B | | MB=Matte Black |
| BPT-K30B | | ST=Silver Tone |
| | | CP=Custom Finish |

Includes knockouts

* Includes 11" Safety Cable



251 Elm Street, Buffalo, NY 14203 USA
800-238-4120 | www.litelab.com

