

# BUS-08W

Surface-Mounted



Project Name

Type

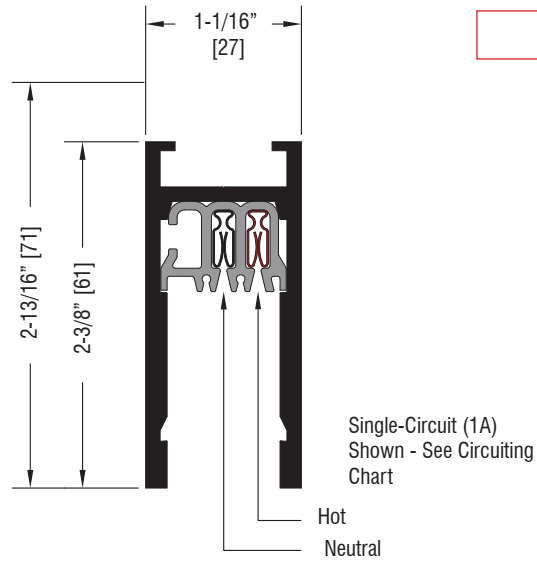
Feed Code	Profile / Mounting	Vinyl / Voltage	Vinyl / Voltage	Amperage	Total Length of Straight Run (in.)*	Finish	Whip (ft.)
BUS	CEC	1A	n/a	16A	1A	White	P
CCF	EEC	2A		20A	1.5A	Matte Black	MB
CEF	SEC	6A		30A	2A	Brushed	NT
EEB	TEC	3D		60A	3A	Unfinished	UF
EEF		2D			4A	Custom	CP
SEF		6D			5A		
TCB		3C			6A		
TCF		4B			8A		
TEB		4K			12A		
TEF							

Finish Code



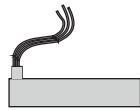
## Circuiting Chart

<b>1A</b> 1 circ. (120V) 1-hot, 1-neutral 	<b>2A</b> 2 circ. (120V) 2-hot, 1-neutral 	<b>3D</b> 1 circ. (230V) 1-hot, 1-neutral 
<b>2D</b> 2 circ. (240V) 2-hot, 1-neutral 	<b>3C</b> 1 circ. (277V) 1-hot, 1-neutral 	<b>4B (Consult Factory)</b> 1 circ. (Low Voltage) 1-hot, 1-neutral 
<b>4K (Consult Factory)</b> 1 circ. (Low Voltage) International 1-hot, 1-neutral 	<b>6A</b> 1 circ. (120V) 2-hot, 1-neutral tied hot 	<b>6D</b> 1 circ. (230V) 2-hot, 1-neutral tied hot 

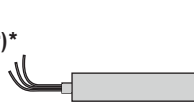


**Feed Options:** Standard BusRun feed capacity is 20 Amps (120v) or 16 Amps (230 Volt); 30 and 60 Amp feeds are available

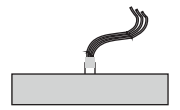
**TEF-08W**  
**TEC-08W (Current Limiter)\***  
 Top End Feed  
 1/2" NPSM or 20mm Conduit



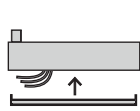
**EEF-08W**  
**EEC-08W (Current Limiter)\***  
 End End Feed  
 1/2" NPSM or 20mm Conduit



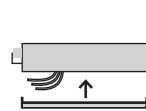
**TCF-08W**  
 Top Center Feed  
 1/2" NPSM or 20mm Conduit



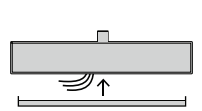
**TEB-08W**  
 Top End Splice-Box  
 30 Amp Max



**EEB-08W**  
 End End Splice-Box  
 30 Amp Max



**TCB-08W**  
 Top Center Splice Box  
 30 Amp Max



**\*CL: Current Limiter Values (120v Only)**

1A	120VA	5A	600VA
1.5A	180VA	6A	720VA
2A	240VA	8A	960VA
3A	360VA	12A	1440VA
4A	480VA		

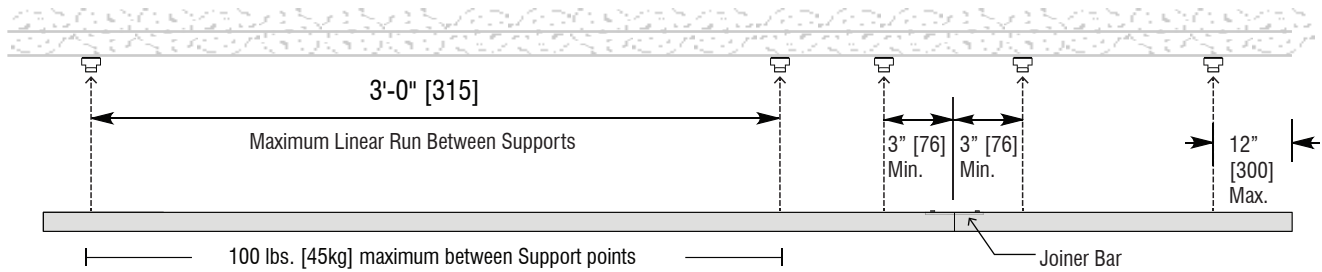
# BUS-08W

Surface-Mounted

Project Name

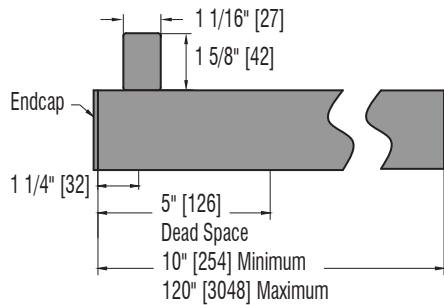
Type

## Mounting Diagram

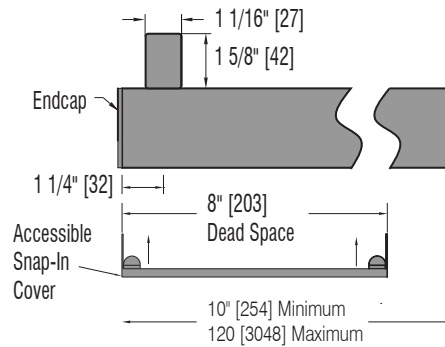


## Dimension Chart

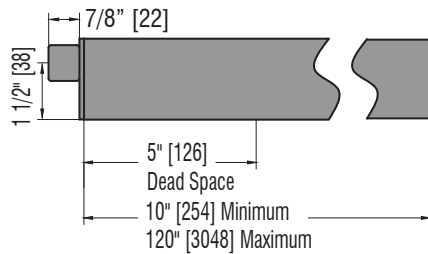
### Top End Feed



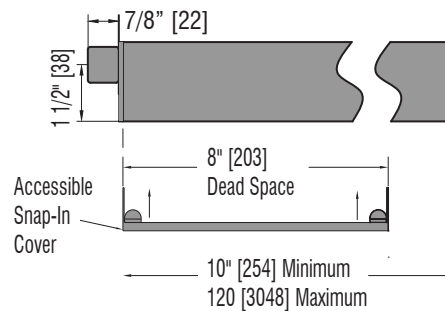
### Top End Splice-Box Feed



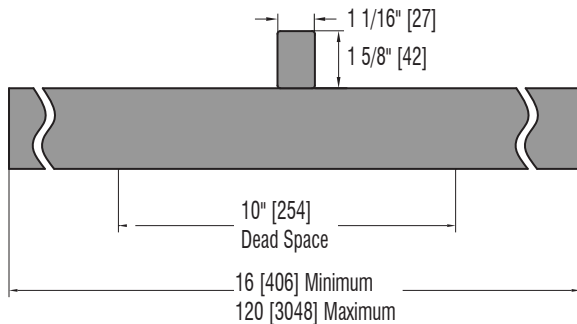
### End End Feed



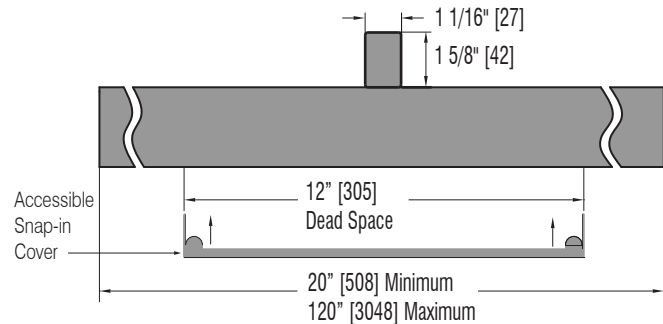
### End End Splice-Box Feed



### Top Center Feed



### Top Center Splice-Box Feed



# BUS-08W

Surface-Mounted

Project Name

Type

## Mounting Rules

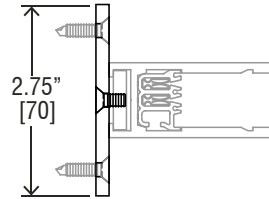
## Mounting Options

12" [300]  
A support point must be provided within 12" of every end or corner of the BusRun layout.

3'0" [915]  
Maximum distance between support points cannot exceed 3'0" linear feet of surface BusRun Busway.

3" [76]  
Support points cannot be within 3" from the centerline on both sides of BusRun joints.

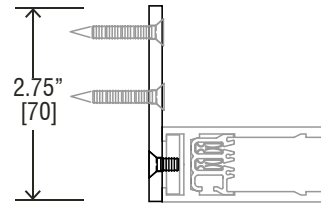
100lbs (45kg)  
BusRun Busway and mounting hardware are rated for a total supported weight up to 100lbs (45kg) between support points.



### Wall Mount Bar

Aluminum bracket attaches to BusRun top channel 7/8" x 2.75" [23x70] Maximum spacing 3'-0" [915].

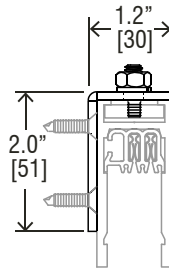
40130 – for One Channel Bus



### Horizontal Wall Mount Bar

Aluminum bracket attaches to BusRun top channel 7/8" x 2.75" [23x70] Maximum spacing 3'-0" [915]. (Optional, ordered separately)

40133-01 for One Channel Bus



### L-Bracket

Aluminum bracket attaches to top of BusRun channel for mounting to soffit or beam 1-3/16" x 2.0" [30x51] Maximum spacing 3'-0" [915].

64652-KIT – for One Channel Bus