

BUS-08H

Hanging



Project Name

Type

Project Name:

Type:

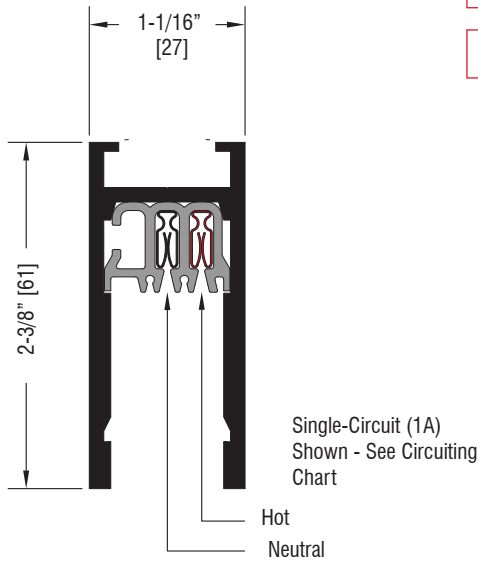
-08H XX

Feed Code	Profile / Mounting	Vinyl / Voltage	Vinyl / Voltage	Amperage	Total Length of Straight Run (in.)*	Finish	Distance (in.)
BUS	AEC	1A	N/A	16A	1A	White	P Pendant 18"
ACF	MEC	2A		20A	1.5A	Matte Black	MB F.C.
AEF	PEC	6A		30A	2A	Brushed	NT Pendant 24"
EEB	TEC	3D		60A	3A	Unfinished	UF 48"
EEF		2D			4A	Custom	CP Cable 60"
MCF		6D			5A		120"
MEF		3C			6A		180"
PCF		4B			8A		
PEF		4K			12A		
TCB							
TCF							
TEB							
TEF							

Finish Code

Circuiting Chart

<p>1A</p> <p>1 circ. (120V) 1-hot, 1-neutral</p>	<p>2A</p> <p>2 circ. (120V) 2-hot, 1-neutral</p>	<p>3D</p> <p>1 circ. (230V) 1-hot, 1-neutral</p>
<p>2D</p> <p>2 circ. (240V) 2-hot, 1-neutral</p>	<p>3C</p> <p>1 circ. (277V) 1-hot, 1-neutral</p>	<p>4B (Consult Factory)</p> <p>1 circ. (Low Voltage) 1-hot, 1-neutral</p>
<p>4K (Consult Factory)</p> <p>1 circ. (Low Voltage) International 1-hot, 1-neutral</p>	<p>6A</p> <p>1 circ. (120V) 2-hot, 1-neutral tied hots</p>	<p>6D</p> <p>1 circ. (230V) 2-hot, 1-neutral tied hots</p>



Feed Options: Standard BusRun feed capacity is 20 Amps (120v) or 16 Amps (230 Volt); 30 and 60 Amp feeds are available

<p>TEF-08H TEC-08H ((Current Limiter)*)</p> <p>Top End Feed 1/2" NPSM or 20mm Conduit</p>	<p>TCF-08H</p> <p>Top Center Feed 1/2" NPSM or 20mm Conduit</p>	<p>EEF-08H EEC-08H (Current Limiter)*</p> <p>End End Feed 1/2" NPSM or 20mm Conduit</p>
<p>TEB-08H</p> <p>Top End Splice-Box 30 Amp Max</p>	<p>TCB-08H</p> <p>Top Center Splice Box 30 Amp Max</p>	<p>EEB-08H</p> <p>End End Splice-Box 30 Amp Max</p>
<p>AEF-08H AEC-08H (CL)</p> <p>Top End Feed: Cable Style 5.0" dia canopy</p>	<p>ACF-08H</p> <p>Top Center Feed: Cable Style 5.0" dia canopy</p>	<p>PEF-08H PEC-08H (CL)</p> <p>Pendant End Feed: 6.75" dia canopy 1/2" NPSM pendant</p>
<p>MEF-08H MEC-08H (CL)</p> <p>Field Cuttable Pendant End Feed: 5.0" dia canopy 1/2" pendant</p>	<p>MCF-08H</p> <p>Field Cuttable Pendant Center Feed: 5.0" dia canopy 1/2" pendant</p>	<p>PCF-08H</p> <p>Pendant Center Feed: 6.75" dia canopy 1/2" NPSM pendant</p>

BUS-08H

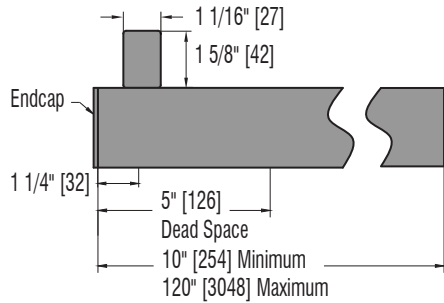
Hanging

Project Name

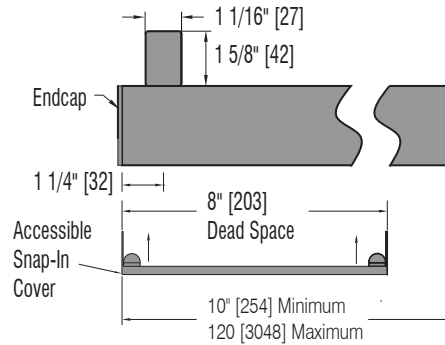
Type

Dimension Chart

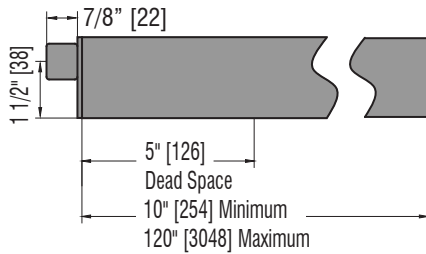
Top End Feed



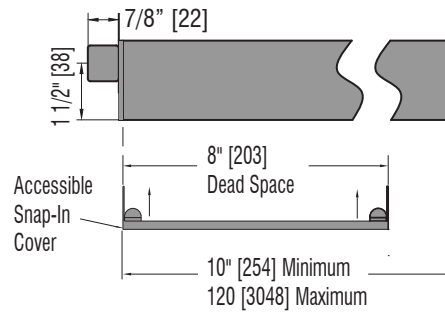
Top End Splice-Box Feed



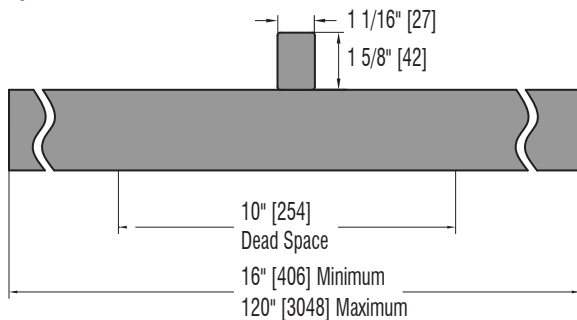
End End Feed



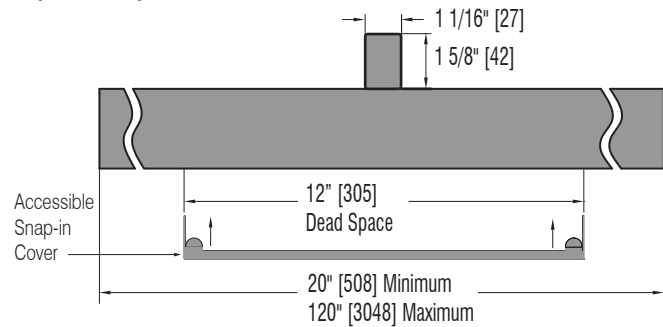
End End Splice-Box Feed



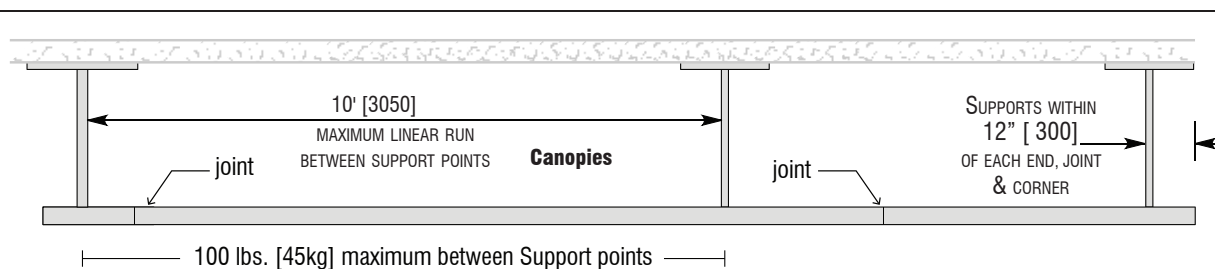
Top Center Feed



Top Center Splice-Box Feed



Mounting Diagram



BUS-08H

Hanging

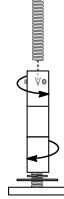
Project Name

Type

Mounting Rules

- 12" [300] A hang-point must be provided within 12" of every end or corner of the BusRun layout.
- 10'-0" [3050] Maximum distance between hang-points cannot exceed 10'-0" linear feet of Hanging BusRun Busway.
- 14" [350] Support points cannot be within 7" from the centerline on both sides of sleeved joints.
- 100lb (45kg) BusRun Busway and mounting hardware are rated for a total supported weight up to 100lbs (45kg) between Support points.

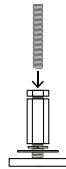
Hanging Options



Threaded Rod Hanger

Nickel-plated counter-rotating threaded rod hanger and mounting bar enable attachment and leveling of BusRun to fixed threaded rod.

- B-HH0-TR250 for 1/4-20 rod
- B-HH0-TR375 for 3/8-16 rod



Coupling Nut for threaded rod

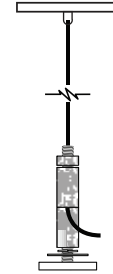
- B-HH0-CK-M6 for M6 rod



LevelGlide™ Gripper cable with closed eyeloop

Cable with thimble, crimped loop at top, self-locking gripper and mounting bar at bottom, provide instant and precise height adjustability.

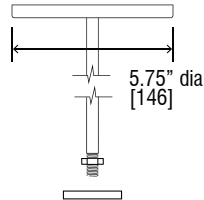
- B-HC0-060 5' [1524]
- B-HC0-120 10' [3048]
- B-HC0-180 15' [4572]



Canopy LevelGlide™ Gripper, cable, and canopy

Cable with swivel coupler at top, self-locking gripper and mounting bar at bottom, provide instant and precise height adjustability. 5" dia canopy mounts to ceiling.

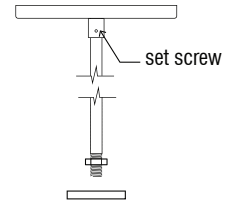
- B-HC0-060-C 5' [1524]
- B-HC0-120-C 10' [3048]
- B-HC0-180-C 15' [4572]



Support Pendant

5.75' canopy, stem and hex nut. Mounting bar supplied. Provides 18" height between bottom of Bus and ceiling.

- B-HPOD-18 18" [457]



Field Cutable Support Pendant

5.0' canopy, stem and hex nut. Mounting bar supplied. Stem is field cutable and secured with set screw at canopy.

- B-HPO-24-FC 2' [600]
- B-HPO-48-FC 4' [1200]

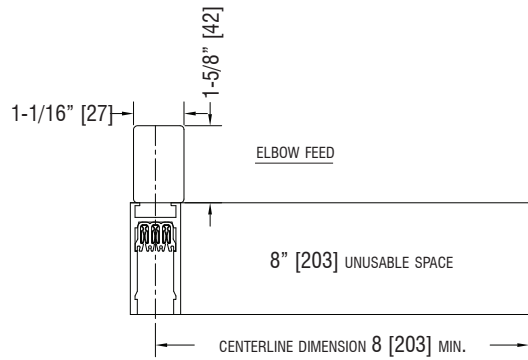
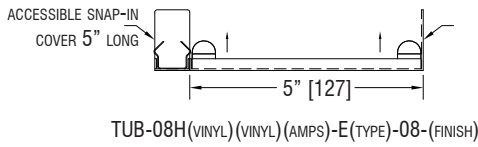
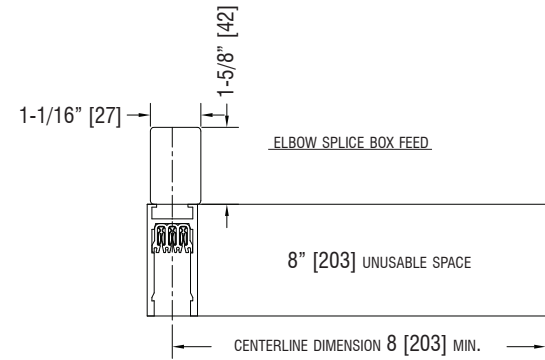
BUS-08H

X, T, L Configurations

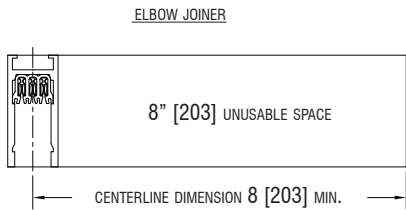
Project Name

Type

L-Dimensions (Typical):



TUF-08H(VINYL)(VINYL)(AMPS)-E(TYPE)-08-(FINISH)



BUS-08H(VINYL)(VINYL)(AMPS)-E(TYPE)-08-(FINISH)

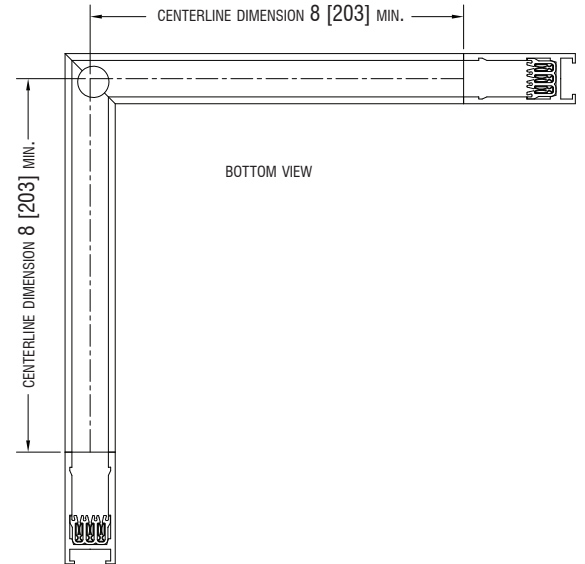
MAXIMUM UNIT LENGTH IS 10' [3048] UNINTERRUPTED SPAN. SPLICE KITS TO ADJACENT SECTIONS OCCUPY 4" [102] FOR 16, 20 AND 30 AMP CAPACITY AND 6" FOR 60 AMP CAPACITY. WHEN CALCULATING PLUG-IN SPACE:

$$(TOTAL LENGTH OF SECTION) - (FEED) - (SPLICE KIT/2) = TOTAL AVAILABLE PLUG-IN SPACE$$

FOR FITTER LENGTHS, PLEASE SEE FIXTURE CUTSHEETS.

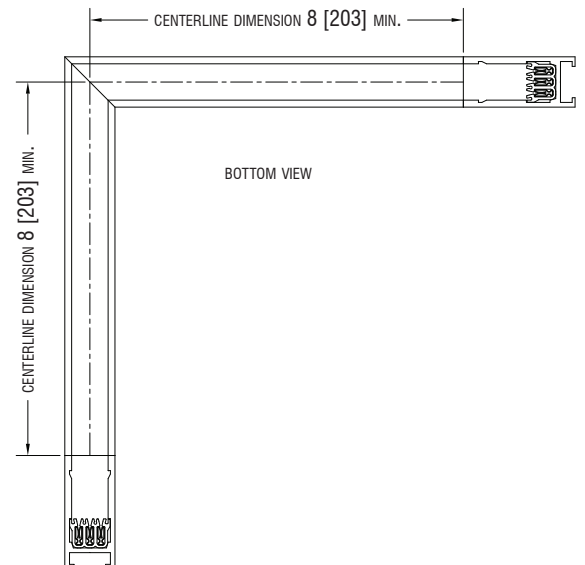
REFLECTED CEILING PLAN VIEW:

ELBOW SPLICE BOX FEED
ELBOW FEED



REFLECTED CEILING PLAN VIEW:

JOINER



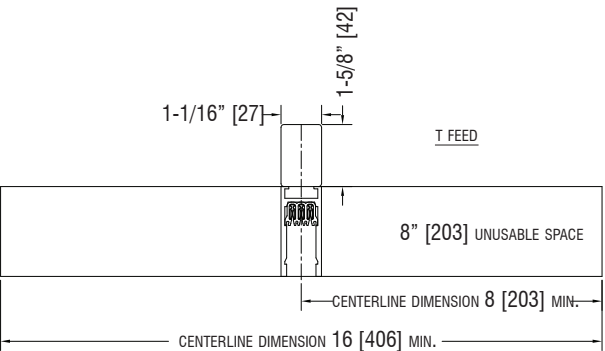
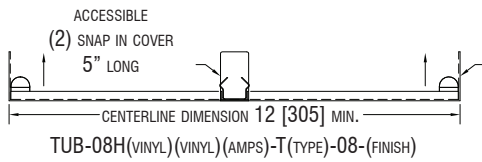
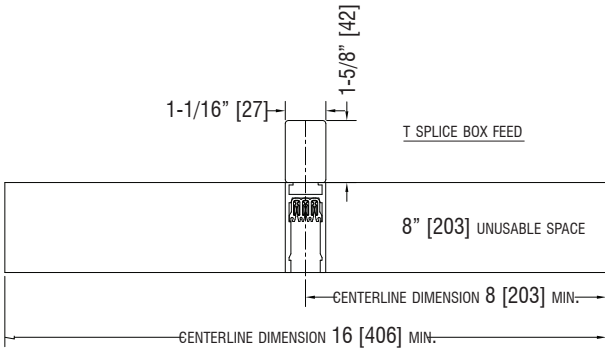
BUS-08H

X, T, L Configurations

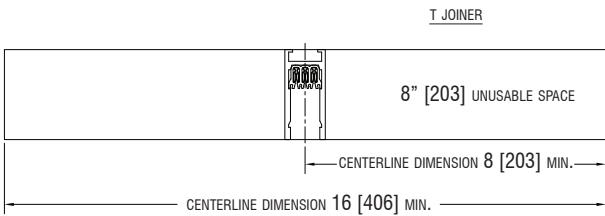
Project Name

Type

T-Dimensions (Typical):



TUF-08H(VINYL)(VINYL)(AMPS)-T(TYPE)-08-(FINISH)



TUF-08H(VINYL)(VINYL)(AMPS)-T(TYPE)-08-(FINISH)

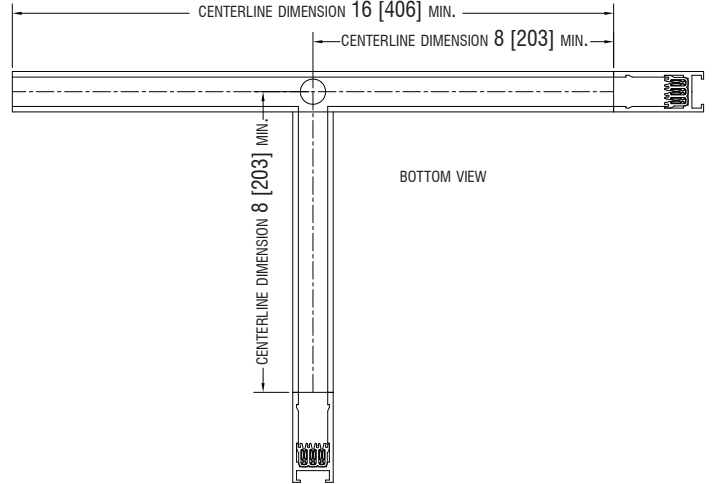
MAXIMUM UNIT LENGTH IS 10' [3048] UNINTERRUPTED SPAN. SPLICE KITS TO ADJACENT SECTIONS OCCUPY 4" [102] FOR 16, 20 AND 30 AMP CAPACITY AND 6" FOR 60 AMP CAPACITY. WHEN CALCULATING PLUG-IN SPACE:

$$(TOTAL LENGTH OF SECTION) - (FEED) - (SPLICE KIT/2) = TOTAL AVAILABLE PLUG-IN SPACE$$

FOR FITTER LENGTHS, PLEASE SEE FIXTURE CUTSHEETS.

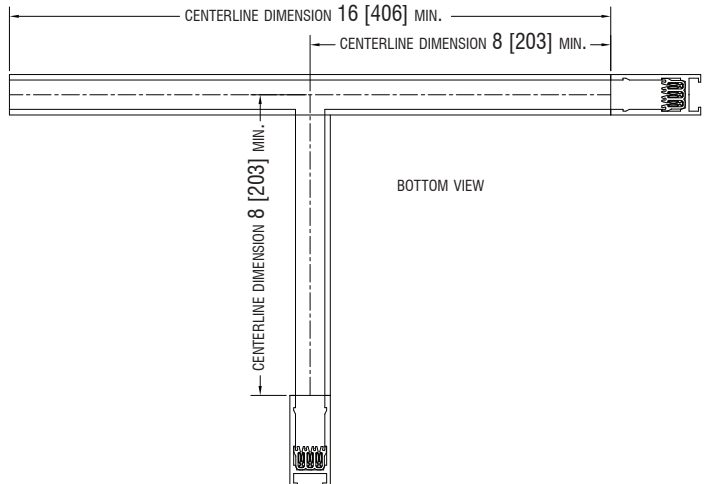
REFLECTED CEILING PLAN VIEW:

ELBOW SPLICE BOX FEED
ELBOW FEED



REFLECTED CEILING PLAN VIEW:

JOINER



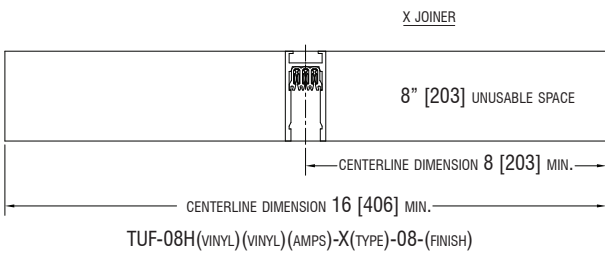
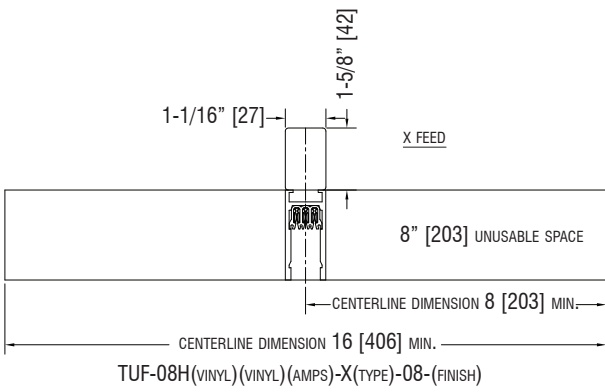
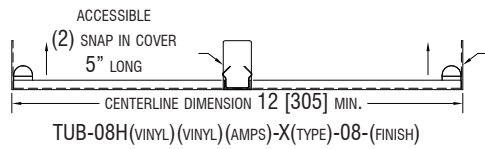
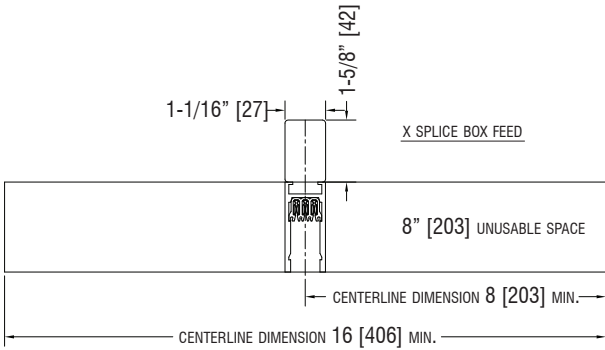
BUS-08H

X, T, L Configurations

Project Name

Type

X-Dimensions (Typical):



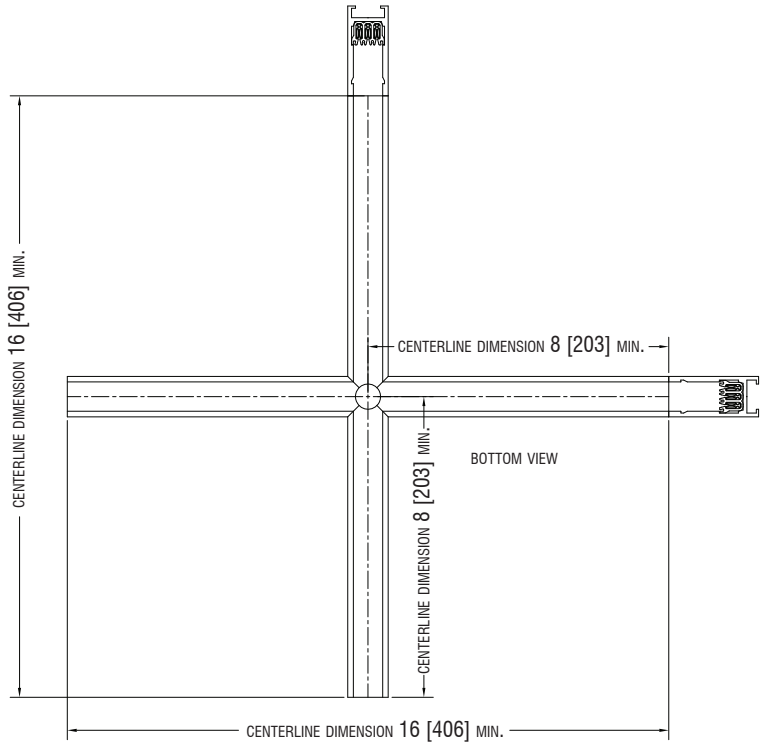
MAXIMUM UNIT LENGTH IS 10' [3048] UNINTERRUPTED SPAN. SPLICE KITS TO ADJACENT SECTIONS OCCUPY 4" [102] FOR 16, 20 AND 30 AMP CAPACITY AND 6" FOR 60 AMP CAPACITY. WHEN CALCULATING PLUG-IN SPACE:

$$(TOTAL LENGTH OF SECTION) - (FEED) - (SPLICE KIT/2) = TOTAL AVAILABLE PLUG-IN SPACE$$

FOR FITTER LENGTHS, PLEASE SEE FIXTURE CUTSHEETS.

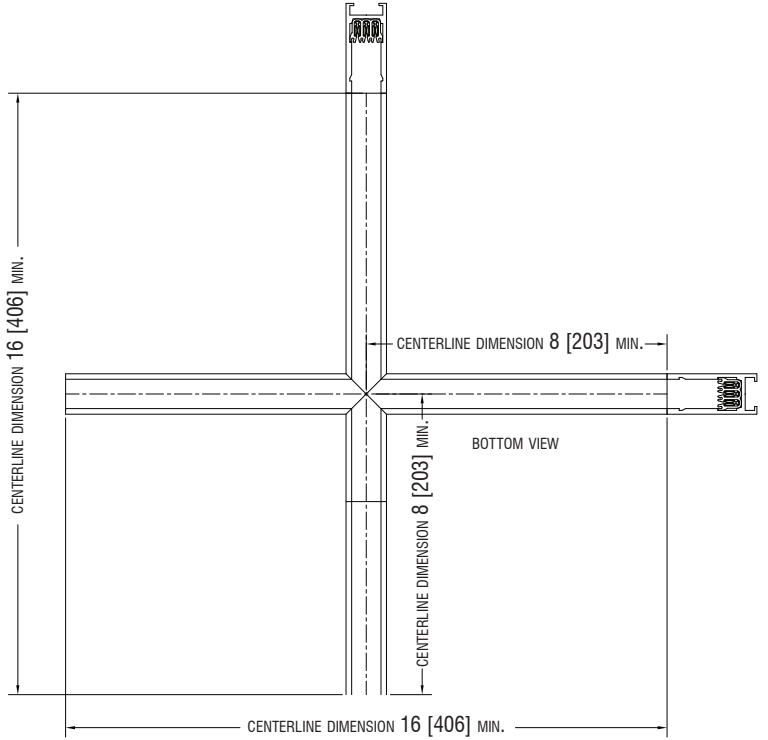
REFLECTED CEILING PLAN VIEW:

ELBOW SPLICE BOX FEED
ELBOW FEED



REFLECTED CEILING PLAN VIEW:

JOINER



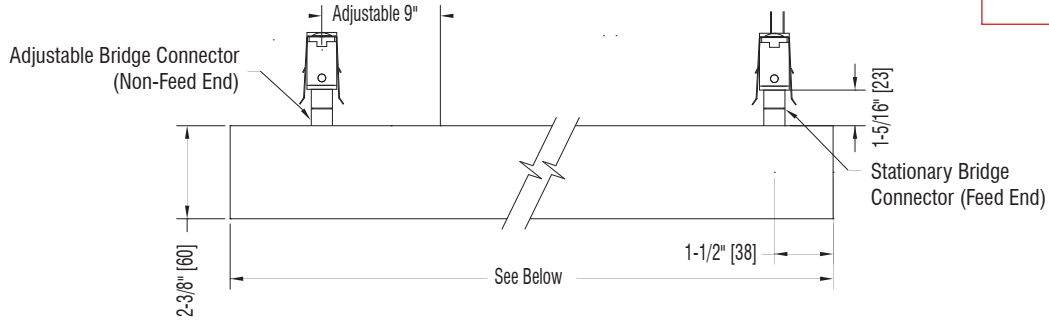
BUS-08H

Accessories

Project Name

Type

BusBridge

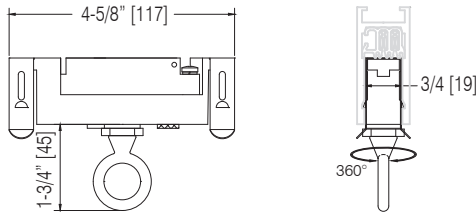


Maximum Load: 40 lbs

Codes	Adaptor/Voltage	Finish
BB1D-054 3'9" [Min. Span] 4'3" [Max. Span] 4'6" [Total Length]	9AD-A (120 Volts)	P=White
BB1D-102 7'9" [Min. Span] 8'3" [Max. Span] 8'6" [Total Length]	9AD-D (240 Volts)	MB = Matte Black
BB1D-120 9'0" [Min. Span] 9'9" [Max. Span] 10'0" [Total Length]	9AD-C (277 Volts)	NT = Brushed UF = Unfinished ST = Silver Tone

Example: BB1D-102-9AD-A-MB

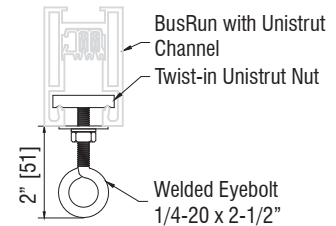
Sign Hanger*



Supports 40lb (18kg) Maximum Static Vertical Load

Code	Adaptor	Finish
BSH	9ED	P=White MB = Matte Black ST = Silver Tone R = Unfinished

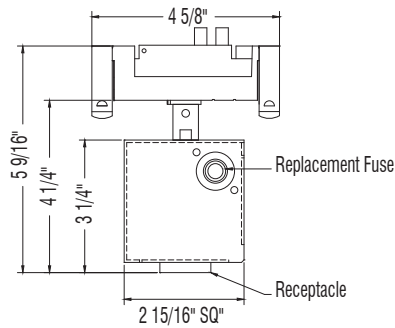
Loadmatic Hanging



Supports up to 100lb [45kg] Maximum Static Vertical Load

Code	Finish
BSH-UNI	P=White MB = Matte Black R = Unfinished

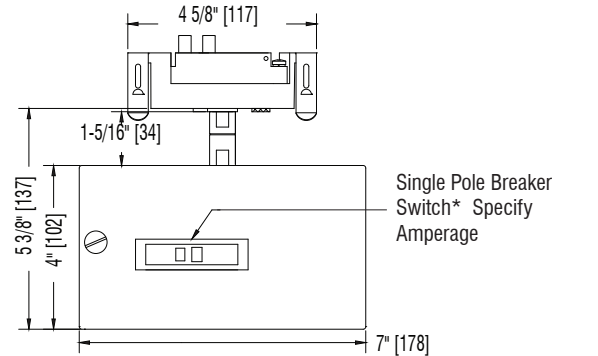
PowerDown Box*



Code/Amperage	Adaptor / Voltage	Finish
3-Prong Edison Plug		P=White
BPT-P15F	9AD-A (120 Volts)	MB=Matte Black
Twist Lock		ST=Silver Tone
BPT-T15F	9AD-A (120 Volts)	CP=Custom Finish
BPT-T20F		

NEMA Guide	120 volt	277 volt
BPT-P15F	5-15R	
BPT-T15F	L5-15R	L7-15R
BPT-T20F	L5-20R	L7-20R

PowerDown Breaker*



Code / Amperage	Finish
BPT-K15B	P=White
BPT-K20B	MB=Matte Black
BPT-K30B	ST=Silver Tone
	CP=Custom Finish

Includes knockouts

* Includes 11" Safety Cable



251 Elm Street, Buffalo, NY 14203 USA
800-238-4120 | www.litelab.com



06.10.2019