

ALS-H10

Architectural Light Slot

Project Name

Type



Features & Benefits:

- Compatible with a vast array of Linear LED offerings
- Field adjustable hanger brackets
- HVAC Supply and Return compatible
- Available for most contemporary ceiling systems

(Consult Factory for Custom Ceilings and Applications)

Compatible with:

- S3Z - 10°-30° Zoom
- S3W - Wallwash
- S30 - Fixed Focus 10°, 22° & 33°
- S3S - 6° Very Narrow Spot

For fixture specifications, visit www.litelab.com

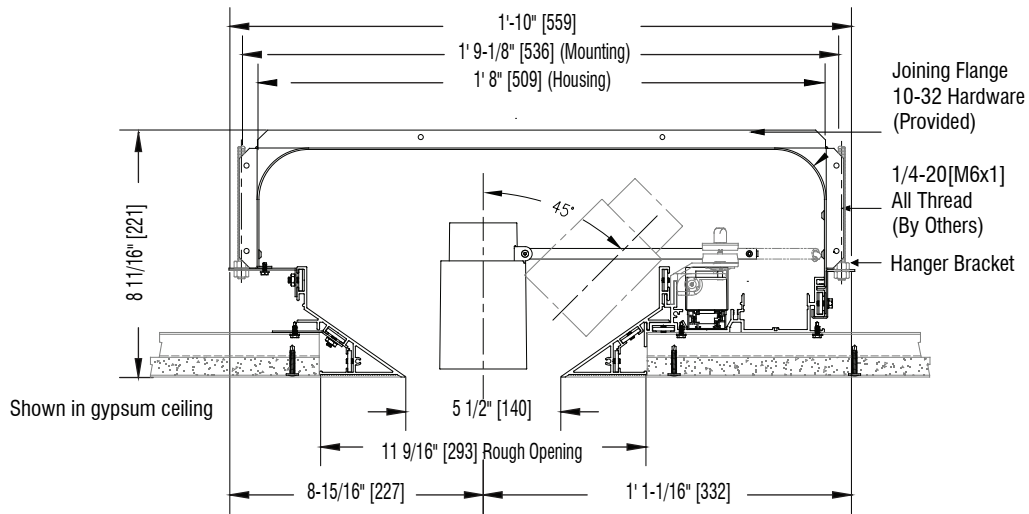
Compatible with Linear LED Backlighting as specified.

ALS - H10 - - - - - -

System	Housing	*Length (in Inches)	Voltage	Dimming Protocol	Ceiling Condition	Finish
Backbox by Litelab	H10	* Length refers to the visual opening, not to total system length. See page 4 for backbox length.	120 Volts	A ELV	E Gypsum	GP White P
Backbox by Others	H10K		240 Volts	D 0-10v	Z Wood	WD Matte Black MB
			277 Volts	C DMX DALI Lutron	M Stone D Metal Pan L Accoustic	ST Custom CP AC

Linear LED Specification

Ceiling Thickness Finish Code



Modular Slot Components - Gypsum | Backbox by Litelab

Part Number	Description
ALS-12-H10-TL-P	12" [305mm] Visual Opening - Gypsum Unit
ALS-24-H10-TL-P	24" [610mm] Visual Opening - Gypsum Unit
ALS-36-H10-TL-P	36" [914mm] Visual Opening - Gypsum Unit
ALS-48-H10-TL-P	48" [1219mm] Visual Opening - Gypsum Unit
ALS-72-H10-TL-P	72" [1829mm] Visual Opening - Gypsum Unit

Part Number	Description
ALS-ECL-H10-TL-P	6" [152mm] Visual Opening - Gypsum End Cap Left
ALS-ECR-H10-TL-P	6" [152mm] Visual Opening - Gypsum End Cap Right
ALS-EFL-H10-TL-P	6" [152mm] Visual Opening - Gypsum End Feed Left
ALS-EFR-H10-TL-P	6" [152mm] Visual Opening - Gypsum End Feed Right
ALS-CR-H10-TL-P	20" x 20" [508mm x 508mm] Visual Opening - Gypsum Corner



251 Elm Street, Buffalo, NY 14203 USA
800-238-4120 | www.litelab.com

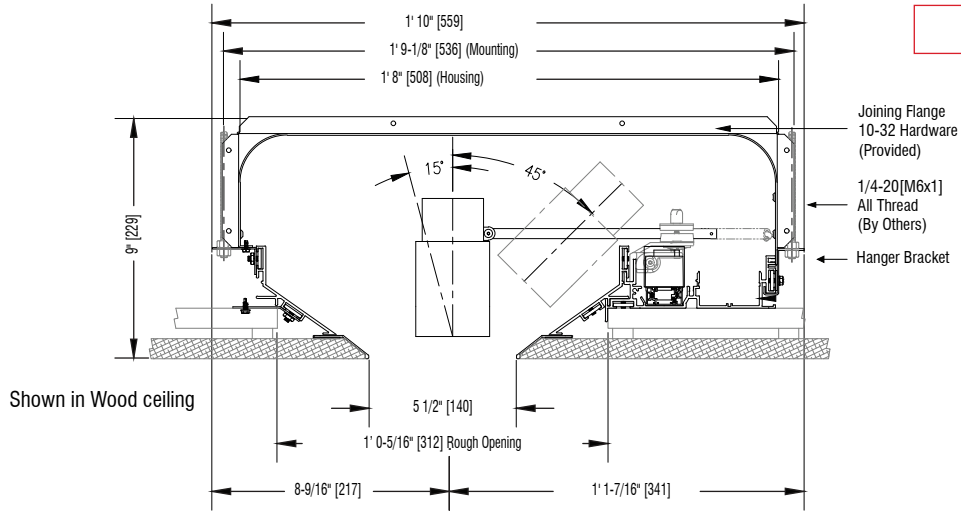


ALS-H10

Architectural Light Slot

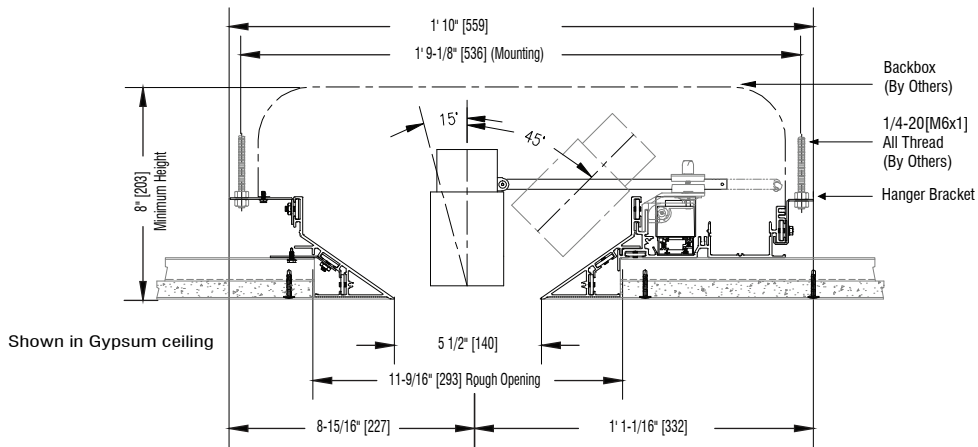
Project Name

Type



Modular Slot Components - Wood | Backbox by Litelab

Part Number	Description	Part Number	Description
ALS-12-H10-TR-MB	12" [305mm] Visual Opening - Wood/Metal/Stone/Accoustic Unit	ALS-ECL-H10-TR-MB	6" [152mm] Visual Opening - Wood/Metal/Stone/Accoustic End Cap Left
ALS-24-H10-TR-MB	24" [610mm] Visual Opening - Wood/Metal/Stone/Accoustic Unit	ALS-ECR-H10-TR-MB	6" [152mm] Visual Opening - Wood/Metal/Stone/Accoustic End Cap Right
ALS-36-H10-TR-MB	36" [914mm] Visual Opening - Wood/Metal/Stone/Accoustic Unit	ALS-EFL-H10-TR-MB	6" [152mm] Visual Opening - Wood/Metal/Stone/Accoustic End Feed Left
ALS-48-H10-TR-MB	48" [1219mm] Visual Opening - Wood/Metal/Stone/Accoustic Unit	ALS-EFR-H10-TR-MB	6" [152mm] Visual Opening - Wood/Metal/Stone/Accoustic End Feed Right
ALS-72-H10-TR-MB	72" [1829mm] Visual Opening - Wood/Metal/Stone/Accoustic Unit	ALS-CR-H10-TR-MB	20" x 20" [508mm x 508mm] Visual Opening - Wood/Metal/Stone/Accoustic Corner



Modular Slot Components - Gypsum | Backbox by Others

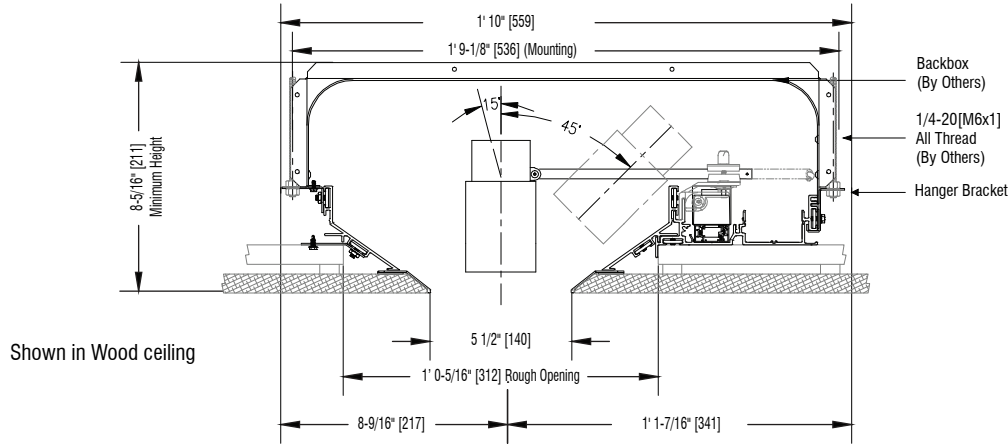
Part Number	Description	Part Number	Description
ALS-12-H10K-TL-P	12" [305mm] Visual Opening - Gypsum Unit	ALS-ECL-H10K-TL-P	6" [152mm] Visual Opening - Gypsum End Cap Left
ALS-24-H10K-TL-P	24" [610mm] Visual Opening - Gypsum Unit	ALS-ECR-H10K-TL-P	6" [152mm] Visual Opening - Gypsum End Cap Right
ALS-36-H10K-TL-P	36" [914mm] Visual Opening - Gypsum Unit	ALS-EFL-H10K-TL-P	6" [152mm] Visual Opening - Gypsum End Feed Left
ALS-48-H10K-TL-P	48" [1219mm] Visual Opening - Gypsum Unit	ALS-EFR-H10K-TL-P	6" [152mm] Visual Opening - Gypsum End Feed Right
ALS-72-H10K-TL-P	72" [1829mm] Visual Opening - Gypsum Unit	ALS-CR-H10K-TL-P	20" x 20" [508mm x 508mm] Visual Opening - Gypsum Corner

ALS-H10

Architectural Light Slot

Project Name

Type



Modular Slot Components - Wood | Backbox by Others

Part Number	Description	Part Number	Description
ALS-12-H10K-TR-MB	12" [305mm] Visual Opening - Wood/Metal/Stone/Accoustic Unit	ALS-ECL-H10K-TR-MB	6" [152mm] Visual Opening - Wood/Metal/Stone/Accoustic End Cap Left
ALS-24-H10K-TR-MB	24" [610mm] Visual Opening - Wood/Metal/Stone/Accoustic Unit	ALS-ECR-H10K-TR-MB	6" [152mm] Visual Opening - Wood/Metal/Stone/Accoustic End Cap Right
ALS-36-H10K-TR-MB	36" [914mm] Visual Opening - Wood/Metal/Stone/Accoustic Unit	ALS-EFL-H10K-TR-MB	6" [152mm] Visual Opening - Wood/Metal/Stone/Accoustic End Feed Left
ALS-48-H10K-TR-MB	48" [1219mm] Visual Opening - Wood/Metal/Stone/Accoustic Unit	ALS-EFR-H10K-TR-MB	6" [152mm] Visual Opening - Wood/Metal/Stone/Accoustic End Feed Right
ALS-72-H10K-TR-MB	72" [1829mm] Visual Opening - Wood/Metal/Stone/Accoustic Unit	ALS-CR-H10K-TR-MB	20" x 20" [508mm x 508mm] Visual Opening - Wood/Metal/Stone/Accoustic Corner

Power Distribution / Dimming Controls - All Configurations

Power Distribution | ELV / Reverse Phase Dimming

BT-156-P/MB	120 Volt Basic Track Feed - One Feed/Side
BT-104-P/MB	120 Volt Basic Track Joiner - 4'
BT-108-P/MB	120 Volt Basic Track Joiner - 8'
BT-111-P/MB	120 Volt Basic Track Straight Connector
BT-112-P/MB	120 Volt Basic Track L-Connector
BT-126-P/MB	120 Volt Basic Track Flexible Connector

Power Distribution - 2-Circuit / 120v | 0-10v / DMX / DALI / Lutron

9001/W-2C	120 Volt Stucchi Feed w/ DataBus - One Feed/Side
9000-UL4/W-ST2-120	120 Volt Stucchi Joiner - 4'
9000-UL8/W-ST2-120	120 Volt Stucchi Joiner - 8'
9003/W	120 Volt Stucchi Straight Connector
9018/W-2C	120 Volt Stucchi Flex Connector
S-9001/SU-W	120 Volt Stucchi Endcap

Power Distribution - 3-Circuit / 240v | 0-10v / DMX / DALI / Lutron

9001/W-3C	240 Volt Stucchi Feed w/ DataBus - One Feed/Side
9000A-1/W-ST	240 Volt Stucchi Joiner - 1m
9000A-2/W-ST	240 Volt Stucchi Joiner - 2m
9000A-3/W-ST	240 Volt Stucchi Joiner - 3m
9003/W-3C	240 Volt Stucchi Straight Connector
9018/W-3C	240 Volt Stucchi Flex Connector
9004/W	240 Volt Stucchi Endcap

Power Distribution - 2-Circuit / 277v | 0-10v / DMX / DALI / Lutron

9001/W-2C-277	277 Volt Stucchi Feed w/ DataBus - One Feed/Side
9000-UL4/W-ST3-277	277 Volt Stucchi Joiner - 4'
9000-UL8/W-ST3-277	277 Volt Stucchi Joiner - 8'
9003/W	277 Volt Stucchi Straight Connector
9018/W-2C-277	277 Volt Stucchi Flex Connector
S-9004/W	277 Volt Stucchi Endcap

ALS-H10

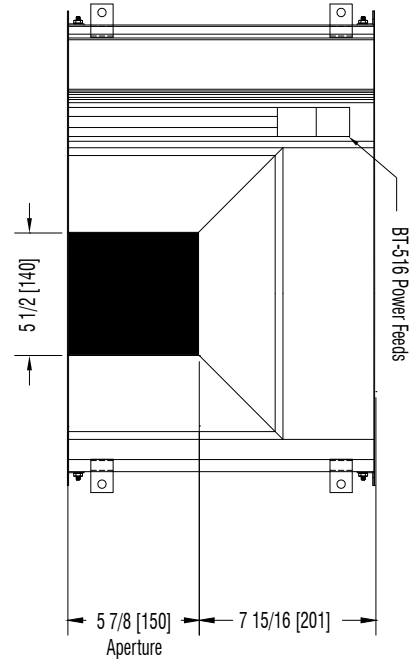
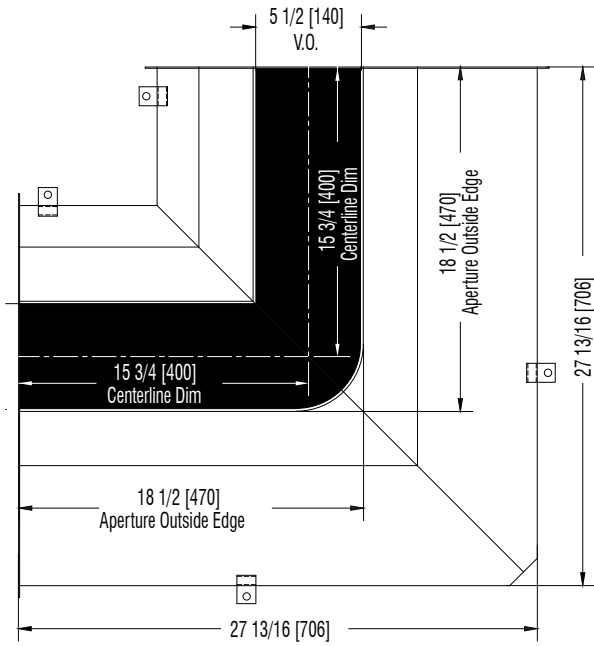
Architectural Light Slot

Project Name

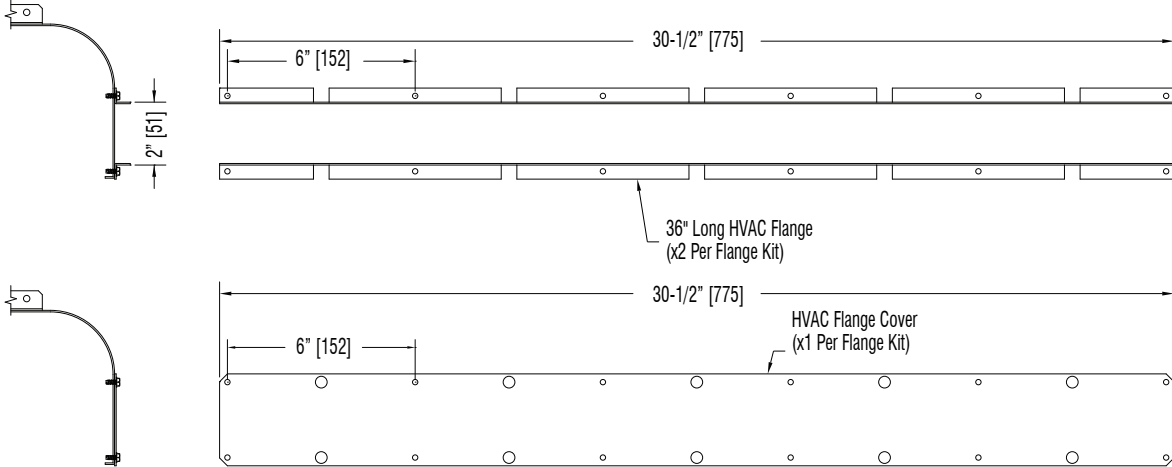
Type

Corner Unit: ALS-H10-CR

Endcap: ALS-H10-ECR/ECL



HVAC Flange Kit



FLANGE KIT QUANTITY		
TYPE#	LENGTH	QTY
-12	200mm [7-7/8"]	2
-24	500mm [1'7-11/16"]	2
-36	1000mm [3'3-3/8"]	2
-48	2000mm [6'6-3/4"]	4
End Cap	150mm [6"]	2

