

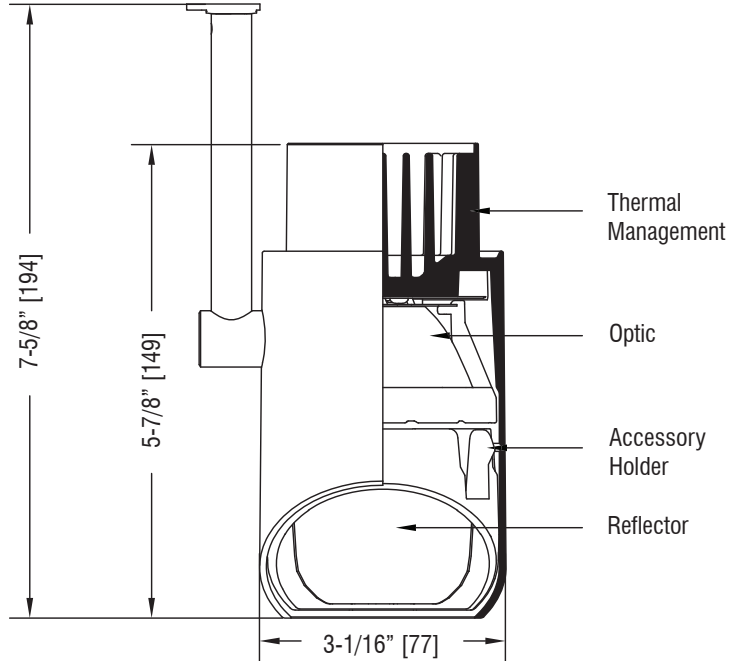
A3W

Xicato
Static White
Wallwasher



Project Name

Type



Input Requirements

2000 Lumens	120VAC/0.3A/27W
	240VAC/0.2A/30W
	277VAC/0.1A/31W
1400 Lumens	120VAC/0.2A/18W
	240 VAC/0.1A/19W
	277 VAC/0.1A/19W

Enter Catalog Number Sequentially from Left to Right

A3W - - -

Model	Lumens/CRI	CCT	Adaptor	Dimming	Level	Options	Voltage	Finish
A3W	L20 2000/95	27 2700	9TC BusRun Clipless	E	ELV 1	P* Potentiometer	A 120	P White
	L14 1400/95	30 3000	9TD BusRun Deep			R** Rotation Lock	D 240	MB Black
		35 3500	9TS BusRun Shallow			SP* Switch w/ Potentiometer	F* 240	BR Brushed
		40 4000				SR** Switch w/ Rotation Lock	C 277	CP Custom
			9HC BusRun Clipless w/ Driverbox	E	ELV 0			
			9HD BusRun Deep w/ Driverbox	W	Wire- less	C Casambi A Avi-On Z Zigbee T Athena RF		
			9HS BusRun Shallow w/ Driverbox					
			ST2 2-Circuit Stucchi	E	ELV 0			
			ST3 3-Circuit Stucchi	Z	0-10 1			
			3L 5" Canopy	M	DMX D			
			5L 3.5" QC Canopy	D	DALI			
			7L 2" QC Canopy (Remote Driver Only)					

* Potentiometers are available on ELV dimmable or non-dimming circuits only.

** Rotation Lock and type "F" voltage are exclusive to 9T fitters. Rotation Lock is not available with Potentiometer.

ENTER RAL OR OTHER FINISH CODE

Flush Fit BusRun Adaptor

Litelab's flush fit BusRun adaptor recesses entirely inside BusRun to provide a clean aesthetic. It is available with a Switch and Rotation Lock or On-Board Potentiometer for individual fixture dimming. BusRun fitters are available dimmable to 1% and can be dimmed proportionally using an ELV dimming system.

Dimming Note

This fixture is provided with LED Drivers suitable for the dimming protocol specified. Dimming performance may vary based on dimmer model or system being used. If exact dimming performance is required, Litelab recommends testing the Litelab fixture with the specified dimmer.

Accessories: See Page 5

- OL-DF-g Beam Softening Film
- OL-TD-g Beam Softening Lens
- OL-30x60-g Universal Spread Lens (Included)

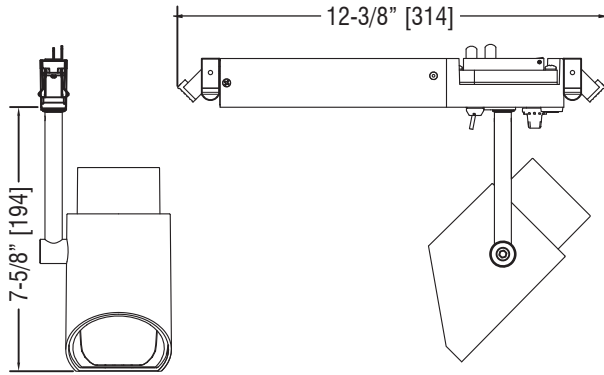


251 Elm Street, Buffalo, NY 14203 USA
800-238-4120 | www.litelab.com

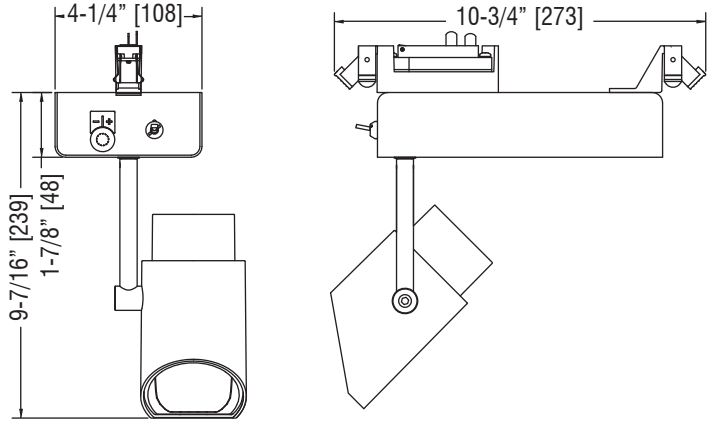


Fitter Guide

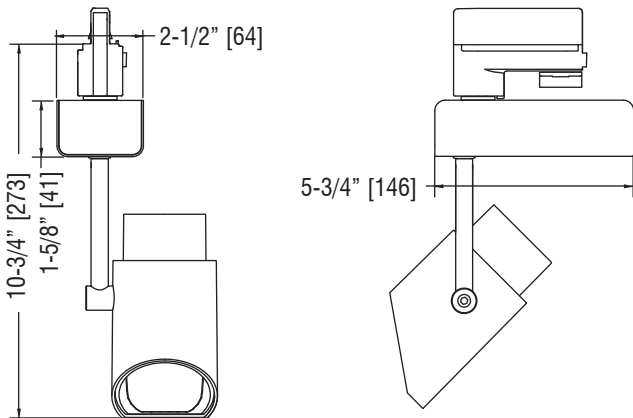
9TC* - 120/240/277v Recessed BusRun Fitter - ELV Dimmable Only - 1%



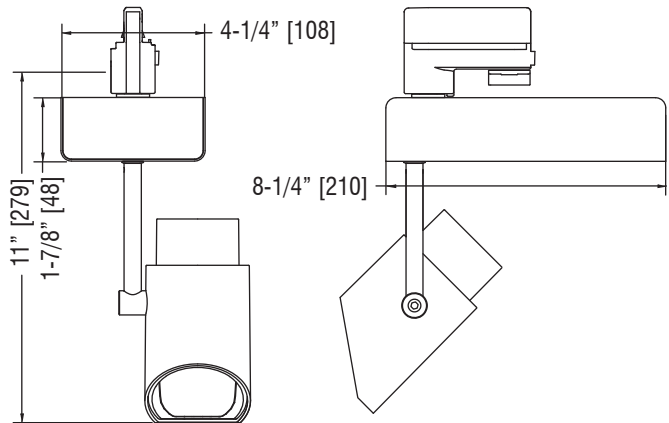
Universal Voltage Fitter, Available with an optional Switch and Rotation Lock or Potentiometer - Dimmable to 1%. Switch not available for 277 V.



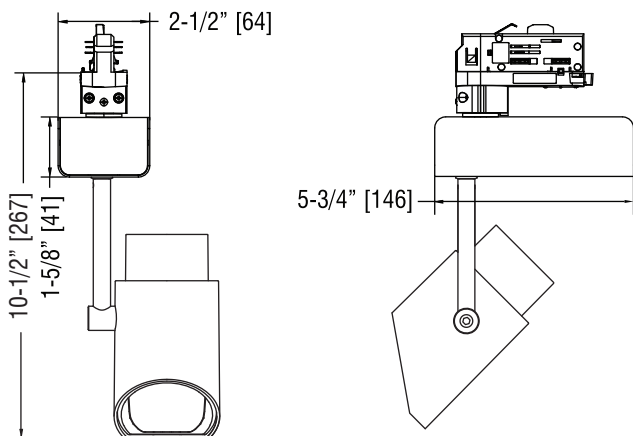
Stucchi - 2-Circuit ELV Dimmable Fitter



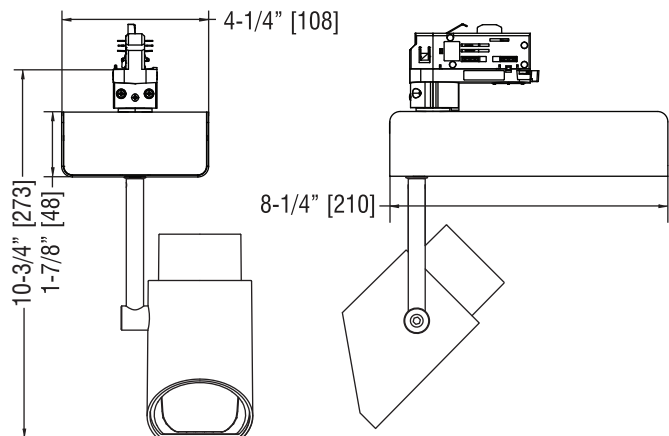
Stucchi - 2-Circuit 0-10V, DMX and Dali Dimmable Fitter



Stucchi - 3-Circuit ELV Dimmable Fitter

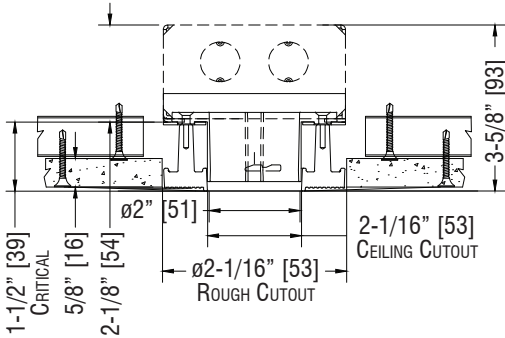


Stucchi - 3-Circuit 0-10V, DMX and Dali Dimmable Fitter



Fitter Guide

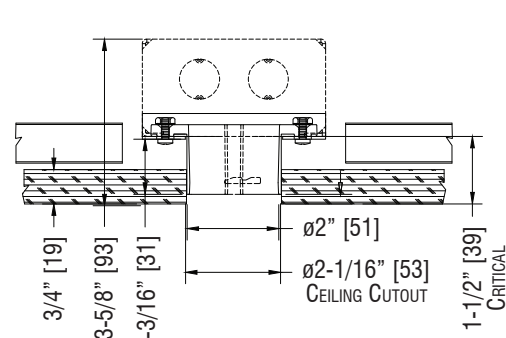
-7L - 2" Dia. Quick Connect Canopy - Gypsum*



-7 Remote Driver
(1) 4" sq x 2-1/8"
J-Box

* QC-7K-GYP-P/MB
Canopy Mount ordered
separately.

-7L - 2" Dia. Quick Connect Canopy - Wood**

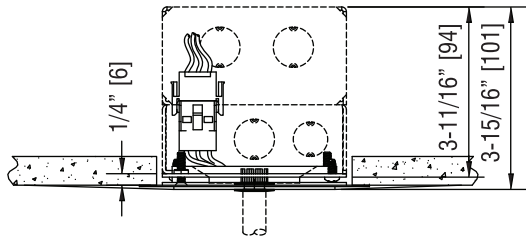


-7 Remote Driver
(1) 4" sq x 2-1/8"
J-Box

** QC-7K-WD-MB Canopy
Mount ordered separately.

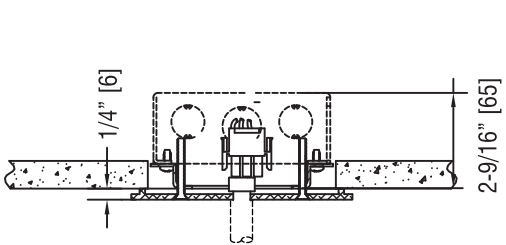
-5L - 3-1/2" Dia. Quick Connect Canopy

QC-5K-P/MB Canopy Mounted Ordered Separately

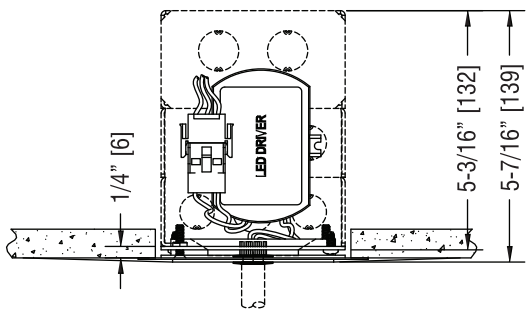


-5 Remote Driver
(1) 4" sq x 2-1/8"
J-Box
(1) 4" sq x 1-1/2"
Extension Box

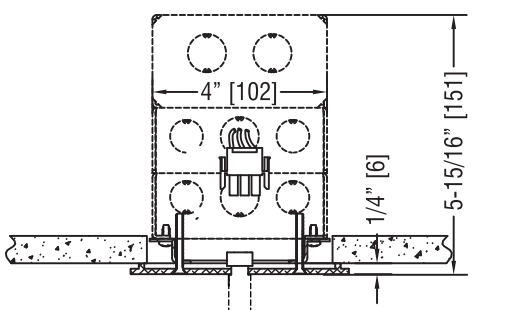
-3L - 5" Dia. x 1/4" H. Machined Canopy



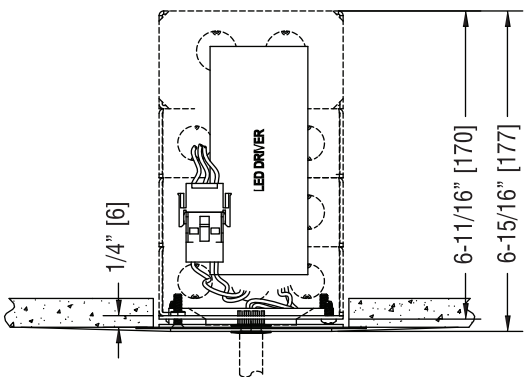
-3 Remote Driver
(1) 4" sq x 1-1/2"
Extension Box



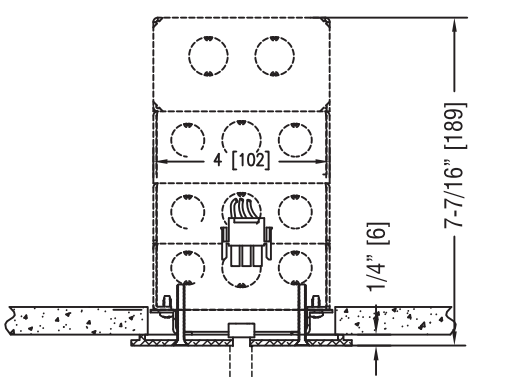
-5L ELV Driver
(1) 4" sq x 2-1/8"
J-Box
(2) 4" sq x 1-1/2"
Extension Box



-3L ELV Driver
(1) 4" sq x 2-1/8"
J-Box
(2) 4" sq x 1-1/2"
Extension Box



**-5L 0-10v, DALI
and DMX Driver**
(1) 4" sq x 2-1/8"
J-Box
(3) 4" sq x 1-1/2"
Extension Box



**-3L 0-10v, DALI
and DMX Driver**
(1) 4" sq x 2-1/8"
J-Box
(3) 4" sq x 1-1/2"
Extension Box

J-Boxes Supplied by Others

A3W

Xicato
Static White
Wallwasher

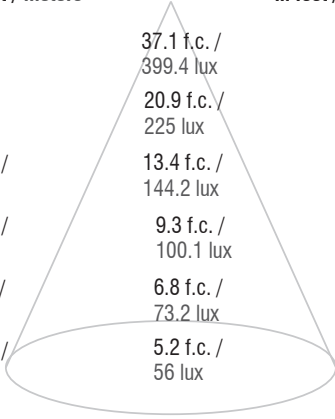
Project Name

Type

Photometrics

A3W-L20 Wallwash

Mounting Height in feet / meters	FC / Lux	Beam Diameter in feet / meters
6.0' / 1.8m	37.1 f.c. / 399.4 lux	4.3' / 1.3m
8.0' / 2.4m	20.9 f.c. / 225 lux	5.7' / 1.7m
10.0' / 3.0m	13.4 f.c. / 144.2 lux	7.2' / 2.2m
12.0' / 3.7m	9.3 f.c. / 100.1 lux	8.6' / 2.6m
14.0' / 4.3m	6.8 f.c. / 73.2 lux	10.1' / 3.1m
16.0' / 4.9m	5.2 f.c. / 56 lux	11.5' / 3.5m

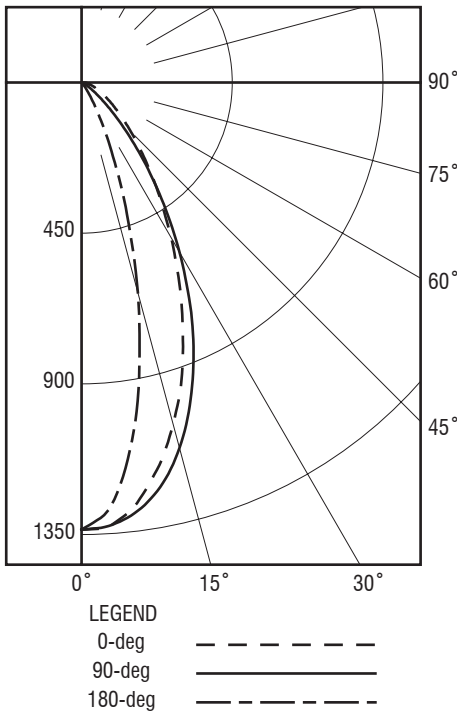


CBCP:	See Candela Distribution		
Efficacy:	46.9 lm/w		
Delivered Lumens:	1027 lm		
Plane:	0°	90°	180°
Spacing Criteria:	0.79	0.85	0.4937.1

CANDELA DISTRIBUTION

	0.0	45.0	90.0	135.0	180.0	FLUX
0	1335	1335	1335	1335	1335	
5	1309	1322	1316	1264	1229	119
15	1056	1156	1130	811	649	273
25	702	848	780	334	180	275
35	397	489	405	86	26	188
45	209	219	147	9	2	95
55	110	88	39	1	0	42
65	57	38	8	0	0	20
75	29	18	2	0	0	9
85	13	6	0	0	0	4
90	7	3	0	0	0	0
95	4	2	0	0	0	1
105	1	1	0	0	0	0
115	0	0	0	0	0	0
125	0	0	0	0	0	0
135	0	0	0	0	0	0
145	0	0	0	0	0	0
155	0	0	0	0	0	0
165	0	0	0	0	0	0
175	0	0	0	0	0	0
180	0	0	0	0	0	0

A3W-L20 Wallwash- Polar Diagram



Accessories

CUSTOM DISTRIBUTION FILMS AVAILABLE ON REQUEST.

SIZE CODE G: 2.529" [64MM]

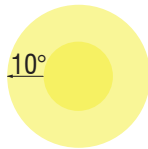
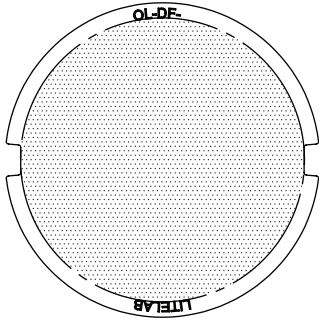
OL-DF-G (DIFFUSION FILM)

DIFFUSION FILM: 0.25MM (0.01") FILM SOFTENS BEAM EDGES (FOR USE WITH MULTIPLE MEDIA)

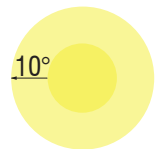
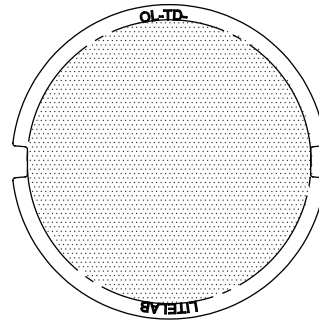
OL-TD-G (POLYCARBONATE DIFFUSION LENS)

DIFFUSION FILM: 3MM (0.1") TEXTURED LENS SOFTENS BEAM EDGES (FOR STANDALONE USE)

DISTRIBUTION DIAGRAM



DISTRIBUTION DIAGRAM



OL-30x60-G (UNIVERSAL SPREAD LENS - INCLUDED)

UNIVERSAL SPREAD LENS: 3MM (0.1") LENS SPREADS LIGHT UNIVERSALLY FOR WIDER DISTRIBUTION

DISTRIBUTION DIAGRAM

