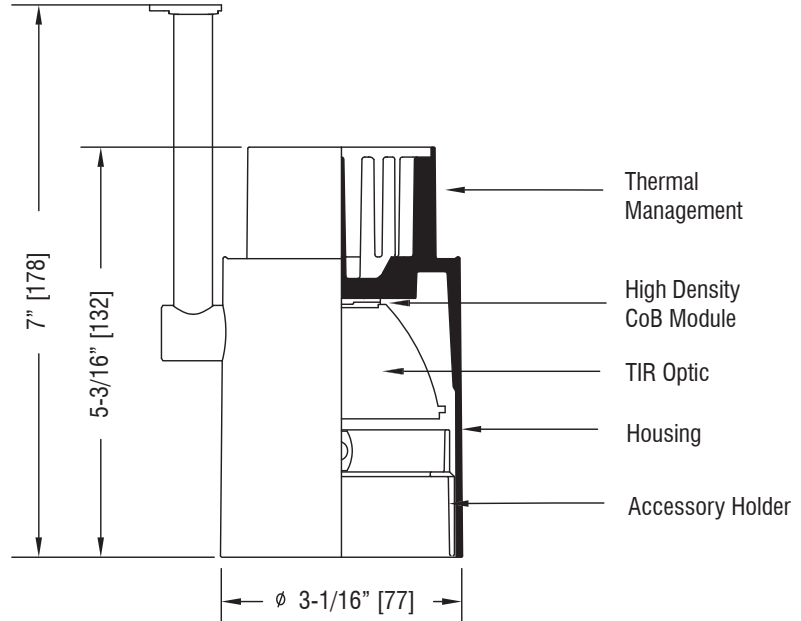


# A3S

Static White  
6° Narrow Spot

Project Name

Type



### Input Requirements

835 Lumens	120 VAC/0.2A/21W
	240 VAC/0.1A/21W
	277 VAC/0.1A/21W
650 Lumens	120 VAC/0.2A/15W
	240 VAC/0.1A/15W
	277 VAC/0.1A/15W

Enter Catalog Number Sequentially from Left to Right

A3S -  -  -

Model	Lumens/CRI	CCT	Adaptor	Dimming	Level	Options	Voltage	Finish	Optics
A3S	L08 835/90	27 2700	9TC BusRun Clipless	E	ELV 1	P* Potentiometer	A 120	P White	6 6°
	L06 650/90	30 3000	9TD BusRun Deep			R** Rotation Lock	D 240	MB Black	
		35 3500	9TS BusRun Shallow			SP* Switch w/ Potentiometer	F* 240	BR Brushed	
		40 4000				SR** Switch w/ Rotation Lock	C 277	CP Custom	
			9HC BusRun Clipless w/ Driverbox	E	ELV 0 10%	<p>* Potentiometers are available on ELV dimmable or non-dimming circuits only.</p> <p>** Rotation Lock and type "F" voltage are exclusive to 9T fitters. Rotation Lock is not available with Potentiometer.</p>			
			9HD BusRun Deep w/ Driverbox	W	Wire-less C Casambi A Avi-On Z Zigbee T Athena RF				
			9HS BusRun Shallow w/ Driverbox						
			ST2 2-Circuit Stucchi	E	ELV 0 10%	<p>ENTER RAL OR OTHER FINISH CODE</p>			
			ST3 3-Circuit Stucchi	Z	0-10 D Dark				
			3L 5" Canopy	M	DMX				
			5L 3.5" QC Canopy	D	DALI				
			7L 2" QC Canopy (Remote Driver Only)						

### Flush Fit BusRun Adaptor

Litelab's flush fit BusRun adaptor recesses entirely inside BusRun to provide a clean aesthetic. It is available with a Switch and Rotation Lock or On-Board Potentiometer for individual fixture dimming. BusRun fitters are available dimmable to 1% and can be dimmed proportionally using an ELV dimming system.

### Dimming Note

This fixture is provided with LED Drivers suitable for the dimming protocol specified. Dimming performance may vary based on dimmer model or system being used. If exact dimming performance is required, Litelab recommends testing the Litelab fixture with the specified dimmer.

### Accessories: See Page 5

- OL-DF-g Beam Softening Film
- OL-TD-g Beam Softening Lens
- OL-10x40-g Linear Spread Lens
- OL-10x60-g Linear Spread Lens
- OL-30x60-g Universal Spread Lens
- LVH/g Hexell Louver

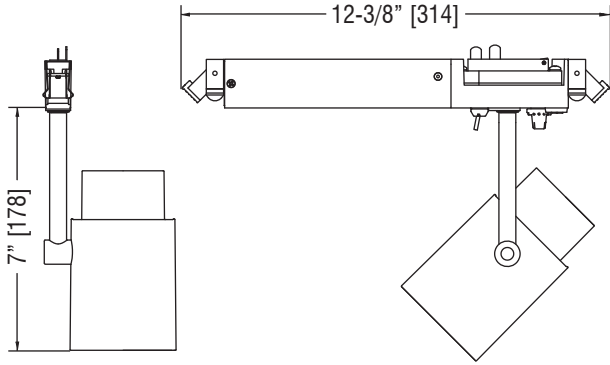


251 Elm Street, Buffalo, NY 14203 USA  
800-238-4120 | www.litelab.com



## Fitter Guide

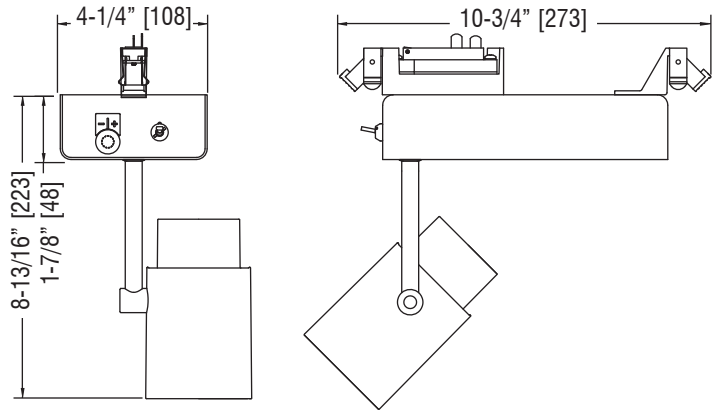
### 9TC\* - 120/240/277v Recessed BusRun Fitter - ELV Dimmable Only - 1%



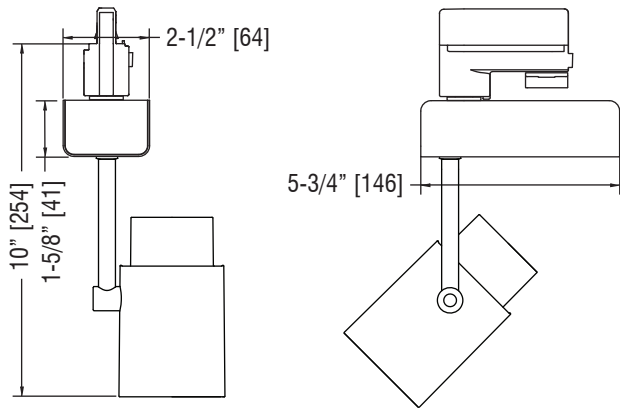
Universal Voltage Fitter, Available with an optional Switch and Rotation Lock or Potentiometer - Dimmable to 1%.

Switch not available for 277 V.

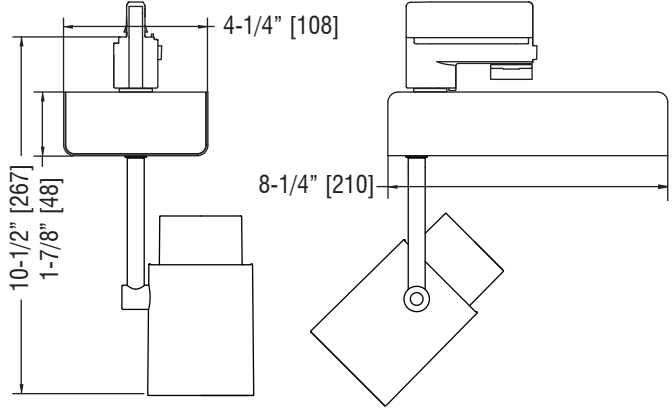
### 9H - Wireless Control Fitter for BusRun



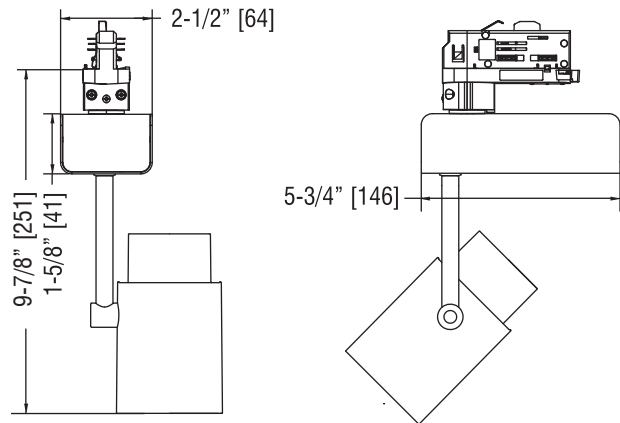
### Stucchi - 2-Circuit ELV & 0-10V Dimmable Fitter



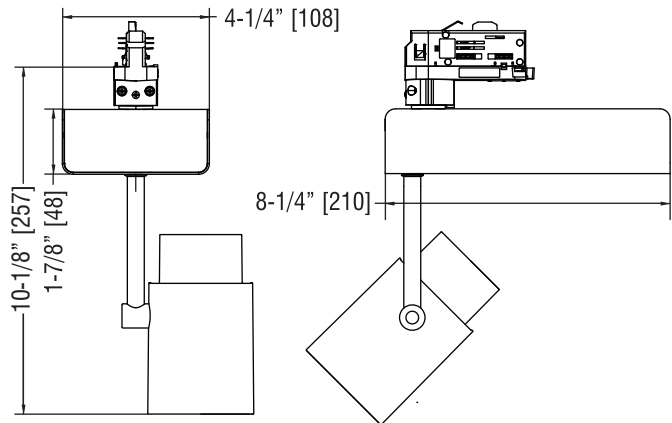
### Stucchi - 2-Circuit 0-10V, DMX and Dali Dimmable Fitter



### Stucchi - 3-Circuit ELV Dimmable Fitter

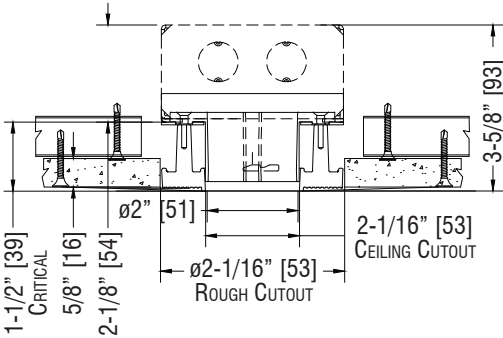


### Stucchi - 3-Circuit 0-10V, DMX and Dali Dimmable Fitter



Fitter Guide

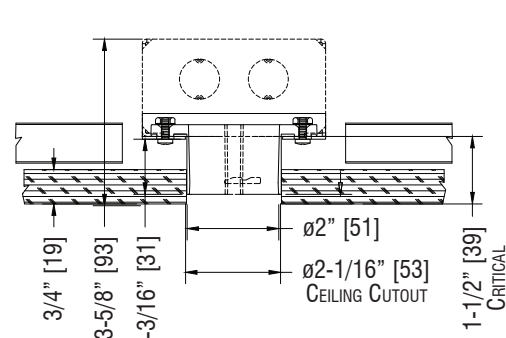
**-7L - 2" Dia. Quick Connect Canopy - Gypsum\***



**-7 Remote Driver**  
(1) 4" sq x 2-1/8"  
J-Box

\* QC-7K-GYP-P/MB  
Canopy Mount ordered  
separately.

**-7L - 2" Dia. Quick Connect Canopy - Wood\*\***

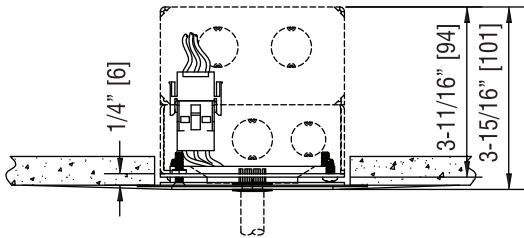


**-7 Remote Driver**  
(1) 4" sq x 2-1/8"  
J-Box

\*\* QC-7K-WD-MB Canopy  
Mount ordered separately.

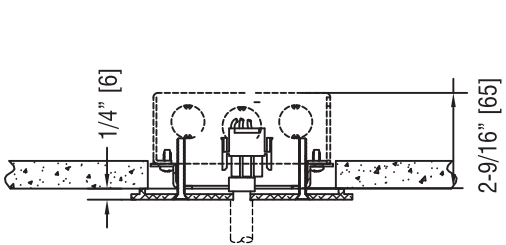
**-5L - 3-1/2" Dia. Quick Connect Canopy**

QC-5K-P/MB Canopy Mounted Ordered Separately

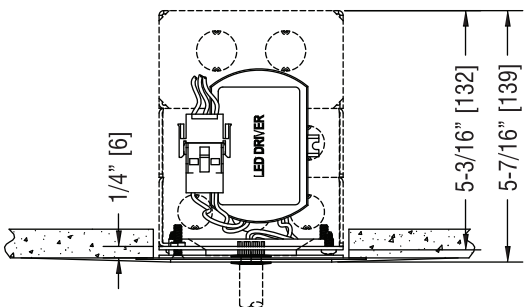


**-5 Remote Driver**  
(1) 4" sq x 2-1/8"  
J-Box  
(1) 4" sq x 1-1/2"  
Extension Box

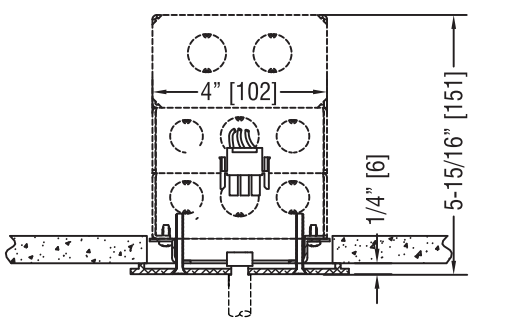
**-3L - 5" Dia. x 1/4" H. Machined Canopy**



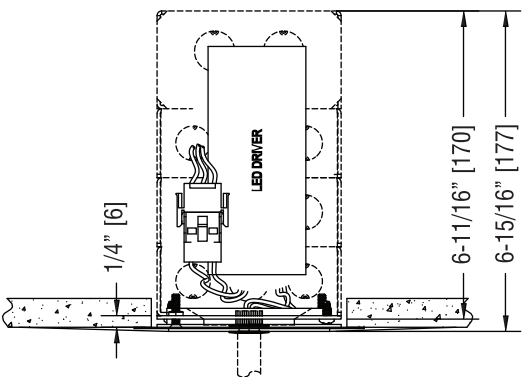
**-3 Remote Driver**  
(1) 4" sq x 1-1/2"  
Extension Box



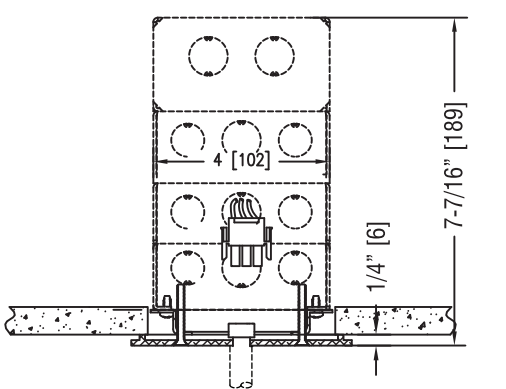
**-5L ELV Driver**  
(1) 4" sq x 2-1/8"  
J-Box  
(2) 4" sq x 1-1/2"  
Extension Box



**-3L ELV Driver**  
(1) 4" sq x 2-1/8"  
J-Box  
(2) 4" sq x 1-1/2"  
Extension Box



**-5L 0-10v, DALI  
and DMX Driver**  
(1) 4" sq x 2-1/8"  
J-Box  
(3) 4" sq x 1-1/2"  
Extension Box



**-3L 0-10v, DALI  
and DMX Driver**  
(1) 4" sq x 2-1/8"  
J-Box  
(3) 4" sq x 1-1/2"  
Extension Box

J-Boxes Supplied by Others

# A3S Static White 6° Narrow Spot

Project Name

Type

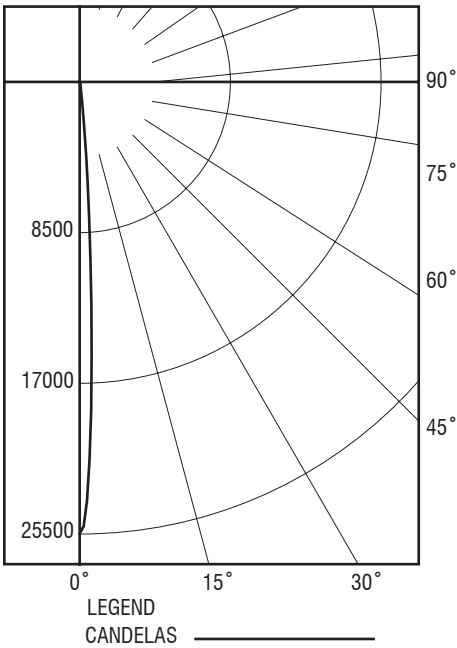
## Photometrics

### A3S-L06 6° Narrow Spot

Mounting Height in feet / meters	FC / Lux	Diameter in feet / meters
6.0' / 1.8m	707.8 f.c. / 7,618.7 lux	1.6' / 0.5m
8.0' / 2.4m	398.1 f.c. / 4,285.1 lux	2.1' / 0.6m
10.0' / 3.0m	254.8 f.c. / 2,742.6 lux	2.6' / 0.8m
12.0' / 3.7m	177.0 f.c. / 1,905.2 lux	3.2' / 1.0m
14.0' / 4.3m	130.0 f.c. / 1,399.3 lux	3.7' / 1.1m
16.0' / 4.9m	99.5 f.c. / 1,071.0 lux	4.2' / 1.3m

CBCP:	24,481 Cd
Efficacy:	40.8 lm/w
Delivered Lumens:	416 lm

### A3S-L06 6° Narrow Spot - Polar Diagram



Accessories

**FIXTURE SIZE CODE (G): Ø2.529" [64mm]**

CUSTOM DISTRIBUTION FILMS AVAILABLE ON REQUEST.

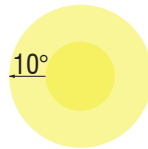
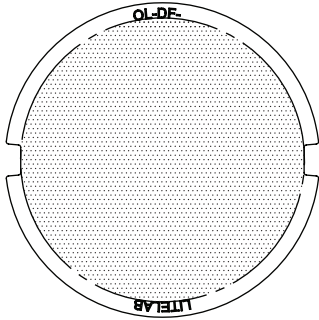
**OL-DF-G (DIFFUSION FILM)**

*DIFFUSION FILM: 0.25MM (0.01") FILM SOFTENS BEAM EDGES (FOR USE WITH MULTIPLE MEDIA)*

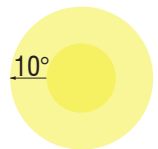
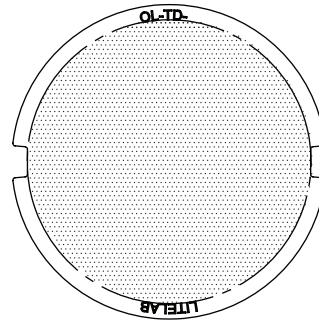
**OL-TD-G (POLYCARBONATE DIFFUSION LENS)**

*DIFFUSION FILM: 3MM (0.1") TEXTURED LENS SOFTENS BEAM EDGES (FOR STANDALONE USE)*

DISTRIBUTION DIAGRAM



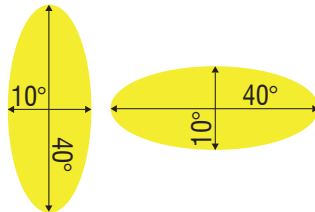
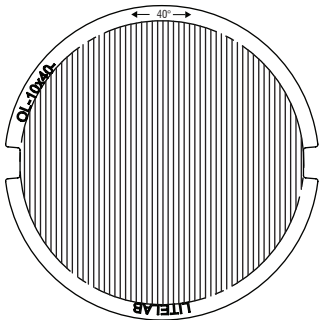
DISTRIBUTION DIAGRAM



**OL-10x40-G (LINEAR SPREAD LENS)**

*40° LINEAR SPREAD LENS: 3MM (0.1") ELLIPTICAL SPREAD FOR LONG / LINEAR OBJECTS*

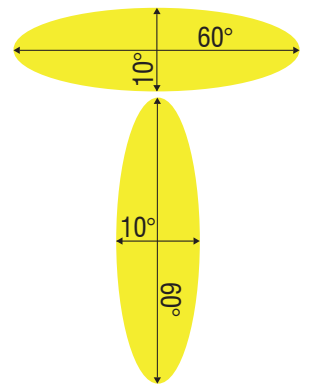
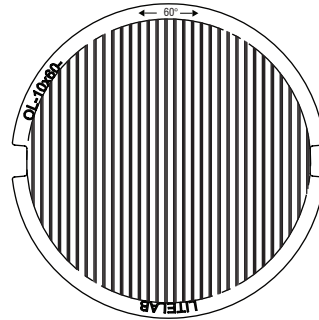
DISTRIBUTION DIAGRAM



**OL-10x60-G (LINEAR SPREAD LENS)**

*60° LINEAR SPREAD LENS: 3MM (0.1") ELLIPTICAL SPREAD FOR LONG / LINEAR OBJECTS*

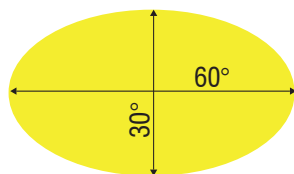
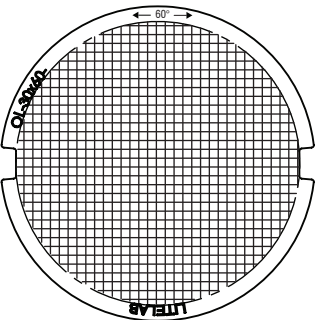
DISTRIBUTION DIAGRAM



**OL-30x60-G (UNIVERSAL SPREAD LENS - INCLUDED)**

*UNIVERSAL SPREAD LENS: 3MM (0.1") LENS SPREADS LIGHT UNIVERSALLY FOR WIDER DISTRIBUTION*

DISTRIBUTION DIAGRAM



**LVH/G (HEXCELL LOUVER)**

*HEXCELL LOUVER: 3MM (0.1") MATTE BACK FINISH, 45° GLARE CUTOFF FOR VISUAL COMFORT*

