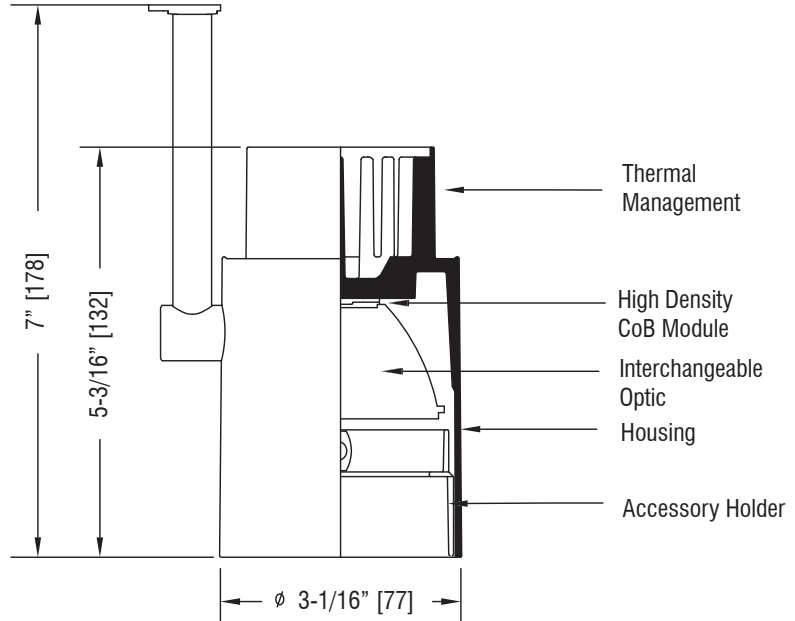


A30

Xicato
Static White
Fixed Object

Project Name

Type



Input Requirements

2000 Lumens	120VAC/0.3A/27W
	240VAC/0.2A/30W
	277VAC/0.1A/31W
1400 Lumens	120VAC/0.2A/18W
	240 VAC/0.1A/19W
	277 VAC/0.1A/19W

Enter Catalog Number Sequentially from Left to Right

A30 - - -

Model	Lumens/CRI	CCT	Adaptor	Dimming	Level	Options	Voltage	Finish	Optics	
A30	L20	2000/95	27	2700	9TC BusRun Clipless	E ELV 1 1%	P* Potentiometer	A 120	P White	2 20°
	L14	1400/95	30	3000	9TD BusRun Deep	W Wire- less	R** Rotation Lock	D 240	MB Black	4 40°
			35	3500	9TS BusRun Shallow		SP* Switch w/ Potentiometer	F* 240	BR Brushed	6 60°
			40	4000			(2-Circuit)	CP Custom		
					SR** Switch w/ Rotation Lock		C 277			
			9HC BusRun Clipless w/ Driverbox	E ELV 0 10%						
			9HD BusRun Deep w/ Driverbox		C Casambi					
			9HS BusRun Shallow w/ Driverbox		A Avi-On					
					Z Zigbee					
					T Athena RF					
			ST2 2-Circuit Stucchi	E ELV 0 10%						
			ST3 3-Circuit Stucchi	Z 0-10 D Dark						
			3L 5" Canopy	M DMX 1 1%						
			5L 3.5" QC Canopy	D DALI						
			7L 2" QC Canopy (Remote Driver Only)							

* Potentiometers are available on ELV dimmable or non-dimming circuits only.
** Rotation Lock and type "F" voltage are exclusive to 9T fitters. Rotation Lock is not available with Potentiometer.



ENTER RAL OR OTHER FINISH CODE

- Optics:**
- 20° 21619-20
 - 40° 21619-40
 - 60° 21619-60

Flush Fit BusRun Adaptor

Litelab's flush fit BusRun adaptor recesses entirely inside BusRun to provide a clean aesthetic. It is available with a Switch and Rotation Lock or On-Board Potentiometer for individual fixture dimming. BusRun fitters are available dimmable to 1% and can be dimmed proportionally using an ELV dimming system.

Dimming Note

This fixture is provided with LED Drivers suitable for the dimming protocol specified. Dimming performance may vary based on dimmer model or system being used. If exact dimming performance is required, Litelab recommends testing the Litelab fixture with the specified dimmer.

- Accessories: See Page 5**
- OL-DF-g Beam Softening Film
 - OL-TD-g Beam Softening Lens
 - OL-10x40-g Linear Spread Lens
 - OL-10x60-g Linear Spread Lens
 - OL-30x60-g Universal Spread Lens
 - LVH/g Hexell Louver



251 Elm Street, Buffalo, NY 14203 USA
800-238-4120 | www.litelab.com



A30

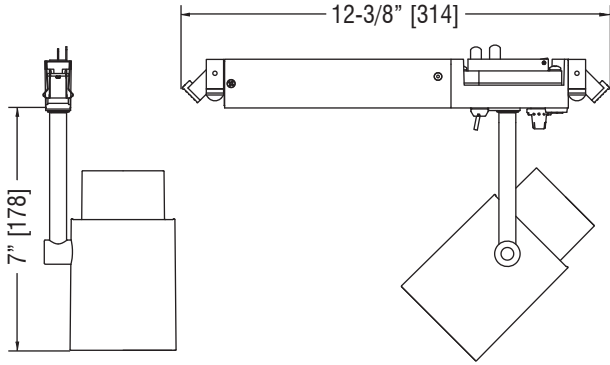
Xicato
Static White
Fixed Object

Project Name

Type

Fitter Guide

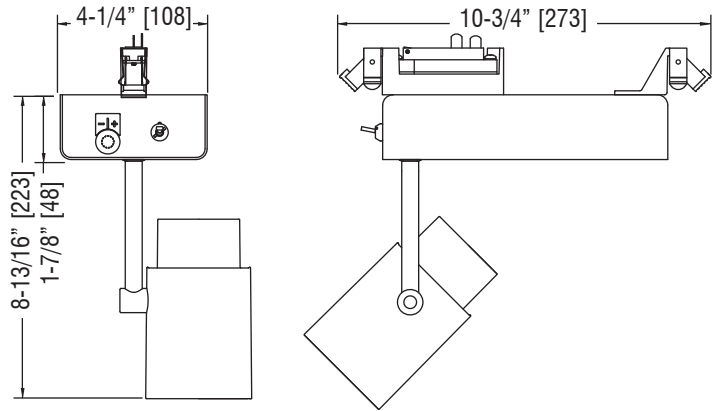
9TC* - 120/240/277v Recessed BusRun Fitter - ELV Dimmable Only - 1%



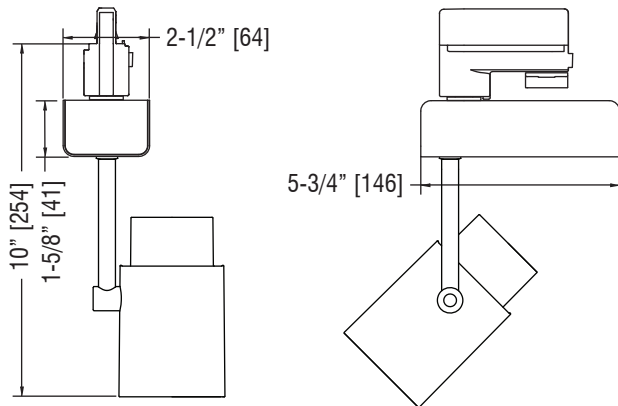
Universal Voltage Fitter, Available with an optional Switch and Rotation Lock or Potentiometer - Dimmable to 1%.

Switch not available for 277 V.

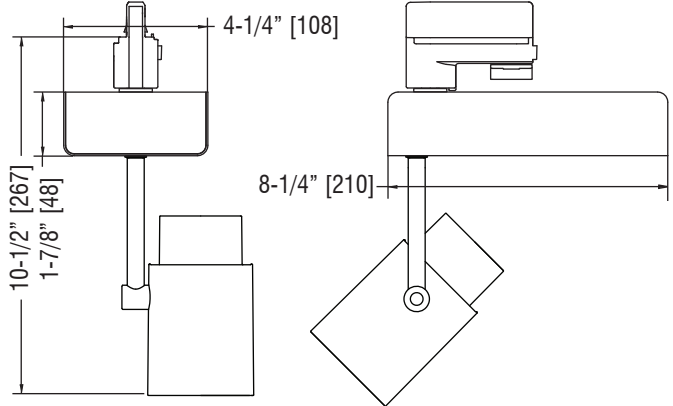
9H - Wireless Control Fitter for BusRun



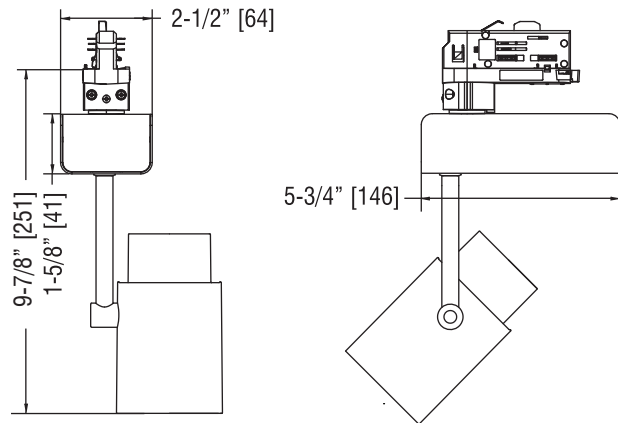
Stucchi - 2-Circuit ELV & 0-10V Dimmable Fitter



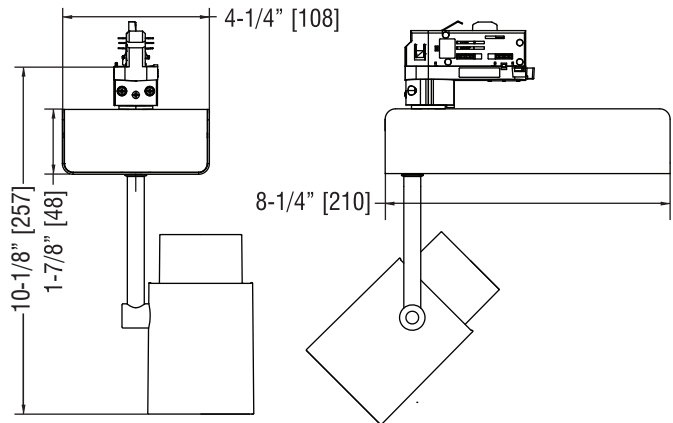
Stucchi - 2-Circuit 0-10V, DMX and Dali Dimmable Fitter



Stucchi - 3-Circuit ELV Dimmable Fitter



Stucchi - 3-Circuit 0-10V, DMX and Dali Dimmable Fitter



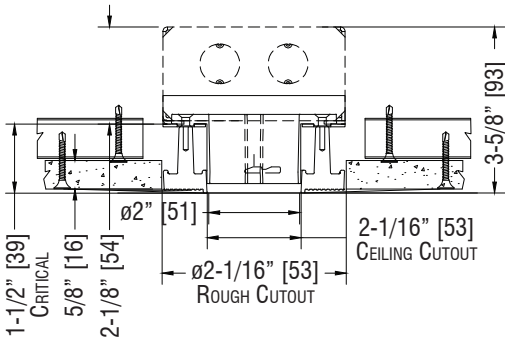
251 Elm Street, Buffalo, NY 14203 USA
800-238-4120 | www.litelab.com

* Covered under one or more of the following patents: US: 8,740,421 B2, D499, 698, D389,012, Republic of China: D149,379, People's Republic of China: ZL 201130358013.3, European Union: RCD #001920356-0001. Additional patents pending. **See fittings and accessories page for mounting options and accessories.



Fitter Guide

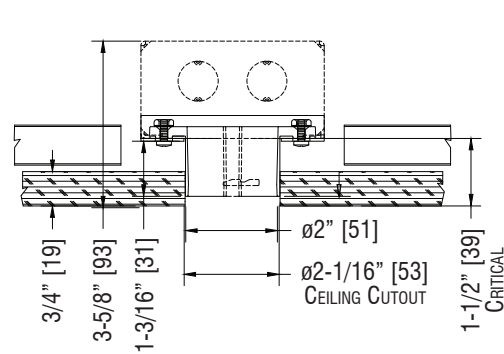
-7L - 2" Dia. Quick Connect Canopy - Gypsum*



-7 Remote Driver
(1) 4" sq x 2-1/8"
J-Box

* QC-7K-GYP-P/MB
Canopy Mount ordered
separately.

-7L - 2" Dia. Quick Connect Canopy - Wood**

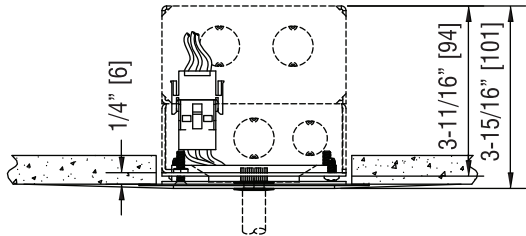


-7 Remote Driver
(1) 4" sq x 2-1/8"
J-Box

** QC-7K-WD-MB Canopy
Mount ordered separately.

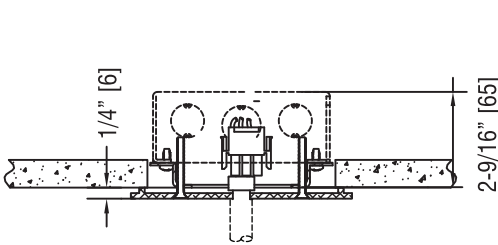
-5L - 3-1/2" Dia. Quick Connect Canopy

QC-5K-P/MB Canopy Mounted Ordered Separately

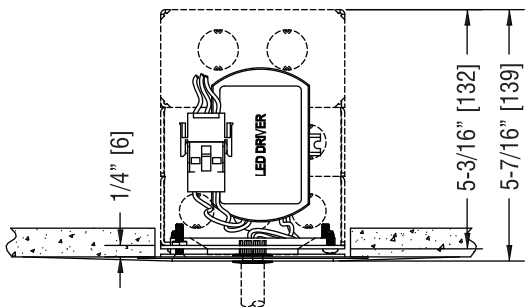


-5 Remote Driver
(1) 4" sq x 2-1/8"
J-Box
(1) 4" sq x 1-1/2"
Extension Box

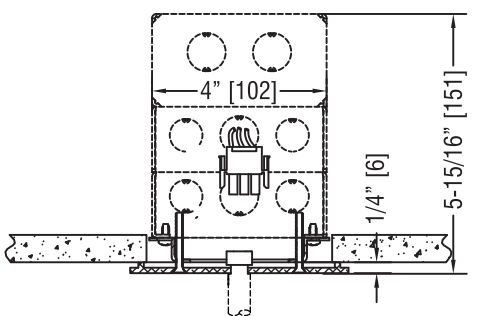
-3L - 5" Dia. x 1/4" H. Machined Canopy



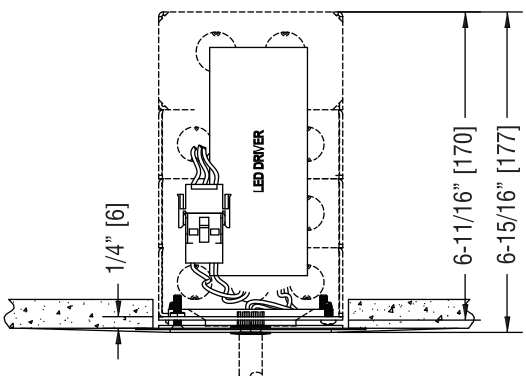
-3 Remote Driver
(1) 4" sq x 1-1/2"
Extension Box



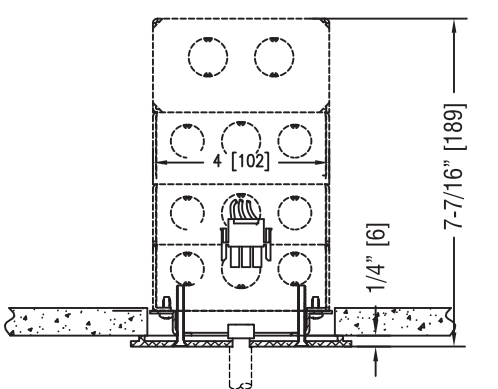
-5L ELV Driver
(1) 4" sq x 2-1/8"
J-Box
(2) 4" sq x 1-1/2"
Extension Box



-3L ELV Driver
(1) 4" sq x 2-1/8"
J-Box
(2) 4" sq x 1-1/2"
Extension Box



**-5L 0-10v, DALI
and DMX Driver**
(1) 4" sq x 2-1/8"
J-Box
(3) 4" sq x 1-1/2"
Extension Box



**-3L 0-10v, DALI
and DMX Driver**
(1) 4" sq x 2-1/8"
J-Box
(3) 4" sq x 1-1/2"
Extension Box

J-Boxes Supplied by Others

A30

Xicato
Static White
Fixed Object

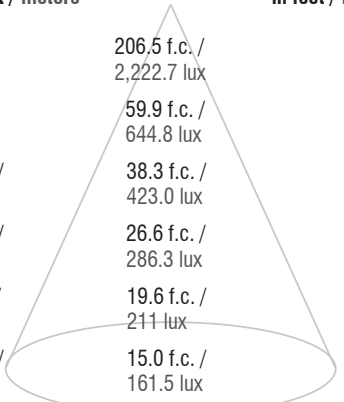
Project Name

Type

Photometrics

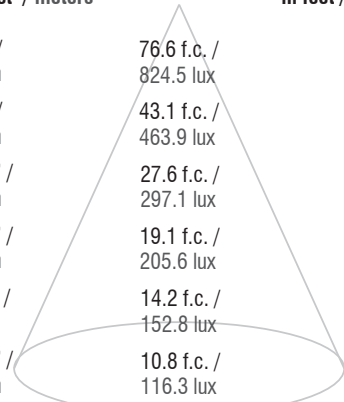
A30-L20 20° Optic (OL-NB-70MM)

Mounting Height in feet / meters	FC / Lux	Beam Diameter in feet / meters
6.0' / 1.8m	206.5 f.c. / 2,222.7 lux	2.4' / 0.73m
8.0' / 2.4m	59.9 f.c. / 644.8 lux	3.2' / 0.98m
10.0' / 3.0m	38.3 f.c. / 423.0 lux	4.0' / 1.22m
12.0' / 3.7m	26.6 f.c. / 286.3 lux	4.9' / 1.49m
14.0' / 4.3m	19.6 f.c. / 211 lux	5.7' / 1.74m
16.0' / 4.9m	15.0 f.c. / 161.5 lux	6.5' / 1.98m



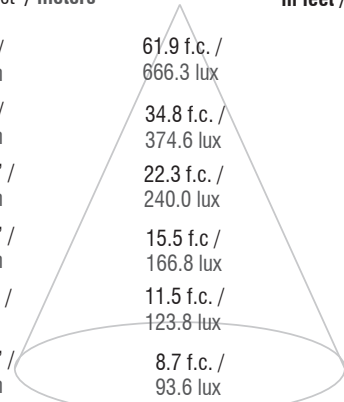
A30-L20 40° Optic (OL-MB-70MM)

Mounting Height in feet / meters	FC / Lux	Beam Diameter in feet / meters
6.0' / 1.8m	76.6 f.c. / 824.5 lux	3.8' / 1.16m
8.0' / 2.4m	43.1 f.c. / 463.9 lux	5.1' / 1.55m
10.0' / 3.0m	27.6 f.c. / 297.1 lux	6.4' / 1.95m
12.0' / 3.7m	19.1 f.c. / 205.6 lux	7.7' / 2.35m
14.0' / 4.3m	14.2 f.c. / 152.8 lux	9.0' / 2.74m
16.0' / 4.9m	10.8 f.c. / 116.3 lux	10.3' / 3.14m



A30-L20 60° Optic (OL-WB-70MM)

Mounting Height in feet / meters	FC / Lux	Beam Diameter in feet / meters
6.0' / 1.8m	61.9 f.c. / 666.3 lux	4.0' / 1.22m
8.0' / 2.4m	34.8 f.c. / 374.6 lux	5.3' / 1.62m
10.0' / 3.0m	22.3 f.c. / 240.0 lux	6.6' / 2.01m
12.0' / 3.7m	15.5 f.c. / 166.8 lux	8.0' / 2.44m
14.0' / 4.3m	11.5 f.c. / 123.8 lux	9.3' / 2.83m
16.0' / 4.9m	8.7 f.c. / 93.6 lux	10.6' / 3.23m



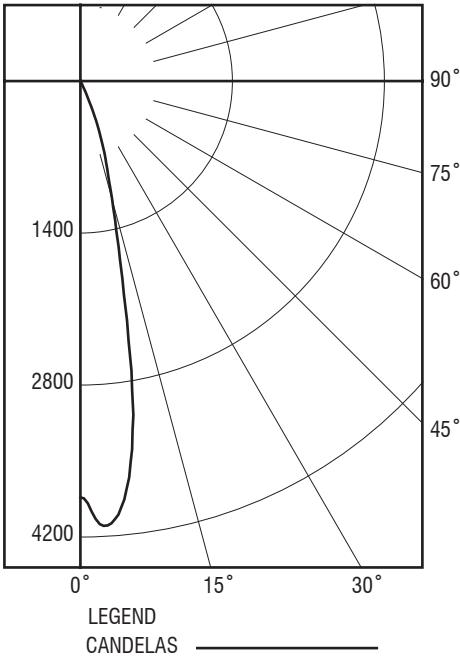
CBCP: 3,834 Cd
Efficacy: 30.5 lm/w
Delivered Lumens: 772 lm

CBCP: 2,757 Cd
Efficacy: 43.9 lm/w
Delivered Lumens: 1132 lm

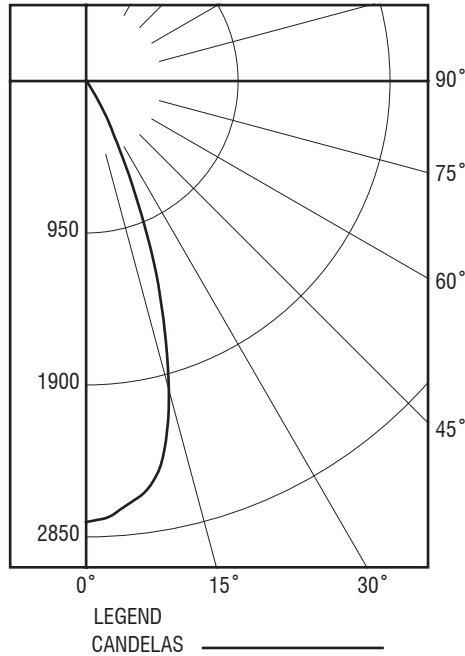
CBCP: 2,229 Cd
Efficacy: 37.3 lm/w
Delivered Lumens: 935 lm

For 1400 Lumens, use a derating value of 0.70

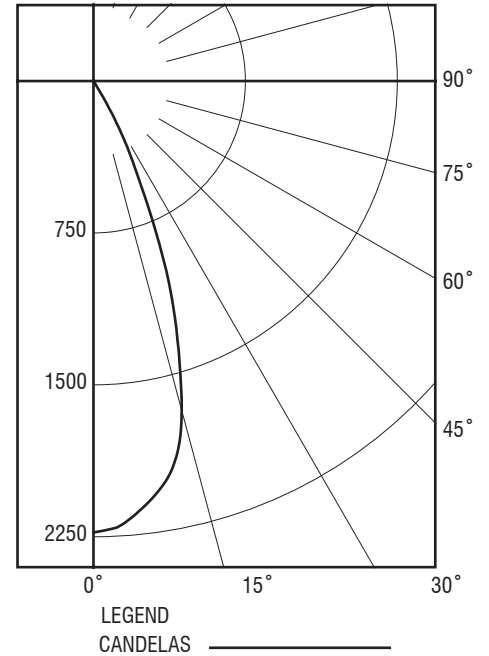
A30-L20 20° Optic - Polar Diagram



A30-L20 40° Optic - Polar Diagram



A30-L20 60° Optic - Polar Diagram



A30

Xicato
Static White
Fixed Object

Project Name

Type

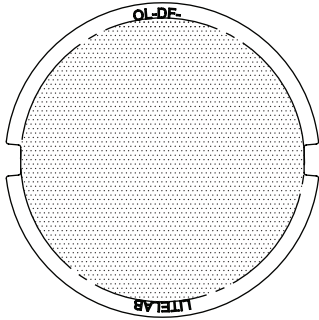
Accessories

FIXTURE SIZE CODE (G): Ø2.529" [64mm]

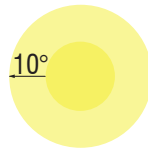
CUSTOM DISTRIBUTION FILMS AVAILABLE ON REQUEST.

OL-DF-G (DIFFUSION FILM)

DIFFUSION FILM: 0.25MM (0.01") FILM SOFTENS BEAM EDGES (FOR USE WITH MULTIPLE MEDIA)

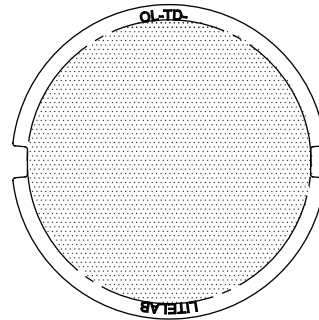


DISTRIBUTION DIAGRAM

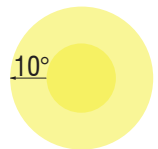


OL-TD-G (POLYCARBONATE DIFFUSION LENS)

DIFFUSION FILM: 3MM (0.1") TEXTURED LENS SOFTENS BEAM EDGES (FOR STANDALONE USE)

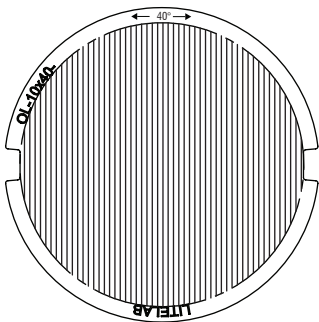


DISTRIBUTION DIAGRAM

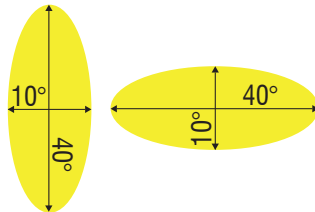


OL-10x40-G (LINEAR SPREAD LENS)

40° LINEAR SPREAD LENS: 3MM (0.1") ELLIPTICAL SPREAD FOR LONG / LINEAR OBJECTS

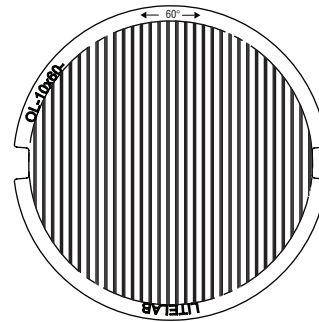


DISTRIBUTION DIAGRAM

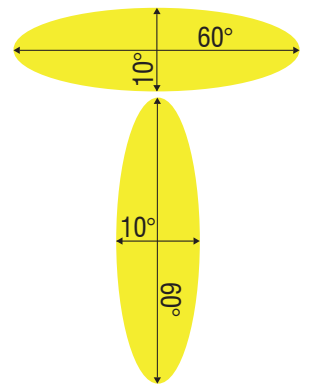


OL-10x60-G (LINEAR SPREAD LENS)

60° LINEAR SPREAD LENS: 3MM (0.1") ELLIPTICAL SPREAD FOR LONG / LINEAR OBJECTS

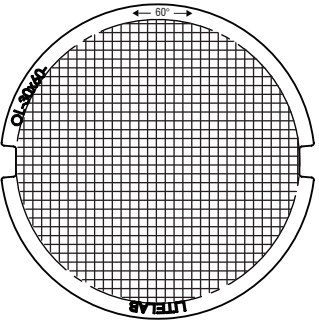


DISTRIBUTION DIAGRAM

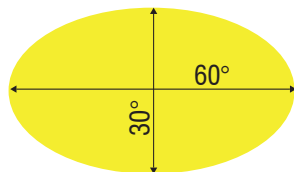


OL-30x60-G (UNIVERSAL SPREAD LENS - INCLUDED)

UNIVERSAL SPREAD LENS: 3MM (0.1") LENS SPREADS LIGHT UNIVERSALLY FOR WIDER DISTRIBUTION



DISTRIBUTION DIAGRAM



LVH/G (HEXCELL LOUVER)

HEXCELL LOUVER: 3MM (0.1") MATTE BACK FINISH, 45° GLARE CUTOFF FOR VISUAL COMFORT

